

## Electromotoric actuator

SSF161.05HF, SSB161.05HF, SSC161.05HF



### For pressure independent zone valves, small globe valves and 3-party valves

- Operating voltage AC/DC 24 V, positioning signal DC 0...10 V
  - Self calibrating to the valve stroke
  - Direct mounting with coupling nut, no tools required
  - Manually adjustable, position and actuator motion indication (LED)
  - SSF161.05HF, SSB161.05HF: Positioning force 200 N
  - SSC161.05HF: Positioning force 300 N
  - Parallel operation of multiple actuators possible
  - Removable cable, standard length 1.5 m
- Optional: Cable length 3 m and 6 m, Halogen-free cables

## Use

- For small valves 2W..K., 3W., 4W.: compatible with SSF161.05HF
- For zone valves VVP., VXP., VMP.: compatible with SSF161.05HF, SSB161.05HF, SSC161.05HF
- For Landis & Gyr valves VVG., VXG.: compatible with SSC161.05HF
- Typically in chilled ceiling, VAV and fan coil unit applications
- Max.10 units of SSF161.05HF, SSB161.05HF, SSC161.05HF can operate in parallel, provided the controller output suffices.

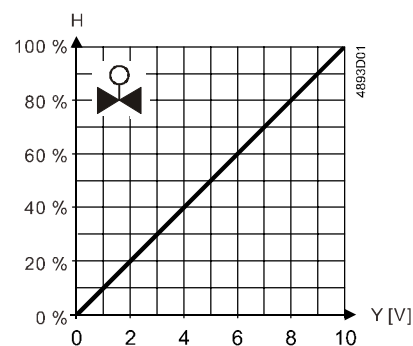
## Technical design

When the actuator is driven by DC 0...10 V positioning signal, it produces a stroke, which is transmitted to the valve stem. This is converted to mechanical stroke which controls the position of valve stem.

If not specifically stated, the description of operation in this document applies to valve versions that are fully closed when valve stem is extended / no actuator is mounted.

### DC 0...10 V positioning signal


- The valve opens / closes in proportion to the positioning signal at Y.
- At DC 0 V, actuator stem is retracted, the normally closed valve is fully closed and the normally open valve is fully closed.
- When no power, the actuator maintains its current position.
- This actuator provides a DC 0...10 V position feedback signal proportional to the stroke of the actuator stem.



Y = Positioning signal Y [V]

H = Percentage of calibrated valve stroke

### LED indication

Status	LED indication patterns
Variants	SSF161.05HF, SSB161.05HF, SSC161.05HF 
Modulation: Stem retracting	Flashing green in sequence: LED1-->LED2-->LED3 (500 ms each)
Modulation: Stem extending	Flashing green in sequence: LED3-->LED2-->LED1 (500 ms each)
Stem position	At H0 (fully extended) - H40: Constant green (LED1) At H40 - H60: Constant green (LED 2) At H60 - H100 (fully retracted): Constant green (LED3)
Calibration	Flashing green (LED2): 100 ms on, 100 ms off
Error *	Constant red (LED2)
Manual operation	Flashing green/red alternatively (LED2): Green 500 ms, red 500 ms

\* Hint: Error caused by mechanical jam or calibration failure. Calibration or power reset required.

## Type summary

Type	Stock number	Operating voltage	Running speed	Nominal force	Stroke range	Positioning signal	Actuator characteristic	Cable length	Connection nut
SSF161.05HF	S55180-A131	AC/DC 24 V	5 s/mm	200 N	1.2...6.5 mm	DC 0...10 V	Linear	1.5 m	M30x1.5, plastic
SSB161.05HF	S55180-A134	AC/DC 24 V	5 s/mm	200 N	1.2...6.5 mm	DC 0...10 V	Linear	1.5 m	¾", plastic
SSC161.05HF	S55155-A101	AC/DC 24 V	5 s/mm	300 N	1.2...6.5 mm	DC 0...10 V	Linear	1.5 m	¾", metal

## Accessories

Type	Stock number	Description	Voltage [V]	Number of wires	Cable length [m]
ASY161L15	S55845-Z266	5x0.34	24	5	1.5
ASY161L30	S55845-Z267	5x0.34	24	5	3
ASY161L60	S55845-Z268	5x0.34	24	5	6
ASY161L15HF	S55845-Z269	5x0.34 Halogenfree	24	5	1.5
ASY161L30HF	S55845-Z270	5x0.34 Halogenfree	24	5	3
ASY161L60HF	S55845-Z271	5x0.34 Halogenfree	24	5	6

## Ordering

When ordering, specify both type and quantity.

Example:

Type	Stock number	Designation	Quantity
SSF161.05HF	S55180-A131	Electromotoric actuator	2

## Delivery

Valves and actuators can be ordered assembled in the factory or ordered separately. For easier valve assembly, actuators ordered separately have the actuator stem fully retracted.

**SSF161.05HF combinable with the following valves**

Type reference	Valve type	K <sub>vs</sub> [m <sup>3</sup> /h]	PN class	Data sheet
VVP47..	2-port valves	0.25...4.0	PN 16	N4847
VXP47..	3-port valves	-		N4847
VMP47..	3-port valves with T-bypass	0.25...2.5		N4847
2W...K...	2-port valves	0.6...2.5		N4846
3W...	3-port valves	0.6...4.0		N4846
4W...	3-port valves with T-bypass	0.6...2.5		N4846
Others	Valves (M30x1.5) from other manufacturers, without adapter	-	-	-

**SSB161.05HF combinable with the following valves**

Type reference	Valve type	K <sub>vs</sub> [m <sup>3</sup> /h]	PN class	Data sheet
VVP45..	2-port valves	0.25...6.3	PN 16	N4845
VVP45..S	2-port valves, for CONEX compression fittings	0.63...2.5		N4854
VXP45..	3-port valves	0.25...6.3		N4845
VMP45..	3-port valves with T-bypass	0.25...4.0		N4845
VMP45..S	3-port valves with T-bypass, for CONEX compression fittings	0.63...2.5		N4854

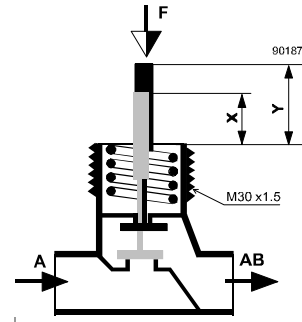
**SSC161.05HF combinable with the following valves**

Type reference	Valve type	K <sub>vs</sub> [m <sup>3</sup> /h]	PN class	Data sheet
VVP45..	2-port valves	0.25...25	PN 16	N4845
VVP45..S	3-port valves	0.25...25		N4854
VMP45..	3-port valves with T-bypass	0.25...4.0		N4845
VVG45.. <sup>1)</sup>	2-port valves	0.63...25		Retrofitting to former Landis & Gyr valves
VXG45.. <sup>1)</sup>	3-port valves	0.63...25		
X3i.. <sup>1)</sup>	3-port valves	0.7...14		

<sup>1)</sup> With ASK30 mounting kit

**Note:** To ensure trouble-free operation of third-party valves with the actuator, the valves must satisfy the following requirements:

- Threaded connections with coupling nut:
  - SSF161.05HF: M30×1.5
  - SSC161.05HF, SSB161.05HF: ¾"
- Nominal force:
  - SSF161.05HF, SSB161.05HF: > 200 N
  - SSC161.05HF: > 300 N
- Dimension X ≥ 8.3 mm
- Dimension Y ≤ 14.8 mm



## Controllers

Type	AC/DC 24 V
	DC 0...10 V
DXR2	DXR2..
RXB..	RXB39.1..

## Combinable room thermostats

Type	Detail
RDG..	RDG260, RDG264KN, RDG160T, RDG160KN
RDU..	RDU340
RCU..	RCU50..

## Product documentation

Topic	Title	Document ID
Mounting and installation	Mounting instructions	A6V13122035
Standards and directives	CE declarations	A5W00254962A
	RCM conformity	A5W00254983A
Environmental compatibility	Environmental declarations for SSB161.05HF, SSC161.05HF, SSF161.05HF	A5W00242127A

Related documents such as environmental declarations, CE declarations, etc., can also be downloaded at the following Internet address:

[www.siemens.com/bt/download](http://www.siemens.com/bt/download)

## Notes

### Engineering

The actuators must be electrically connected in accordance with local regulations (see "Connection diagrams [► 13]").

## ⚠ CAUTION



### National safety regulations

Failure to comply with national safety regulations may result in personal injury and property damage.

- Observe national provisions and comply with the appropriate safety regulations.

Observe permissible temperatures (see "Technical data [▶ 10]"). The connecting cable of the actuator may come into contact with the hot valve body, provided the temperature of the valve body does not exceed 80 °C.

## Mounting

## ⚠ WARNING

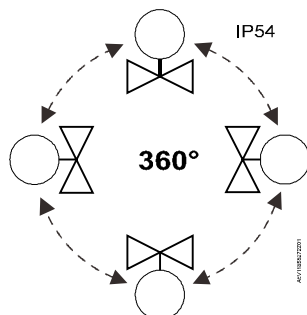


- Do not use pipe wrenches, spanners or similar tools.
- Avoid lateral pressure or (cable) tension on the mounted actuator!

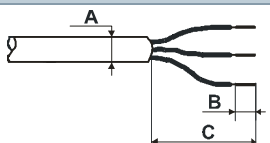
Valve and actuator are easy to assemble on site before commissioning:

- Remove protective cover from the valve body.
- Position the actuator and tighten the union nut manually.
- See "Mounting instructions" enclosed with the product package for graphical instructions.

### Orientation



## Installation

	A [mm]	B [mm]	C [mm]
	5.5	6.0	60
Crimp ferrule on stripped wire of connecting cable.			

- Observe all admissible temperatures (see "Technical data [▶ 10]").
- Do not twist the cable.
- Magnets can damage the actuator.
- Provide a means for isolation from the power supply, e.g., connecting a circuit breaker or switch fuse upstream of the control unit.

## ⚠ CAUTION



### National safety regulations

Failure to comply with national safety regulations may result in personal injury and property damage.

- Observe national provisions and comply with the appropriate safety regulations.

## ⚠ CAUTION



### Phase cut and pulse-duration-modulated (PDM) signals are not suitable.

Regulations and requirements to ensure the safety of people and property must be observed at all times!

## Commissioning

When commissioning, check both wiring and functioning of the actuator.

- Actuator stem extends      Normally open valve closes, normally closed valve opens
- Actuator stem retracts      Normally open valve opens, normally closed valve closes

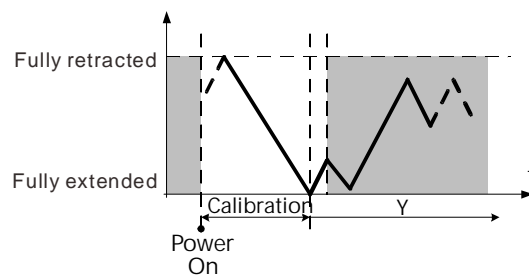
## NOTICE



The actuator must be commissioned only with a correctly mounted valve in place!

## Self-calibration

When operating voltage is applied, the actuator self-calibrates (fully retracted → fully extended → setpoint).



## ⚠ CAUTION



Never intervene manually during self-calibration.

## NOTICE



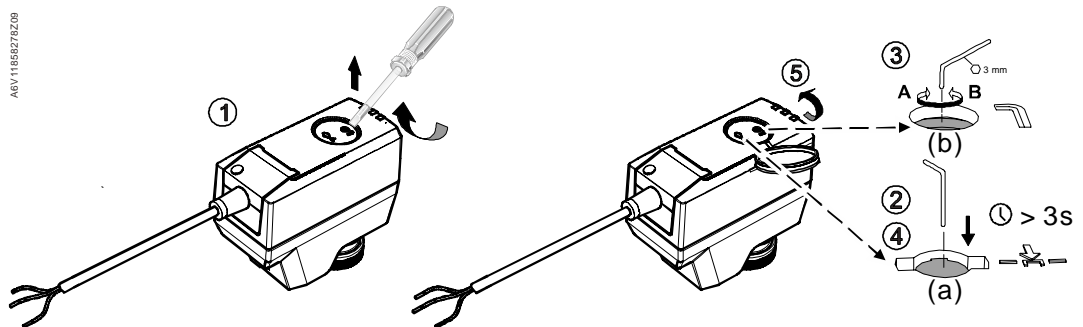
- Correct calibration is only possible with valve stroke > 1.2 mm. Valve stroke < 1.2 mm results in calibration failure.
- If calibration fails, the actuator performs another calibration automatically after 10 seconds.
- After three failed calibration attempts, the actuator stem remains in the extended position and the valves are closed.

## Manual operation

A 3-mm hexagonal wrench can be used to move the actuator to any position.

### To move the actuator stem manually

1. Open the cover using a proper screwdriver. Note that IP54 protection does not apply if the cover is open.
2. Press and hold down button (a) illustrated below for at least three seconds.
  - The actuator ignores any positioning signal from the controller.
3. Adjust the position of the actuator stem by rotating Allen wrench (b) illustrated below clockwise or anti-clockwise.
  - The actuator stem moves down if you rotate clockwise; it moves up if you rotate anti-clockwise. The manually set position is retained.
4. To exit manual operation mode, press and hold down button (a) illustrated below again for at least three seconds.
  - The actuator runs a self-calibration automatically. Positioning signal sent from the controller takes effect.
5. Close the cover to ensure IP54 protection.



## NOTICE



**If operating voltage is applied to actuator, press button (a) before and after manually adjusting the position of the actuator stem.** If no operating voltage and positioning signal are applied, manual operation can be done without pressing button (a).

## Maintenance

The actuators require no maintenance.

## ⚠ WARNING



**Operating voltage must be switched off during any site maintenance!**



## NOTICE



When carrying out service work on the plant, note the following:

- Switch off operating voltage.
- If necessary, disconnect electrical connections from the terminals.
- The actuator must be commissioned only with a correctly mounted valve in place!

## Disposal



The device is considered an electronic device for disposal in accordance with European guidelines and may not be disposed of as domestic waste.

- Dispose of the device through channels provided for this purpose.
- Comply with all local and currently applicable laws and regulations.

## Warranty

Technical data on specific applications are valid only together with Siemens products listed under "Equipment combinations". Siemens rejects any and all warranties in the event that third-party products are used.

## Open Source Software (OSS)

### Software license overview

These devices use Open Source Software (OSS). All Open Source Software components used in the product (to include copyrights and licensing agreement) are available at <http://siemens.com/bt/download>.

Firmware version	OSS document		Device
	Document ID	Title	
2.10.0 or above	A6V13503690	Readme OSS for Modulating Room Actuator 200N, 300N	All

Power supply		
Operating voltage	SSF161.05HF, SSB161.05HF	AC 24 V (± 15 %) or DC 24 V (± 20 %)
	SSC161.05HF	AC 24 V (± 20 %) or DC 24 V (± 20 %)
Frequency	50/60 Hz	
Power consumption	Normal Operation	SSF161.05HF, SSB161.05HF: 3 VA SSC161.05HF: 3.5 VA
Primary fuse or breaker rating	External, 2 A quick blow	

Signal input	
Positioning signal	DC 0...10 V
Input impedance	100 kOhm
Parallel operation (number of actuators)	Max. 10 <sup>1)</sup>

<sup>1)</sup> Provided that the controller output is sufficient.

Signal output	
Feedback signal U	DC 0...10 V
Max. output current	1 mA
Resolution	1:100

Operating data	
Position with de-energized contact Y	See "Technical design [▶ 2]"
Running speed	< 5 s/mm ± 25 %
Positioning force	200 N: SSF161.05HF, SSB161.05HF 300 N: SSC161.05HF
Stroke	1.2...6.5 mm
Permissible temperature of medium in the connected valve	1...110 °C

Electrical connection (connecting cable integral)	
Cable length (integral)	1.5 m, according to VDE 0207
Cross section of prewired connection cables	0.34 mm <sup>2</sup> (5 ×)
Permissible length for signal lines	20 m

Mounting	
Fixing on valve	Plastic coupling nut M30 × 1.5: SSF161.05HF ¾" inch internal: SSB161.05HF, SSC161.05HF
Orientation	360°

Standards	
EU conformity (CE)	A5W00254962A
RCM conformity	A5W00254983A
UKCA	A5W00257055A
Housing protection degree	IP 54
Protection class according to EN 60730	III
Pollution degree	2
Overvoltage category	III
Environmental compatibility	The product environmental declaration (SSF161.05HF, SSB161.05HF, SSC161.05HF: A5W00242127A) contains data on environmentally compatible product design and assessments (RoHS compliance, materials composition, packaging, environmental benefit, disposal).

Housing color	
Cover/base	2003, Ti-Gray
Coupling nut	SSF161.05HF, SSB161.05HF: RAL 9017 SSC161.05HF: Blue and white

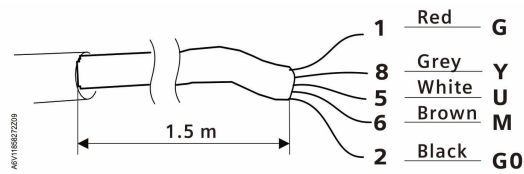
General ambient conditions			
	Operation	Transport	Storage
Environmental conditions	Class 3K3	Class 2K3	Class 1K3
Temperature	1...50 °C	-25...70 °C	-25...70 °C
Humidity	5...95 % r.h. non condensing	< 95 % r.h. non condensing	5...95 % r.h. non condensing
Atmospheric pressure	Min. 700 hPa, corresponding to max. 3,000 m above sea level	-	-

Material	
Cover/base	PC + ABS

<b>Weight</b>	
SSF161.05HF	293 g
SSB161.05HF	295 g
SSC161.05HF	319 g

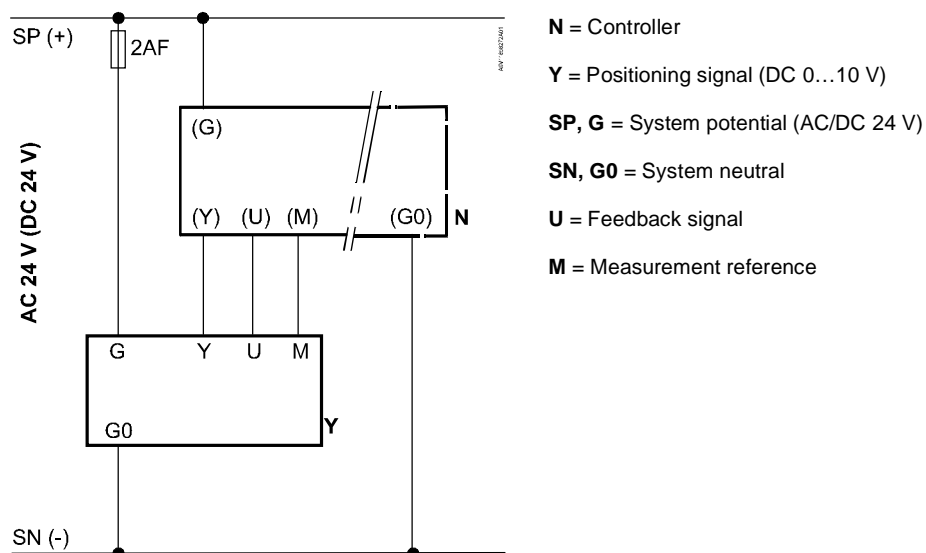
## Diagrams

### Connection terminals



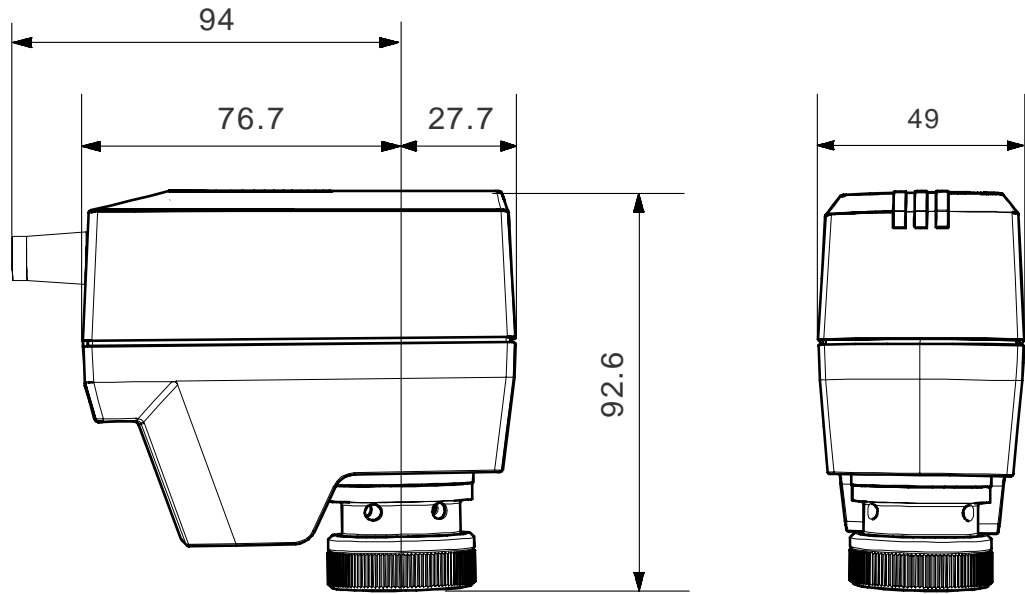
Code	No.	Color	Abbreviation	Meaning
G	1	Red	RD	System potential (AC/DC 24 V)
Y	8	Grey	GY	Positioning signal DC 0...10 V
U	5	White	WH	Feedback signal
M	6	Brown	BR	Measurement reference
G0	2	Black	BK	System neutral

### Connection diagrams



## Dimensions

mm



A6V12681511Z00

## Revision numbers

Type	Valid from rev. no.
SSF161.05HF	..A
SSB161.05HF	..A
SSC161.05HF	..A



Issued by  
Siemens Switzerland Ltd  
Smart Infrastructure  
Global Headquarters  
Theilerstrasse 1a  
CH-6300 Zug  
+41 58 724 2424  
[www.siemens.com/buildingtechnologies](http://www.siemens.com/buildingtechnologies)

© Siemens Switzerland Ltd, 2022  
Technical specifications and availability subject to change without notice.

---

Document ID    A6V12681511\_en--\_a  
Edition        2022-08-25