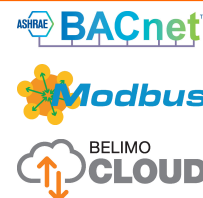
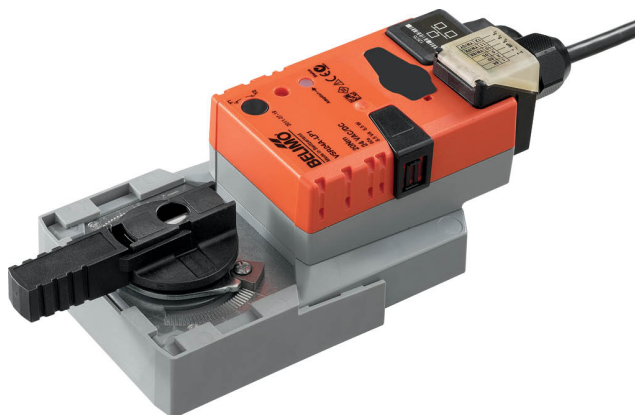


Cloud capable and communicative rotary actuator for ball valves

- Torque motor 20 Nm
- Nominal voltage AC/DC 24 V
- Control modulating, communicative, hybrid, Cloud
- Conversion of sensor signals
- Ethernet 10/100 Mbit/s, TCP/IP, integrated web server
- Communication via BACnet IP, Modbus TCP and Cloud



### Technical data

<b>Electrical data</b>	Nominal voltage	AC/DC 24 V	
	Nominal voltage frequency	50/60 Hz	
	Nominal voltage range	AC 19.2...28.8 V / DC 21.6...28.8 V	
	Power consumption in operation	6 W	
	Power consumption in rest position	1.25 W	
	Power consumption for wire sizing	8 VA	
	Connection supply / control	Cable 1 m, 6 x 0.5 mm <sup>2</sup>	
	Connection Ethernet	RJ45 socket	
	Parallel operation	Yes (note the performance data)	
<b>Data bus communication</b>	Communicative control	Cloud BACnet IP Modbus TCP	
	Number of nodes	BACnet / Modbus see interface description	
<b>Functional data</b>	Torque motor	20 Nm	
	Operating range Y	2...10 V	
	Input Impedance	34 kΩ	
	Operating range Y variable	0.5...10 V	
	Position accuracy	±5%	
	Manual override	with push-button, can be locked	
	Running time motor	90 s / 90°	
	Running time motor variable	90...350 s	
	Adaptation setting range	manual	
	Sound power level, motor	45 dB(A)	
Position indication	Mechanically, pluggable		
<b>Safety data</b>	Protection class IEC/EN	III, Safety Extra-Low Voltage (SELV)	
	Degree of protection IEC/EN	IP40 IP54 when using protective cap or protective grommet for RJ45 socket	
	EMC	CE according to 2014/30/EU	
	Mode of operation	Type 1	
	Rated impulse voltage supply / control	0.8 kV	
	Pollution degree	3	
	Ambient humidity	Max. 95% RH, non-condensing	
	Ambient temperature	-30...50°C [-22...122°F]	
	Storage temperature	-40...80°C [-40...176°F]	
	Servicing	maintenance-free	
	<b>Weight</b>	Weight	1.0 kg

Safety notes



- This device has been designed for use in stationary heating, ventilation and air-conditioning systems and must not be used outside the specified field of application, especially in aircraft or in any other airborne means of transport.
- Outdoor application: only possible in case that no (sea) water, snow, ice, insolation or aggressive gases interfere directly with the device and that it is ensured that the ambient conditions remain within the thresholds according to the data sheet at any time.
- Only authorised specialists may carry out installation. All applicable legal or institutional installation regulations must be complied during installation.
- The device may only be opened at the manufacturer's site. It does not contain any parts that can be replaced or repaired by the user.
- Cables must not be removed from the device.
- To calculate the torque required, the specifications supplied by the damper manufacturers concerning the cross-section, the design, the installation situation and the ventilation conditions must be observed.
- The device contains electrical and electronic components and must not be disposed of as household refuse. All locally valid regulations and requirements must be observed.

Product features

**Mode of operation** The actuator is controlled via the Cloud, BACnet IP or Modbus TCP and drives to the position defined by the control signal. Various data points can be written and read via the same interfaces.

Hybrid mode:

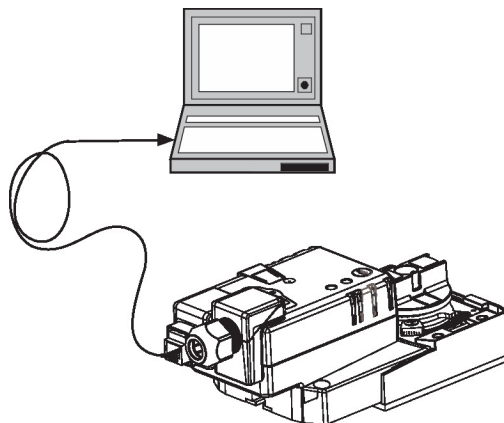
The actuator receives its analog control signal from the higher level controller and drives to the position defined. Using the Cloud, BACnet IP or Modbus TCP, various data points can be read and with the exception of the control signal written.

**Converter for sensors** Connection option for two sensors (passive sensor, active sensor or switching contact). The actuator serves as an analogue/digital converter for the transmission of the sensor signal to the higher level system.

**Communication** The parametrisation can be carried out through the integrated web server (RJ45 connection to the web browser), by communicative means or via the Cloud.

Additional information regarding the integrated web server can be found in the separate documentation.

**"Peer to Peer" connection**  
<http://belimo.local:8080>  
 The Notebook must be set to "DHCP".  
 Make sure that only one network connection is active.  
**Standard IP address:**  
<http://192.168.0.10:8080>  
 Static IP address  
**Password (read-only):**  
 User name: «guest»  
 Password: «guest»



**Simple direct mounting** Straightforward direct mounting on the ball valve with only one central screw. The assembly tool is integrated in the plug-in position indication. The mounting orientation in relation to the ball valve can be selected in 90° steps.

**Data recording** The recorded data (integrated data recording for 13 months) can be used for analytical purposes.  
 Download csv files via web browser.

**Manual override** Manual override with push-button possible (the gear train is disengaged for as long as the button is pressed or remains locked).

**Adjustable angle of rotation** Adjustable angle of rotation with mechanical end stops.

- High functional reliability** The actuator is overload protected, requires no limit switches and automatically stops when the end stop is reached.
- Home position** The first time the supply voltage is switched on, i.e. at the time of commissioning, the actuator carries out an adaptation, which is when the operating range and position feedback adjust themselves to the mechanical setting range.  
The actuator then moves into the position defined by the control signal.
- Adaptation and synchronisation** An adaptation can be triggered manually by pressing the "Adaptation" button. Both mechanical end stops are detected during the adaptation (entire setting range).  
The actuator then moves into the position defined by the control signal.

**Accessories**

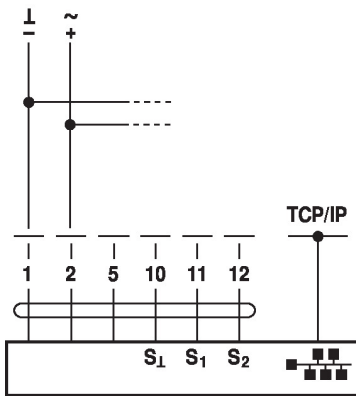
Electrical accessories	Description	Type
	Grommet for RJ connection module, Multipack 50 pcs.	Z-STRJ.1
Tools	Description	Type
	Service Tool, with ZIP-USB function, for parametrisable and communicative Belimo actuators, VAV controller and HVAC performance devices	ZTH EU
	Connection cable 5 m, A: RJ11 6/4 ZTH EU, B: 6-pin for connection to service socket	ZK1-GEN

**Electrical installation**

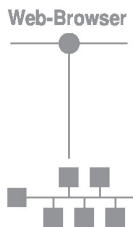

**Supply from isolating transformer.**  
Parallel connection of other actuators possible. Observe the performance data.

**Wiring diagrams**

AC/DC 24 V


**Cable colours:**

- 1 = black
- 2 = red
- 5 = orange
- 10 = yellow-black
- 11 = yellow-pink
- 12 = yellow-grey



Connection of a notebook for parametrisation and manual control via RJ45.

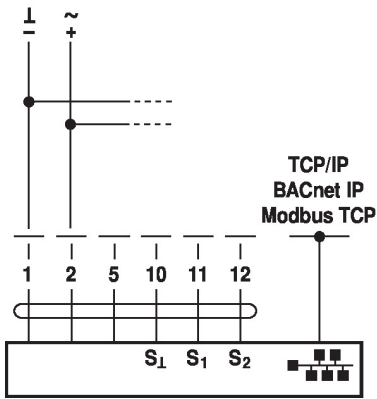
Optional connection via RJ45 (direct connection Notebook / connection via Intranet or Internet) for access to the integrated web server

**Functions**

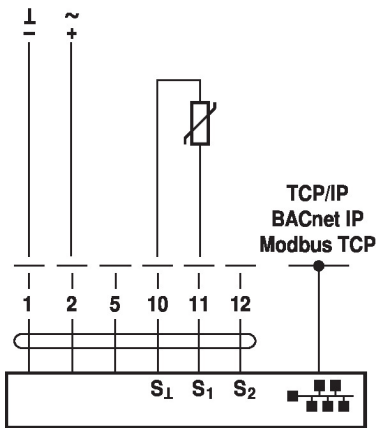

The connection diagrams shows connections for the first sensor on terminal S1, while the second sensor can be connected identically on terminal S2.  
Parallel use of different sensor types is permitted.  
For hybrid operation, S1 is used for the control signal Y and must be configured as an active sensor.

Functions with specific parameters (parametrisation necessary)

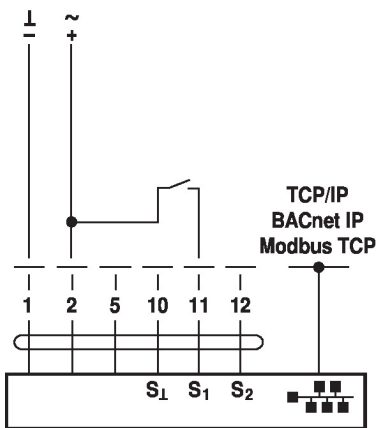
TCP/IP (Cloud) / BACnet IP / Modbus TCP



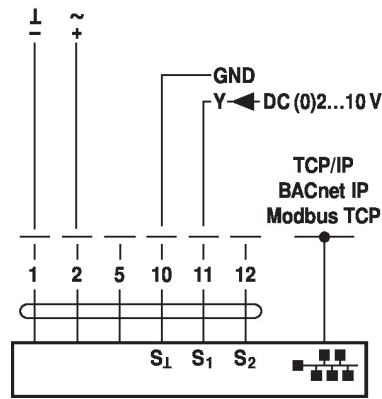
Connection of passive sensors



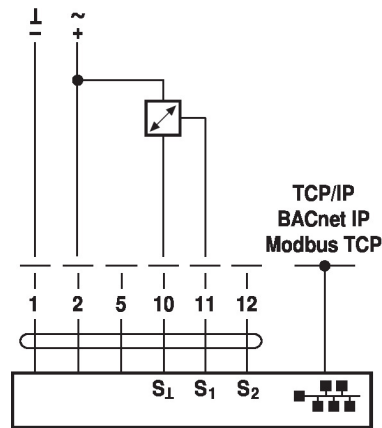
Switching contact connection



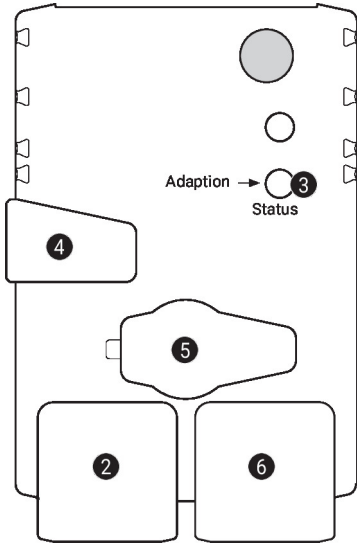
TCP/IP (Cloud) / BACnet IP / Modbus TCP with analogue setpoint (hybrid operation)



Connection of active sensors



Operating controls and indicators



**2 LED display green**

- Off: No power supply or wiring error
- On: Actuator starts operation
- Flickering: In operation

**3 Push-button and LED display yellow**

- Off: Standard mode
- On: Adaptation or synchronisation process active
- Press button: Triggers angle of rotation adaptation, followed by standard mode

**4 Manual override button**

- Press button: Gear train disengages, motor stops, manual override possible
- Release button: Gear train engages, standard mode

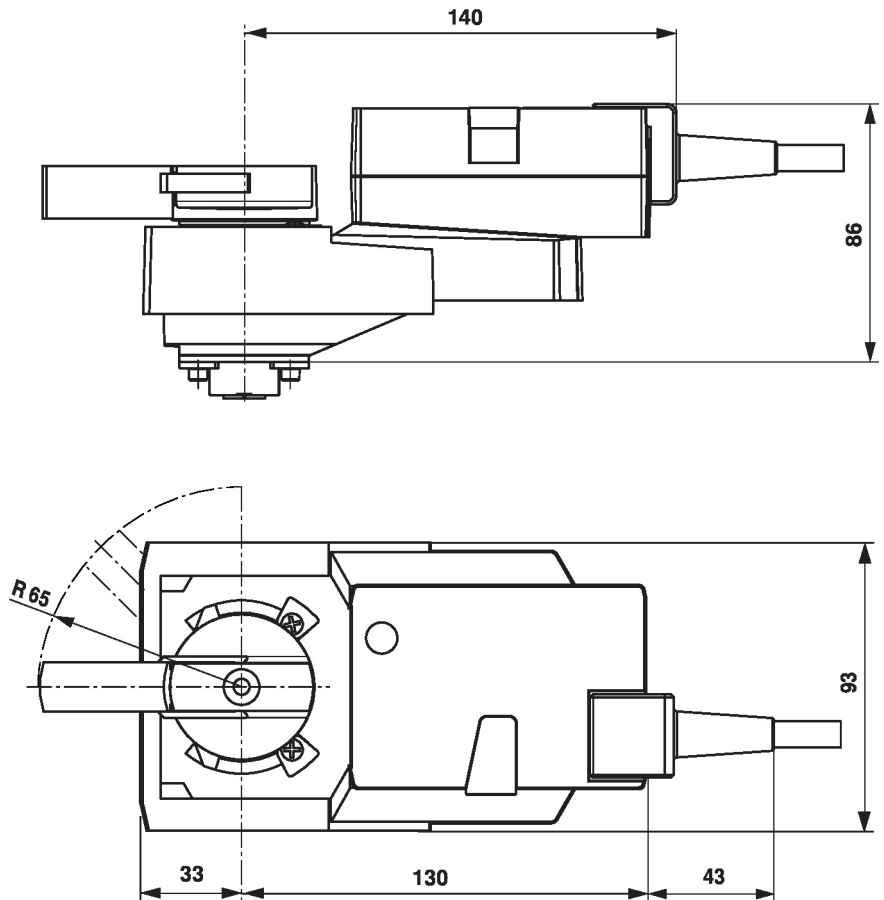
**5 Service plug**

For connecting parametrisation and service tools

**6 RJ45 socket**

For the connection of TCP/IP (Cloud), BACnet IP and Modbus TCP

Dimensions



## Further documentation

- General notes for project planning
- Instruction Webserver
- BACnet Interface description
- Modbus Interface description
- Description clientAPI