

NOVOS 3 CO₂ + VOC

Room sensor for air quality with optional temperature and humidity

thermokon[®]
HOME OF SENSOR TECHNOLOGY

Datasheet

Subject to technical alteration
Issue date: 03.06.2022 • A122

novos



* with design cover (left), standard design w/o design cover (right)

» APPLICATION

Room sensor for recording CO₂ content and additionally temperature and humidity (relative, absolute, enthalpy, dew point). The maintenance-free sensor creates the conditions for a pleasant indoor climate and well-being. Typical applications are schools, office buildings, hotels, cinemas or similar. The device is available with additional LED display (traffic light function) with color change function for displaying the measured values. The threshold values can be individually configured via the Thermokon NOVOSapp.

» TYPES AVAILABLE

Room air quality sensor CO₂ + VOC – active 2x 0..10 V | 2x4..20 mA

- NOVOS 3 CO₂ + VOC VV
- NOVOS 3 CO₂ + VOC AA

Room air quality sensor CO₂ + VOC + temperature – active 3x 0..10 V

- NOVOS 3 CO₂ + VOC Temp 3xV

Room air quality sensor CO₂ + VOC + temperature + humidity – active 4xV 0..10 V

- NOVOS 3 CO₂ + VOC Temp_rH 4xV

Optional: TLF – traffic light function, RGB-LED indicating air quality

» PRODUCT TESTING AND CERTIFICATION



Declaration of conformity

The declaration of conformity of the products can be found on our website <https://www.thermokon.de/>

» SECURITY ADVICE – CAUTION



The installation and assembly of electrical equipment should only be performed by authorized personnel.

The product should only be used for the intended application. Unauthorised modifications are prohibited! The product must not be used in relation with any equipment that in case of a failure may threaten, directly or indirectly, human health or life or result in danger to human beings, animals or assets. Ensure all power is disconnected before installing. Do not connect to live/operating equipment.

Please comply with

- Local laws, health & safety regulations, technical standards and regulations
- Condition of the device at the time of installation, to ensure safe installation
- This data sheet and installation manual

» MOUNTING ADVISE ROOM SENSORS

The Accuracy of the room sensors are influenced by the technical specifications as well as the positioning and the installation type.

During Assembly:

- Seal mounting box (if present).
- Installation type, air draught, heat source, radiation heat or direct sunlight can affect the measurement.
- Building material specific properties of the installation place (*brick-, concrete-, partition wall, cavity wall, ...*) can affect the measurement. (*e.g.: Concrete accepts room temperature variation slower than cavity walls*)

Assembly not recommendet in...

- Air draught (e.g.: close to windows / doors / fans ...)
- Near heating sources,
- Direct sunlight
- Niches / between furniture / ...

» BUILD-UP OF SELF-HEATING BY ELECTRICAL DISSIPATIVE POWER

Sensors with electronic components always have a dissipative power, which affects the temperature measurement of the ambient air. The dissipation in active temperature sensors shows a linear increase with rising operating voltage. This dissipative power has to be considered when measuring temperature. In case of a fixed operating voltage ($\pm 0,2$ V) this is normally done by adding or reducing a constant offset value.

Thermokon transducers can be operated with variable operating voltages. The transducers are set at the factory with a reference operating voltage of 24 V =.

At this voltage, the expected measuring error of the output signal will be the least. Other operating voltages, can cause a measurement deviation changing power loss of the sensor electronics.

A recalibration can be carried out directly on the unit or via a software variable (app or bus).

Remark: Occurring draught leads to a better carrying-off of dissipative power at the sensor. Thus temporally limited fluctuations might occur upon temperature measurement.

» APPLICATION NOTICE FOR HUMIDITY SENSORS

At regular environmental condition, it is recommended to calibrate the sensor annually to check the compliance with the accuracy required in the application. The following conditions can damage the sensor element or lead in long term to loss of the specified accuracy:

- Mechanical stress
- Contamination (e.g. dust / fingerprints)
- Aggressive chemicals
- Ambient conditions (e.g. condensation on measuring element)



Do not touch the sensor elements!

Re-calibration or exchange of the sensor element are not subject of the general warranty.

» INFORMATION ABOUT SELF-CALIBRATION FEATURE CO₂

All gas sensors are subject to drift. The degree of drift is dependent on the use of components and product design. In addition, the following environmental conditions, among others, can accelerate/ favor the aging and wear of the sensors:

- Mechanical stress (also due to temperature fluctuation)
- Contamination (dust / fingerprints e.g.)
- Abrasive chemicals
- Environmental influences (high humidity / condensation on measuring element)

An internal self calibration function with dual channel technology compensates the caused drift. Thermokon sensors are for permanent use (e.g. hospitals).

» INFORMATION ABOUT INDOOR AIR QUALITY CO₂

EN 13779 defines several classes for indoor air quality:

Category	CO ₂ content above the content in outdoor air in ppm		Description
	Typical range	Standard value	
IDA1	<400 ppm	350 ppm	Good indoor air quality
IDA2	400.. 600 ppm	500 ppm	Standard indoor air quality
IDA3	600.. 1.000 ppm	800 ppm	Moderate indoor air quality
IDA4	>1.000 ppm	1.200 ppm	Poor indoor air quality

» APPLICATION NOTICE FOR AIR QUALITY SENSORS VOC

Volatile organic compounds (VOC) are gaseous and vaporous substances of organic origin in the air. VOC-sensors monitor the significant part of humanly olfactory sensed air quality. (e.g. body odor | tobacco smoke | odor of materials, furniture, carpets, paint, adhesives, ...)

The VOC-Value is an application-specific indication for air quality and doesn't provide any information about individual components of VOC

A VOC sensor oxidises the organic molecules that collide with it, which results in changing the resistance of the semiconductor.

Any contact with the sensitive sensors must be avoided and will invalidate the warranty.

The VOC Sensor is factory calibrated and can be calibrated via NOVOSapp subsequently, if needed.

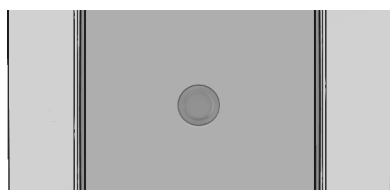
» NOTES ON DISPOSAL



As a component of a large-scale fixed installation, Thermokon products are intended to be used permanently as part of a building or a structure at a pre-defined and dedicated location, hence the Waste Electrical and Electronic Act (WEEE) is not applicable. However, most of the products may contain valuable materials that should be recycled and not disposed of as domestic waste. Please note the relevant regulations for local disposal.

» TLF – TRAFFIC LIGHT FUNCTION (OPTIONAL)

The LED visualizes the air quality value (Thresholds optionally configurable via Thermocon NOVOSapp).



CO ₂ (factory default)	Behavior of the LED
0..750 ppm	LED lights up in green
751..1250 ppm	LED lights up in yellow
1251..2000 ppm	LED lights up in red

» TECHNICAL DATA

Measuring values	CO2 + VOC + temperature (optional) + humidity (optional)			
Output voltage <i>(type-dependent)</i>	VV 3xV 4xV 2x/3x/4x 0..10 V or 0..5 V, min load 10 kΩ (live-zero configuration 1..10/2..10 V) configurable via Thermokon NOVOSapp			
Output Amp <i>(type-dependent)</i>	AA 2x 4..20 mA, max. load 500 Ω			
Power supply <i>(type-dependent)</i>	VV 3xV 4xV 15..35 V = or 19..29 V ~ SELV		AA 15..35 V = SELV	
Power consumption <i>(type-dependent)</i>	VV 3xV 4xV typ. 0,4 W (24 V =) 0,8 VA (24 V ~)		AA max. 0,5 W / 24 V =	
Measuring range humidity <i>(type-dependent)</i>	relative humidity (default) 0..100% rH	Enthalpy 0..85 KJ/kg	absolute humidity 0..50 0..80 g/m³,	dew point 0..+50 -20..+80 °C,
	configurable via Thermokon NOVOSapp			
Measuring range CO2	0..2000 ppm 0..5000 ppm (optional configurable via Thermokon NOVOSapp)			
Output signal range temp. <i>*scaling analogue output</i>	0..+50 °C (default setting), selectable from 4 temperature ranges -50..+50 0..+50 -15..+35 -20..+80 °C, configurable via NOVOSapp			
Accuracy temperature <i>(type-dependent)</i>	±0,5K (typ. at 21 °C)			
Accuracy humidity <i>(type-dependent)</i>	±2% between 10..90% rH (typ. at 21 °C)			
Accuracy CO2	±50 ppm+ 3 % of reading (typ. at 21 °C, 50% rH, 1015 hPa)			
Calibration	self-calibration, CO2: Dual Channel			
Sensor	VOC sensor (heated metal oxide semiconductor), CO2: NDIR (non-dispersive, infrared)			
Display	RGB-LED indicating air quality (CO2, traffic light function 'TLF'), optional			
Enclosure	PC V0, pure white, design cover (optional)			
Protection	IP20 according to DIN EN 60529			
Cable entry	rear entry, breaking points bottom, drill mark top			
Connection electrical	tool-free mountable spring terminal, max. AWG16			
Ambient condition	0..50 °C, max. 85% non-condensing			
Mounting	surface mounted on flush-mounting box (Ø=2.36in. 60 mm) or to be mounted flat onto the surface using screws, base part can be mounted and wired separately			
Notes	mixed gas sensors detect gases and vapours which can be oxidised (burnt): Body odours, tobacco smoke, exhalations emitted by materials (furniture, carpets, paint, glue ...)			

» MOUNTING ADVICES

Please make sure that the device is de-energized if you want to install it!

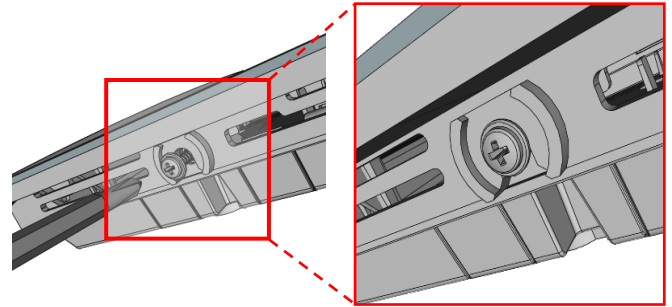
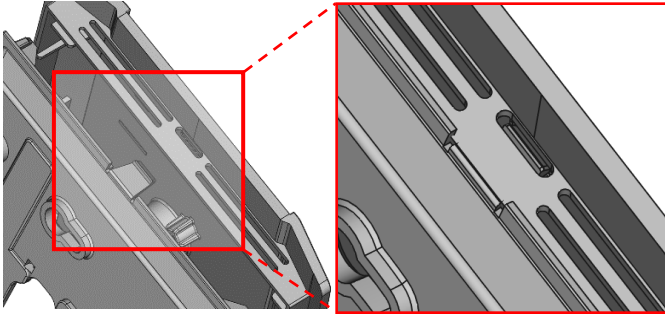
The installation can be performed on the flat wall surface or on a flush-mounted box. A representative place should be selected. Sunshine and draft, e.g. in the installation tube should be avoided, so that the measurement result is not falsified. Seal the end of the installation tube.

- For wiring, the upper part of the device must be removed from the base plate. Base plate and upper part are detachably connected to each other by means of locking lugs.
- The mounting of the base plate on the flat wall surface is done with rawplugs and screws.
- Finally, the device is attached to the base plate and fixed with the screw.

Housing open / close

Snap the upper part of the housing into the locking lug on the upper side

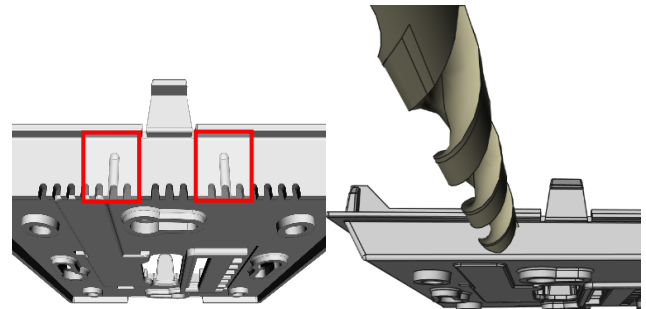
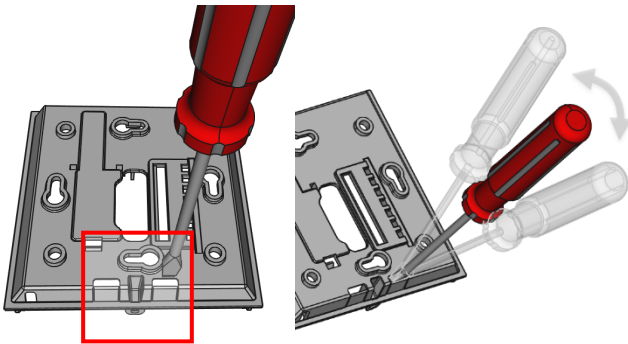
Fix the upper part of the housing on the underside with the screw



Cable entry

There are predetermined breaking points for 2 optional cable entries on the underside of the base plate

On the upper side of the base plate there are 2 grits as position for a drill hole max. Ø 6 mm



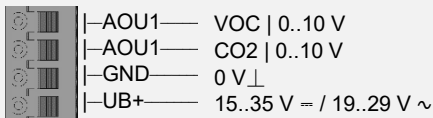
When using a drill, you should absolutely ensure that the base plate is firmly clamped. Before drilling, the pressure must be reduced and carefully drilled. A sudden break-through of the drill bit can be the result.

» CONNECTION PLAN

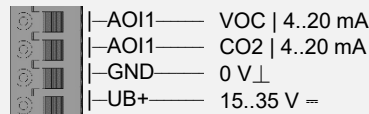
The following connection diagrams show the assignment of measuring values to analog outputs in factory default. Output variables reconfigurable via Thermokon NOVOSapp.

Room sensor CO2 + VOC – active 2x 0..10 V | 2x 4..20 mA

NOVOS 3 CO2 + VOC VV

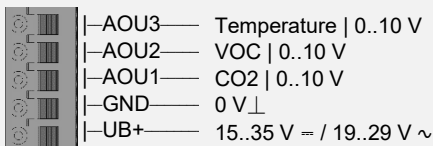


NOVOS 3 CO2 + VOC AA



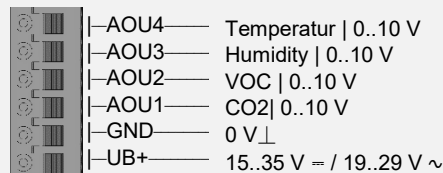
Room sensor CO2 + VOC + temperature – active 3x 0..10 V

NOVOS 3 CO2 + VOC + Temp 3xV



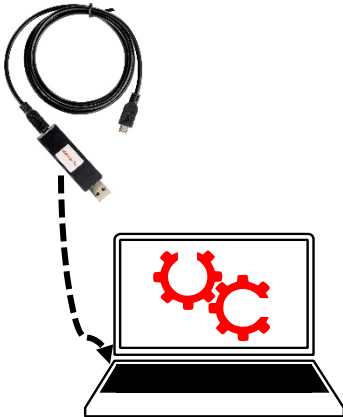

Room sensor CO2 + VOC + temperature + humidity – active 4x 0..10 V

NOVOS 3 CO2 + VOC + Temp_rH 4xV

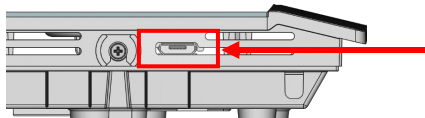


» CONFIGURATION

The configuration is performed in powered state. The following options are available for configuring the device:

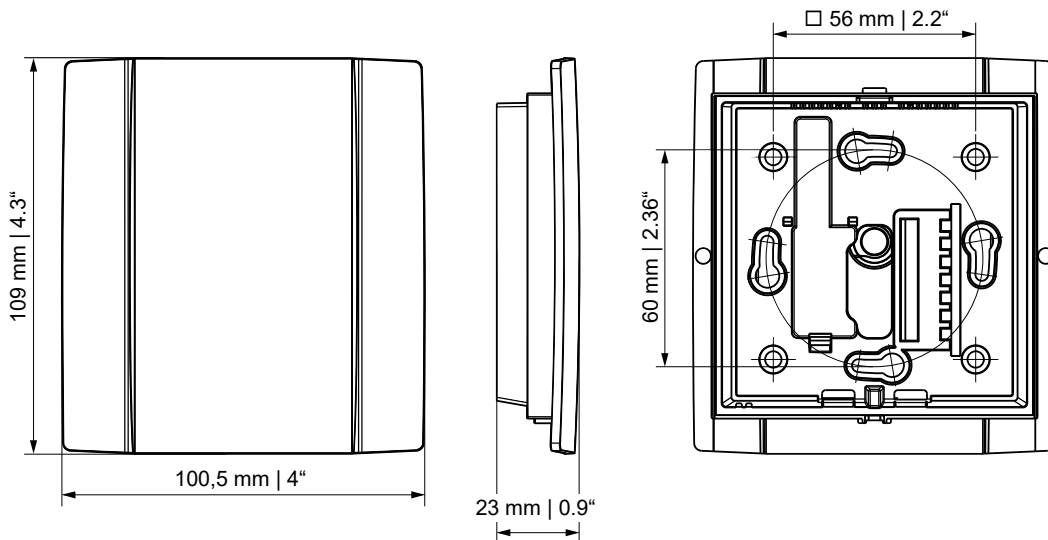
Device connection	Micro-USB	Micro-USB
Configuration adapter	Thermokon USB-Interface 	USB-Bluetooth Dongle 
Configuration interface	PC/Notebook with uConfig software Parameterization partial via desktop PC/Notebook with uConfig software, via Thermokon USB-Interface*. Item No. 597838	Smartphone/Tablet with NOVOS App Parameterization with mobile devices via Bluetooth and NOVOSapp. A separately available Bluetooth dongle* is required. Item no. 668262

*Commercially available Bluetooth dongles or USB to Micro-USB adapter cables are not compatible. You need a mobile device that supports at least Bluetooth version 4.1. The configuration app with the corresponding instructions can be downloaded from the Google Play Store or the Apple App Store.



Position of the micro USB port, see bottom of the device, for configuration with Bluetooth dongle or Micro-USB programming interface

» DIMENSIONS (MM)



» ACCESSORIES (OPTIONAL)

Rawplugs and screws (2 pcs. each)
PSU-UP24 – flush mount power supply 24 V (AC Input: 100..240 V ~ | DC Output 24 V = 0,5 A)

Item No. 102209
Item No. 645737

Bluetooth dongle
Thermokon USB-Interface
Mounting bracket (surface mounted) white
Mounting bracket (surface mounted) black

Item No. 668262
Item No. 597838
Item No. 795050
Item No. 795074