

# NOVOS 3 CO2

Room sensor CO2 with optional temperature and humidity

**thermokon**<sup>®</sup>  
HOME OF SENSOR TECHNOLOGY

## Datasheet

Subject to technical alteration  
Issue date: 03.06.2022 • A122

novos



\*with design cover (left), standard design w/o design cover (right)

## » APPLICATION

Room sensor for recording CO2 content and additionally temperature and humidity (relative, absolute, enthalpy, dew point). The maintenance-free sensor creates the conditions for a pleasant indoor climate and well-being. Typical applications are schools, office buildings, hotels, cinemas or similar. The devices VV and 3xV are available with additional LED display (TLF - traffic light function) with color change function for displaying the measured values. The threshold values can be individually configured via the Thermokon NOVOSapp.

## » TYPES AVAILABLE

### Room sensor CO2 – active V 0..10 V | A 4..20 mA

- NOVOS 3 CO2 V
- NOVOS 3 CO2 A

### Room sensor CO2 + temperature – active 2x V 0..10 V | 2x A 4..20 mA

- NOVOS 3 CO2 Temp VV MultiRange
- NOVOS 3 CO2 Temp AA MultiRange

*Optional: TLF – traffic light function, RGB-LED indicating air quality*

### Room sensor CO2 + temperature + humidity – active 3xV 0..10 V

- NOVOS 3 CO2 Temp\_rH 3xV MultiRange

*Optional: TLF – traffic light function, RGB-LED indicating air quality*

## » PRODUCT TESTING AND CERTIFICATION



### Declaration of conformity

The declaration of conformity of the products can be found on our website <https://www.thermokon.de/>

## » SECURITY ADVICE – CAUTION

The installation and assembly of electrical equipment should only be performed by authorized personnel.



The product should only be used for the intended application. Unauthorised modifications are prohibited! The product must not be used in relation with any equipment that in case of a failure may threaten, directly or indirectly, human health or life or result in danger to human beings, animals or assets. Ensure all power is disconnected before installing. Do not connect to live/operating equipment.

Please comply with

- Local laws, health & safety regulations, technical standards and regulations
- Condition of the device at the time of installation, to ensure safe installation
- This data sheet and installation manual

## » MOUNTING ADVISE ROOM SENSORS

The Accuracy of the room sensors are influenced by the technical specifications as well as the positioning and the installation type.

### During Assembly:

- Seal mounting box (if present).
- Installation type, air draught, heat source, radiation heat or direct sunlight can affect the measurement.
- Bulding material specific properties of the installation place (*brick-, concrete-, partition wall, cavity wall, ...*) can affect the measurement. (*e.g.: Concrete accepts room temperature variation slower than cavity walls*)

### Assembly not recommendet in...

- Air draught (e.g.: close to windows / doors / fans ...)
- Near heating sources,
- Direct sunlight
- Niches / between furniture / ...

## » BUILD-UP OF SELF-HEATING BY ELECTRICAL DISSIPATIVE POWER

Sensors with electronic components always have a dissipative power, which affects the temperature measurement of the ambient air. The dissipation in active temperature sensors shows a linear increase with rising operating voltage. This dissipative power has to be considered when measuring temperature. In case of a fixed operating voltage ( $\pm 0,2$  V) this is normally done by adding or reducing a constant offset value.

Thermokon transducers can be operated with variable operating voltages. The transducers are set at the factory with a reference operating voltage of 24 V =.

At this voltage, the expected measuring error of the output signal will be the least. Other operating voltages, can cause a measurement deviation changing power loss of the sensor electronics.

A recalibration can be carried out directly on the unit or via a software variable (app or bus).

**Remark: Occurring draught leads to a better carrying-off of dissipative power at the sensor. Thus temporally limited fluctuations might occur upon temperature measurement.**

## » APPLICATION NOTICE FOR HUMIDITY SENSORS

At regular environmental condition, it is recommended to calibrate the sensor annually to check the compliance with the accuracy required in the application. The following conditions can damage the sensor element or lead in long term to loss of the specified accuracy:

- Mechanical stress
- Contamination (e.g. dust / fingerprints)
- Aggressive chemicals
- Ambient conditions (e.g. condensation on measuring element)



**Do not touch the sensor elements!**

**Re-calibration or exchange of the sensor element are not subject of the general warranty.**

## » INFORMATION ABOUT SELF-CALIBRATION FEATURE CO2

All gas sensors are subject to drift. The degree of drift is dependent on the use of components and product design. In addition, the following environmental conditions, among others, can accelerate/ favor the aging and wear of the sensors:

- Mechanical stress (also due to temperature fluctuation)
- Contamination (dust / fingerprints e.g.)
- Abrasive chemicals
- Environmental influences (high humidity / condensation on measuring element)

An internal self calibration function with dual channel technology compensates the caused drift. Thermokon sensors are for permanent use (e.g. hospitals).

## » INFORMATION ABOUT INDOOR AIR QUALITY CO2

EN 13779 defines several classes for indoor air quality:

Category	CO <sub>2</sub> content above the content in outdoor air in ppm		Description
	Typical range	Standard value	
IDA1	<400 ppm	350 ppm	Good indoor air quality
IDA2	400.. 600 ppm	500 ppm	Standard indoor air quality
IDA3	600.. 1.000 ppm	800 ppm	Moderate indoor air quality
IDA4	>1.000 ppm	1.200 ppm	Poor indoor air quality

## » TECHNICAL DATA

Measuring values	CO <sub>2</sub> + temperature (optional) + humidity (optional)			
Output voltage (type-dependent)	<b>V   VV   3xV</b> 1x/2x/3x 0..10 V or 0..5 V, min load 10 kΩ (live-zero configuration 1..10/2..10 V) configurable via Thermokon NOVOSapp			
Output Amp (type-dependent)	<b>A   AA</b> 1x/2x 4..20 mA, max. load 500 Ω			
Power supply (type-dependent)	<b>V   VV   3xV</b> 15..35 V = or 19..29 V ~ SELV		<b>A   AA</b> 15..35 V = SELV	
Power consumption (type-dependent)	<b>V   VV   3xV</b> typ. 0,4 W (24 V =)   0,8 VA (24 V ~)		<b>A   AA</b> max. 0,5 W / 24 V =	
Output signal range temp. (scaling analogue output)	0..+50 °C (default setting), selectable from 4 temperature ranges -50..+50   0..+50   -15..+35   -20..+80 °C, configurable via NOVOSapp			
Measuring range humidity (type-dependent)	<b>relative humidity</b> (default) 0..100% rH	<b>Enthalpy</b> 0..85 KJ/kg	<b>absolute humidity</b> 0..50   0..80 g/m <sup>3</sup>	<b>dew point</b> 0..+50   -20..+80 °C
	configurable via Thermokon NOVOSapp			
Measuring range CO <sub>2</sub>	0..2000 ppm   0..5000 ppm (optional configurable via Thermokon NOVOSapp)			
Accuracy temperature (type-dependent)	±0,5K (typ. at 21 °C)			
Accuracy humidity (type-dependent)	±2% between 10..90% rH (typ. at 21 °C)			
Accuracy CO <sub>2</sub>	±50 ppm + 3 % of reading (typ. at 21 °C, 50% rH, 1015 hPa)			
Calibration	<b>CO<sub>2</sub></b> self-calibration, Dual Channel			
Sensor	NDIR (non-dispersiv, infrarot)			
Display	RGB-LED indicating air quality (CO <sub>2</sub> , traffic light function 'TLF'), optional			
Enclosure	PC V0, pure white, design cover (optional)			
Protection	IP20 according to DIN EN 60529			
Cable entry	rear entry, breaking points, drill mark top			
Connection electrical	tool-free mountable spring terminal, max. 1,5 mm <sup>2</sup>			
Ambient condition	0..50 °C, max. 85% non-condensing			
Mounting	surface mounted on flush-mounting box (Ø=2.36in.   60 mm) or to be mounted flat onto the surface using screws, base part can be mounted and wired separately			

## » NOTES ON DISPOSAL



As a component of a large-scale fixed installation, Thermokon products are intended to be used permanently as part of a building or a structure at a pre-defined and dedicated location, hence the Waste Electrical and Electronic Act (WEEE) is not applicable. However, most of the products may contain valuable materials that should be recycled and not disposed of as domestic waste. Please note the relevant regulations for local disposal.

## » MOUNTING ADVICES

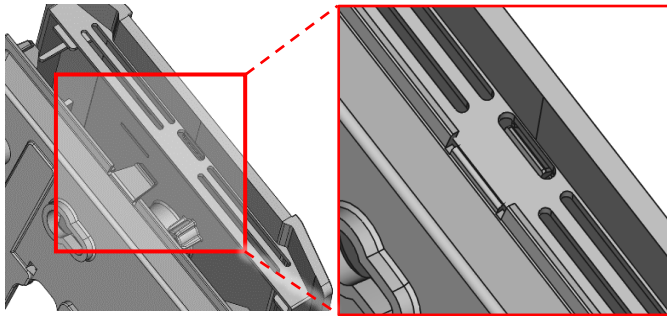
Please make sure that the device is de-energized if you want to install it!

The installation can be performed on the flat wall surface or on a flush-mounted box. A representative place should be selected. Sunshine and draft, e.g. in the installation tube should be avoided, so that the measurement result is not falsified. Seal the end of the installation tube.

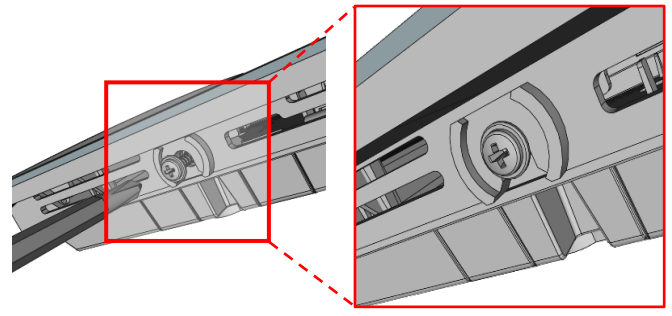
- For wiring, the upper part of the device must be removed from the base plate. Base plate and upper part are detachably connected to each other by means of locking lugs.
- The mounting of the base plate on the flat wall surface is done with rawplugs and screws.
- Finally, the device is attached to the base plate and fixed with the screw.

### Housing open / close

Snap the upper part of the housing into the locking lug on the upper side

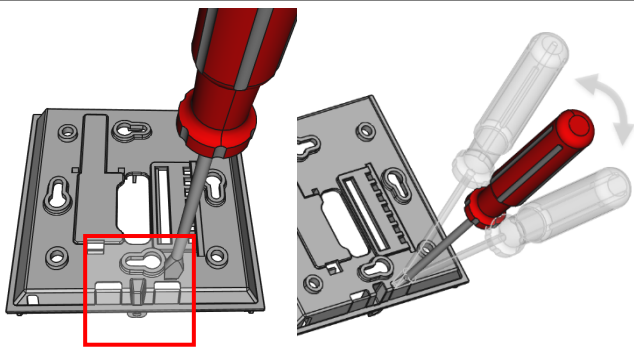


Fix the upper part of the housing on the underside with the screw

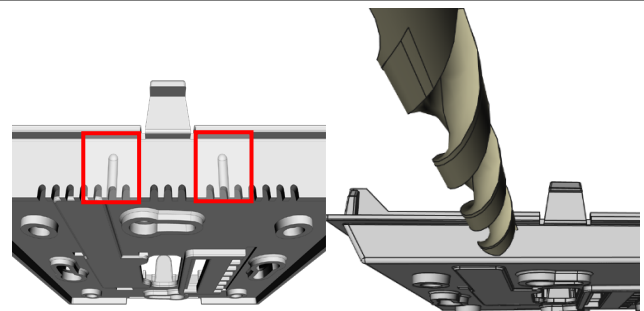


### Cable entry

There are predetermined breaking points for 2 optional cable entries on the underside of the base plate



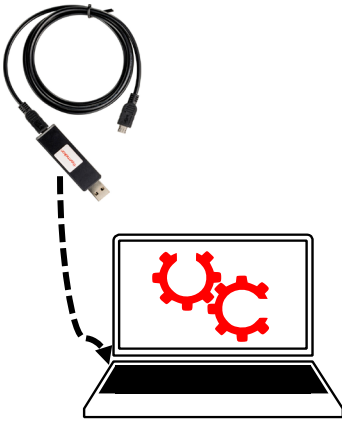

On the upper side of the base plate there are 2 grits as position for a drill hole max. Ø 6 mm



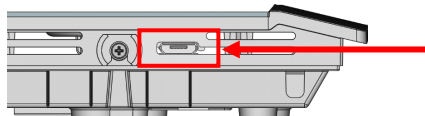
When using a drill, you should absolutely ensure that the base plate is firmly clamped. Before drilling, the pressure must be reduced and carefully drilled. A sudden break-through of the drill bit can be the result.

» CONFIGURATION

The configuration is performed in powered state. The following options are available for configuring the device:

Device connection	Micro-USB	Micro-USB
Configuration adapter	Thermokon USB-Interface 	USB-Bluetooth Dongle 
Configuration interface	PC/Notebook with uConfig software Parameterization partial via desktop PC/Notebook with uConfig software, via Micro RS-232/USB converter*. Item No. 597838	Smartphone/Tablet with NOVOS App Parameterization with mobile devices via Bluetooth and NOVOSapp. A separately available Bluetooth dongle* is required. Item no. 668262

\*Commercially available Bluetooth dongles or USB to Micro-USB adapter cables are not compatible. You need a mobile device that supports at least Bluetooth version 4.1. The configuration app with the corresponding instructions can be downloaded from the Google Play Store or the Apple App Store.

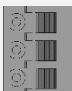



Position of the micro USB port, see bottom of the device, for configuration with Bluetooth dongle or Micro-USB programming interface



» CONNECTION PLAN

The following connection diagrams show the assignment of measuring values to analog outputs in factory default. Output variables reconfigurable via Thermokon NOVOSapp.


Room sensor CO2 – active V 0..10 V | A 4..20 mA

NOVOS 3 CO2 V	NOVOS 3 CO2 A
  —AOU1—  CO2   0..10 V  —GND—  0 V <sub>⊥</sub>  —UB+—  15..35 V = / 19..29 V ~	  —AOI1—  CO2   4..20 mA  —GND—  0 V <sub>⊥</sub>  —UB+—  15..35 V =

Room sensor CO2 + temperature – active 2x V 0..10 V | 2x A 4..20 mA

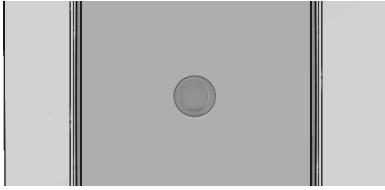
NOVOS 3 CO2 Temp VV MultiRange	NOVOS 3 CO2 Temp AA MultiRange
  —AOU2—  Temperature   0..10 V  —AOU1—  CO2   0..10 V  —GND—  0 V <sub>⊥</sub>  —UB+—  15..35 V = / 19..29 V ~	  —AOI2—  Temperature   4..20 mA  —AOI1—  CO2   4..20 mA  —GND—  0 V <sub>⊥</sub>  —UB+—  15..35 V =

Room sensor CO2 + temperature + humidity – active 3xV 0..10 V

NOVOS 3 CO2 Temp_rH 3xV MultiRange
  —AOU3—  Temperature   0..10 V  —AOU2—  Humidity   0..10 V  —AOU1—  CO2   0..10 V  —GND—  0 V <sub>⊥</sub>  —UB+—  15..35 V = / 19..29 V ~

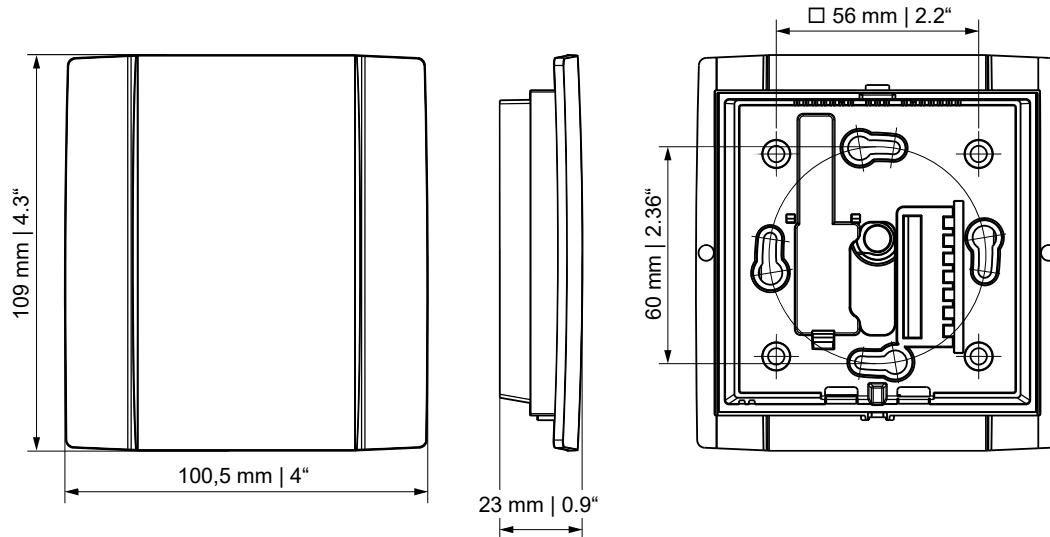
## » TLF – TRAFFIC LIGHT FUNCTION (OPTIONAL)

The LED visualizes the air quality value (Thresholds optionally configurable via Thermocon NOVOSapp).



CO2 (factory default)	Behavior of the LED
0..750 ppm	LED lights up in green
751..1250 ppm	LED lights up in yellow
1251..2000 ppm	LED lights up in red

## » DIMENSIONS (MM)



## » ACCESSORIES (OPTIONAL)

Rawplugs and screws (2 pcs. each)

PSU-UP24 – flush mount power supply 24 V (AC Input: 100..240 V ~ | DC Output 24 V = 0,5 A)

Item No. 102209

Item No. 645737

Bluetooth dongle

Thermokon USB-Interface

Mounting bracket (surface mounted) white

Mounting bracket (surface mounted) black

Item No. 668262

Item No. 597838

Item No. 795050

Item No. 795074