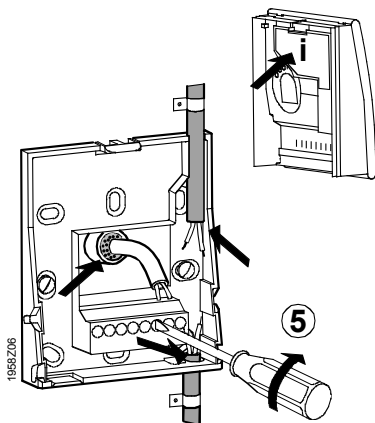
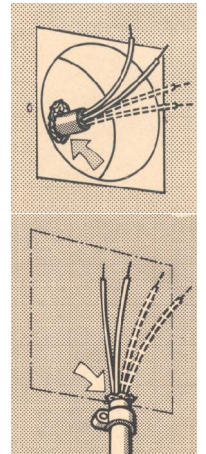
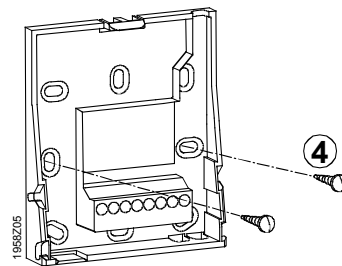
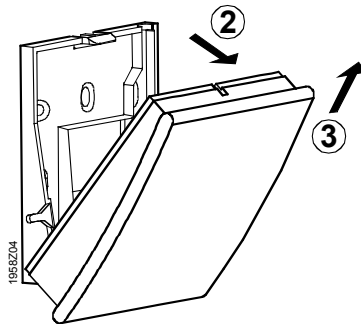
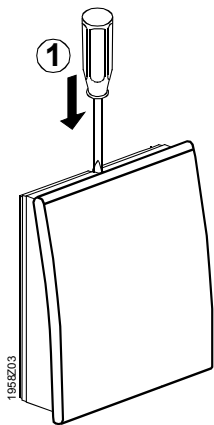
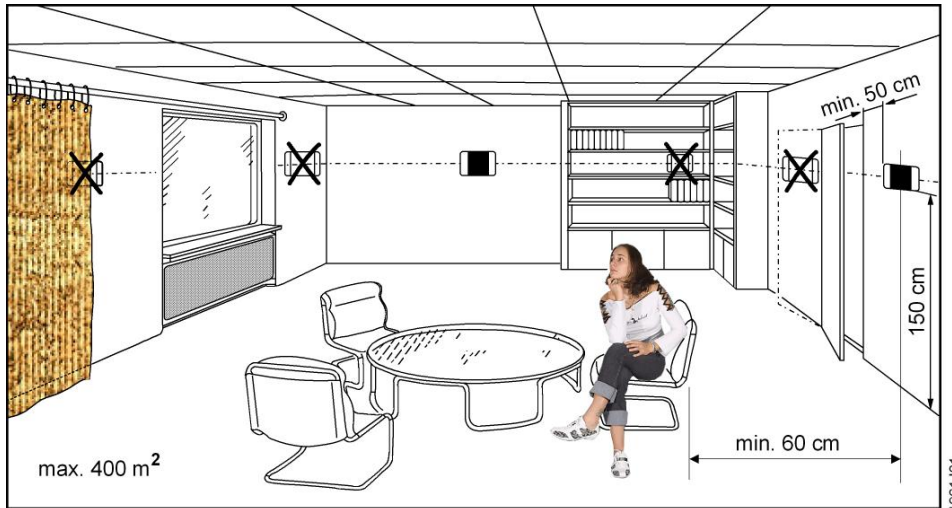


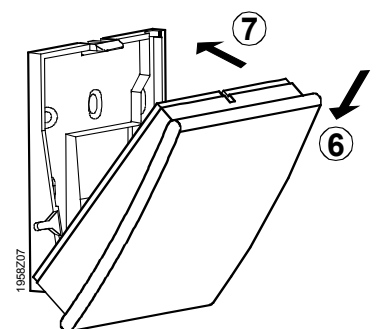
- de** Montageanleitung
- en** Mounting instructions
- fr** Instructions de montage
- sv** Monteringsinstruktion
- nl** Montage-aanwijzing
- it** Istruzioni di montaggio
- fi** Asennusohje
- es** Instrucciones de montaje
- da** Monteringsvejledning

## QPA10x4

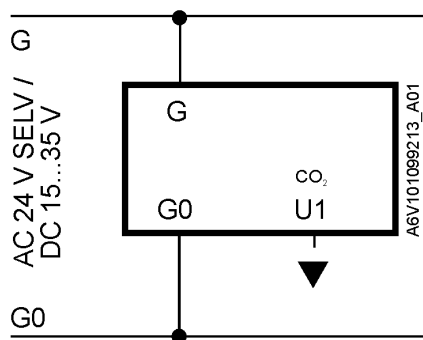


|  | min.                 | max.                    |
|--|----------------------|-------------------------|
|  | 0.25 mm <sup>2</sup> | 1 x 1.5 mm <sup>2</sup> |
|  | 0.25 mm <sup>2</sup> | 2 x 1.5 mm <sup>2</sup> |
|  | ⚠                    |                         |

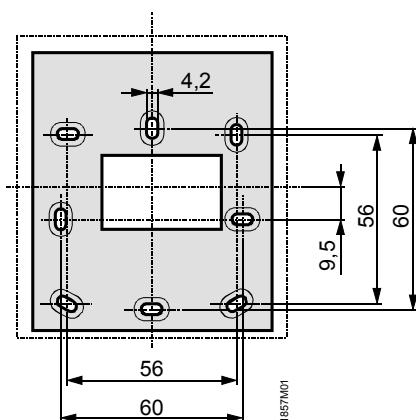
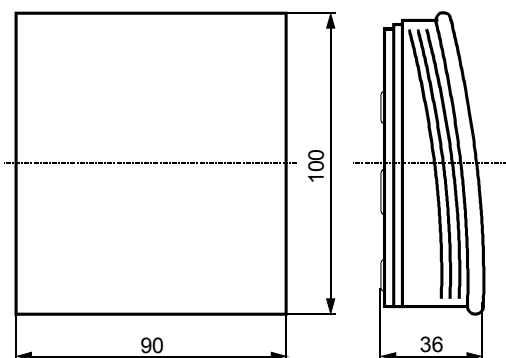
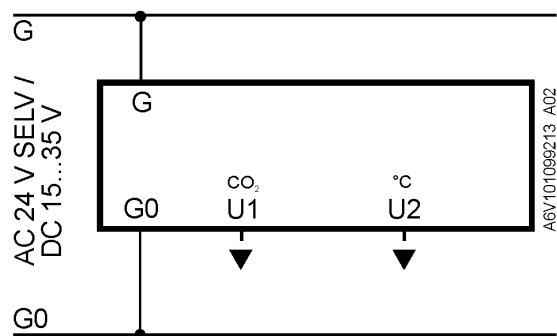
1958T01



**QPA1004**



**QPA1064**



Masse in mm  
 Dimensions in mm  
 Dimensions en mm  
 Mått i mm  
 Afmetingen in mm  
 Dimensioni in mm  
 Mitat mm  
 Dimensiones en mm  
 Mål i mm

Issued by  
 Siemens Switzerland Ltd  
 Building Technologies Division  
 International Headquarters  
 Gubelstrasse 22  
 6301 Zug  
 Schweiz  
 Tel. +41 41-724 24 24  
[www.siemens.com/buildingtechnologies](http://www.siemens.com/buildingtechnologies)

© Siemens Switzerland Ltd, 2017  
 Technical specifications and availability subject to change without notice