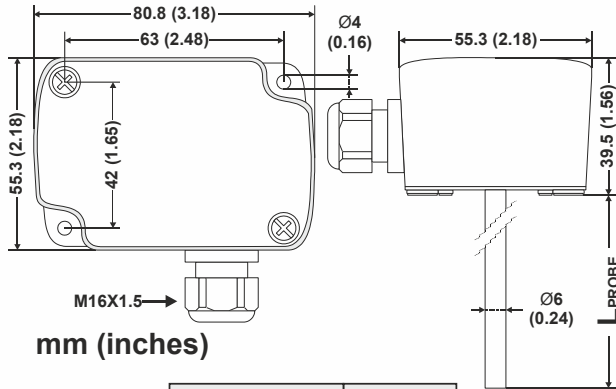


LF/VF/PF Temperature Sensors

D Montageanweisung
F Instructions d'installation

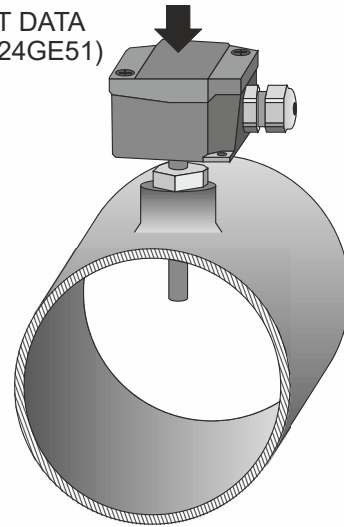
MOUNTING INSTRUCTIONS

IMMERSION WELL MOUNTING (VF SERIES)

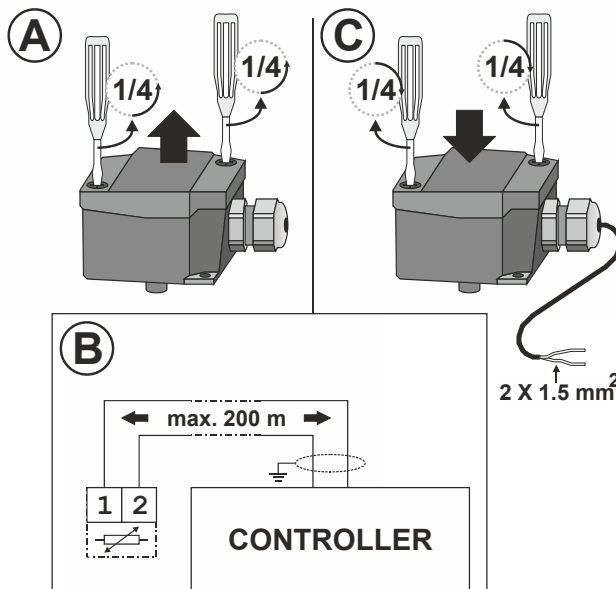


MODEL	L _{PROBE}	
	mm	inches
VFxx-5BxxNW	65	2.56
VFxx-1BxxNW	150	5.91
VFxx-3BxxNW	300	11.81

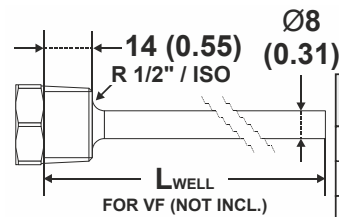
PROTECTION CLASS: IP54 / IP65
SEE ALSO:
VF / LF
PRODUCT DATA
(EN0B-0724GE51)



CABLE INSTALLATION

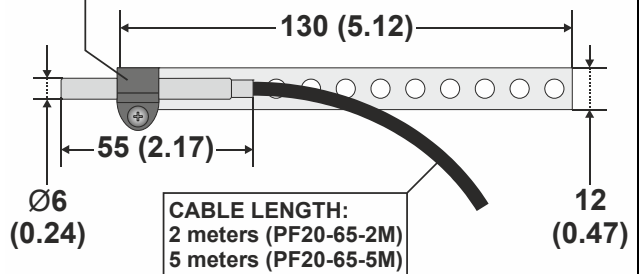


L_{WELL}, PF20 DIMENSIONS

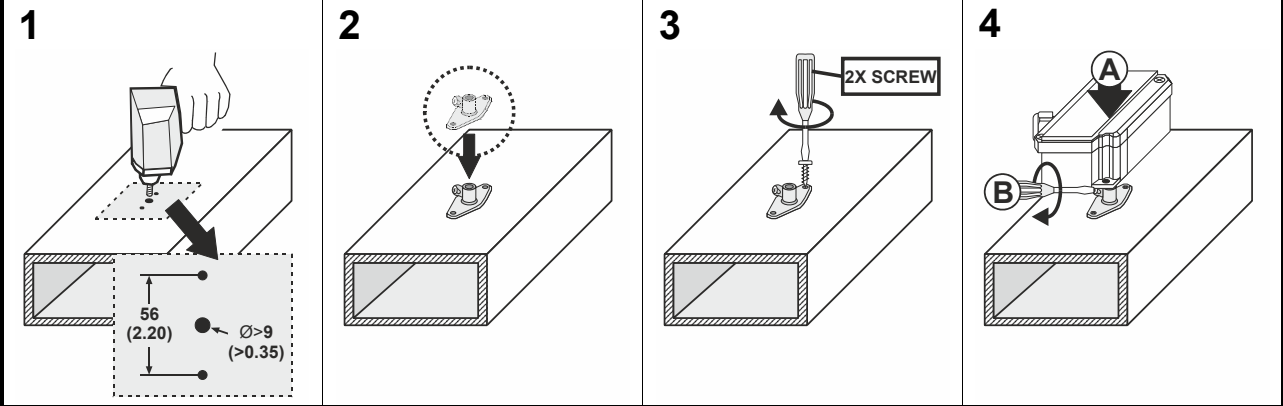
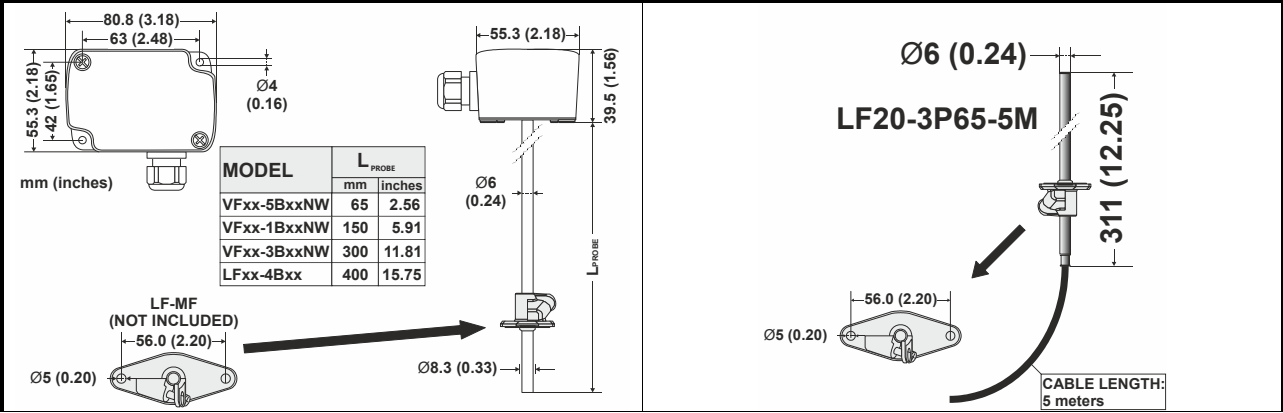


MODEL	L _{WELL}	
	mm	inches
WB50 / WS50	50	1.97
WB150 / WS150	135	5.31
WB300 / WS300	285	11.22

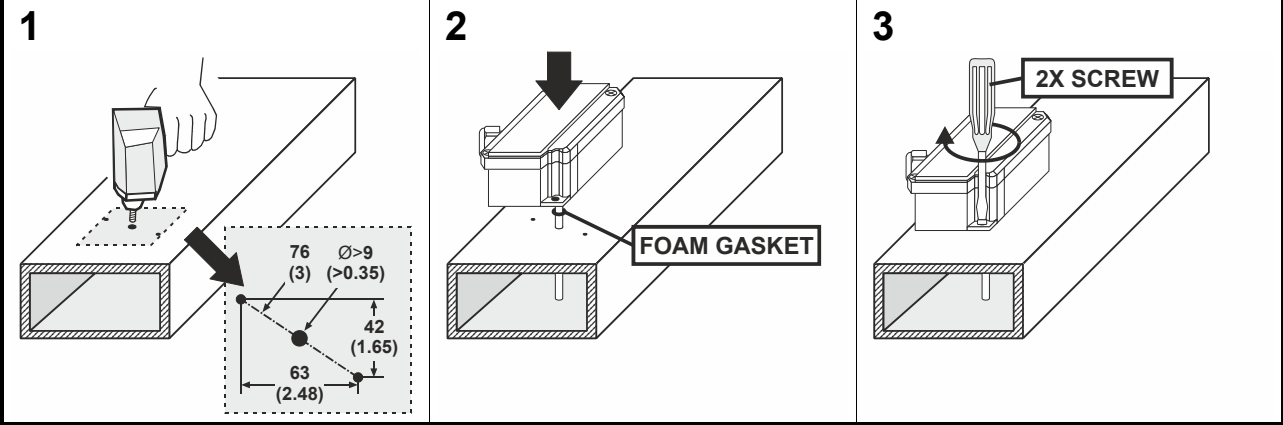
SENSOR CAN BE POSITIONED ON THE MOUNTING BRACKET IN STEPS OF 90°.



FLANGE MOUNTING (VF / LF SERIES)



MOUNTING DEVICE WITHOUT FLANGE / IMMERSION WELL (VF, LF SERIES)



Manufactured for and on behalf of the Connected Building Division of Honeywell Products and Solutions SARL, Z.A. La Pièce 16, 1180 Rolle, Switzerland by its Authorized Representative:

Home and Building Technologies
 Honeywell GmbH
 Böblinger Strasse 17
 71101 Schönaich, Germany
 Phone +49 (0) 7031 637 01
 Fax +49 (0) 7031 637 740
<http://ecc.emea.honeywell.com>