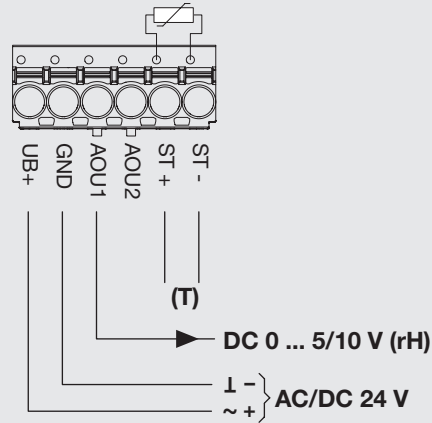
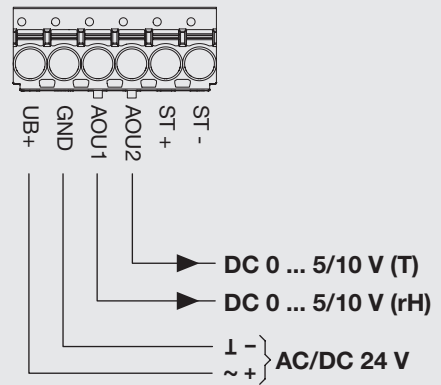


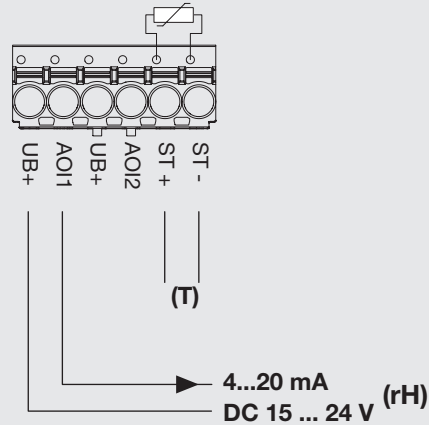
**0...5/10 V + ST**



**2 x 0...5/10 V**



**4...20 mA + ST**



**2 x 4...20 mA**

