

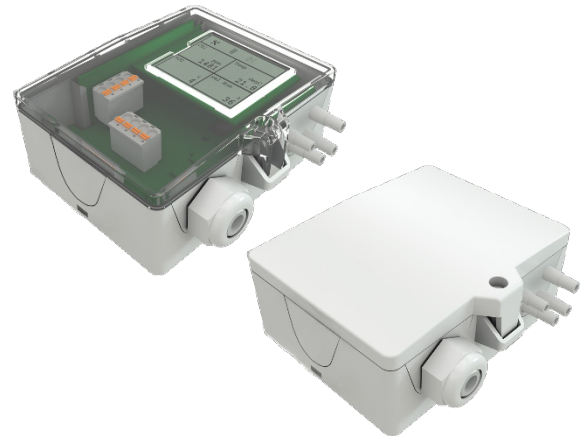
# » DPA+ Dual | DPA+ LCD Dual RS485 BACnet

Differential Pressure Transmitter

**thermokon**<sup>®</sup>  
HOME OF SENSOR TECHNOLOGY

## Datasheet

Subject to technical alteration  
Issue date: 14.08.2020 • A110



The following illustrations show the version with LCD

## » APPLICATION

Differential pressure and volume flow transducer for monitoring differential pressure and volume flow of air and other non-flammable and non-aggressive gases. LCD models with RGB background light have a transparent cover. Display configuration, k-values for flow calculation (default 1500) and threshold values for color changes can be parameterized via Thermokon USEapp. The mounting base (included in delivery) allows mounting on a level surface or mounting on DIN rail TS35 (35x7,5 mm) according to EN 60715.

## » TYPES AVAILABLE

Differential pressure and volume flow transducer optional with display – RS485 BACnet MS/TP

DPA2500+ (LCD) RS485 BACnet MultiRange <AZ>

MultiRange: Measuring ranges adjustable at the transducer  
<AZ>: automatic zero-point calibration (optional)

## » SECURITY ADVICE – CAUTION



The installation and assembly of electrical equipment should only be performed by authorized personnel.

The product should only be used for the intended application. Unauthorised modifications are prohibited! The product must not be used in relation with any equipment that in case of a failure may threaten, directly or indirectly, human health or life or result in danger to human beings, animals or assets. Ensure all power is disconnected before installing. Do not connect to live/operating equipment.

Please comply with

- Local laws, health & safety regulations, technical standards and regulations
- Condition of the device at the time of installation, to ensure safe installation
- This data sheet and installation manual

## » NOTES ON DISPOSAL



As a component of a large-scale fixed installation, Thermokon products are intended to be used permanently as part of a building or a structure at a pre-defined and dedicated location, hence the Waste Electrical and Electronic Act (WEEE) is not applicable. However, most of the products may contain valuable materials that should be recycled and not disposed of as domestic waste. Please note the relevant regulations for local disposal.

## » TECHNICAL DATA

Measuring values	differential pressure, volume flow	
Medium	air or other non-flammable/non-aggressive gases	
Output voltage	0..10 V or 0..5 V, min. load 10 kΩ, (live-zero Konfiguration über Thermokon USEapp)	
Network technology	RS485 BACnet MS/TP	
Power supply	15..35 V = or 19..29 V ~	
Power consumption	max. 2,3 W (24 V =)   max. 4,3 VA (24 V ~)	
Measuring range velocity	0... 750.000 m³/h (default), parametrierbar über Thermokon USEapp	
Measuring range pressure *selectable at the device	-100..+100   0..+100   0..+250   0..+500   0..+1000   0..+1500   0..+2000   0..+2500 Pa	
Accuracy pressure *deviation from calibration reference device (calibrator)	±5 Pa bei Messbereich <500 Pa, ±10 Pa bei Messbereich >500 Pa,	
Max. working overpressure	40 kPa	
Calibration	manually, automatic zero-point calibration (optional)	
Sensor	piezo measuring element	
Display (optional)	LCD 29x35 mm with RGB backlight units, pressure: Pa, inchWC, volume flow: m3/h, cfm (configurable)	
Enclosure (type-dependent)	<b>without LCD</b> enclosure USE-L, PC, pure white, with removable cable entry	<b>with LCD</b> enclosure USE-L, PC, pure white, cover PC, transparent, with removable cable entry
Protection	IP65 according to EN 60529	
Cable entry	M25, for wire max. Ø=7 mm, seal insert for fourfold cable entry	
Connection electrical	<b>Mainboard</b> removable plug-in terminal, max. 2,5 mm²	<b>Plug-in card</b> removable plug-in terminal, max. 1,5 mm²
Connection mechanical	pressure connection male Ø=5,0 mm / Ø=6,3 mm, connection tube: PVC, soft	
Ambient condition	-10..+50 °C, max. 85% rH short term condensation	
Mounting	screw mounted onto flat surface, prepared for mounting on DIN rail TS35 (35x7,5 mm) according to EN 60715	

## » PRODUCT TESTING AND CERTIFICATION



### Declaration of conformity

The declaration of conformity of the products can be found on our website <https://www.thermokon.de/>.

## » CONFIGURATION



The Thermokon bluetooth dongle with micro-USB is required for communication between USEapp and USE-M / USE L (Item No.: 668262). Commercial bluetooth dongles are not compatible.

Application-specific reconfiguration of the devices can be carried out using the Thermokon USEapp. The configuration is carried out in the voltage-supplied state.



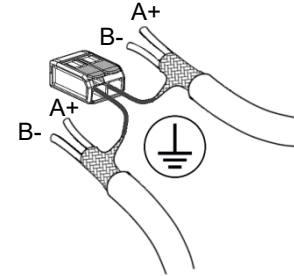
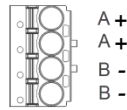
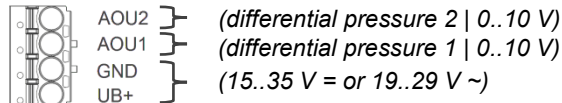
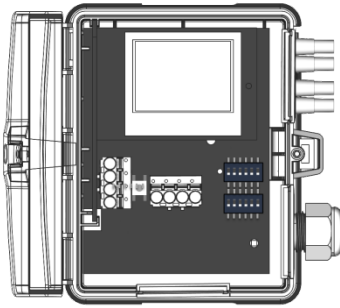
The configuration-app and the app description can be found in the Google Play Store or in the Apple App Store.



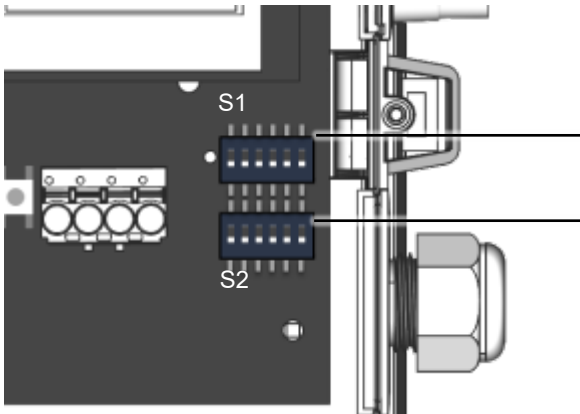
» **CONNECTION PLAN**

RS485 cable is looped through, connect both cable shields using the enclosed 2-pol. Connect terminal as shown.

**DPA+ (LCD) Dual RS485 BACnet Multirange**



**Dip switch, pressure sensor (2x)**



S1 – Dip-Schalter Block 1, Drucksensor 1

S2 – Dip-Schalter Block 2, Drucksensor 2

**Measuring range adjustment**

1 2 3	1 2 3	1 2 3	1 2 3	1 2 3	1 2 3	1 2 3	1 2 3	
0..+2500	0..+2000	0..+1500	0..+1000	0..+500	0..+250	0..+100	-100..+100	Pa
0..+10	0..+8	0..+6	0..+4	0..+2	0..+1	0..+0.4	-0.4..+0.4	inchWC

default

**Response time**

**Output voltage**

**Unit**

4	4	5	5	6	6
0,8 sec	4,0 sec	0..10 V	0..5 V	Pa	inchWC

default

default

default

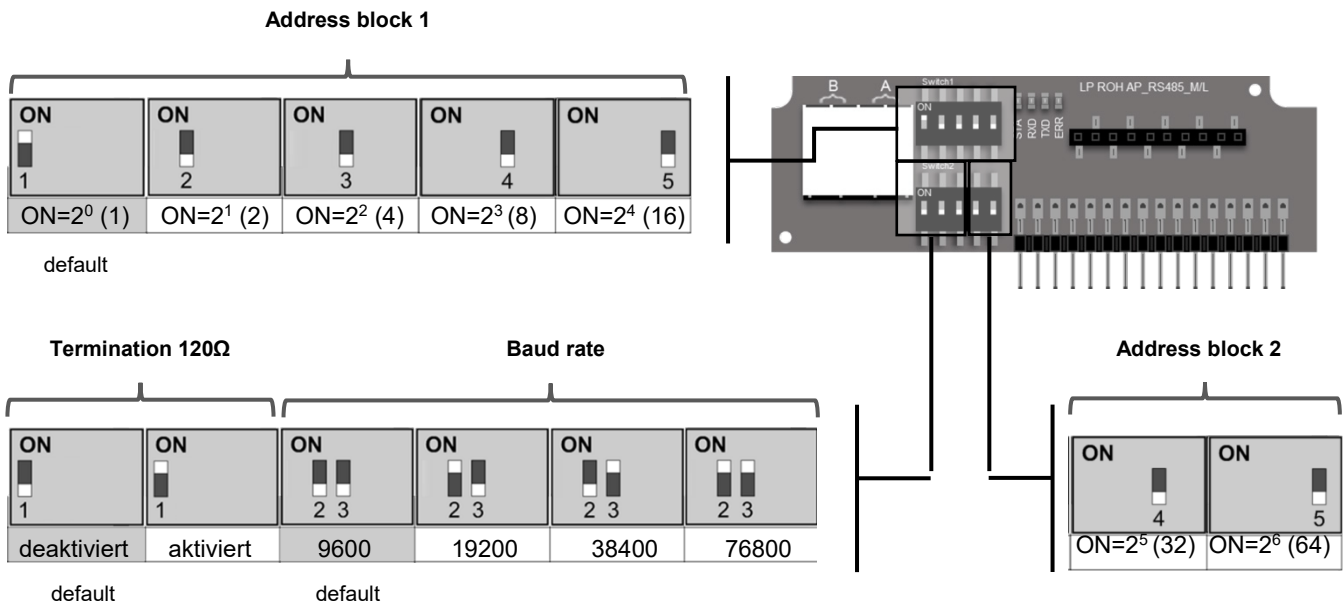
The BACnet address of the device is set binary coded in the range of 1 ... 127 via 7 dip-switches. (the address 0 is reserved and cannot be selected).



**BACnet Objects, PICS and BIBBs:**  
 USE-RS485 BACnet interface

A detailed description of the BACnet interface can be found at the following link:  
 → [Download](#)

Dip switches, plug-in card



Flow calculation: (default parameters)

$q = k * \sqrt{2 * \frac{\Delta p}{\rho}}$  with k=1500, fan manufacturer Rosenberg, Comefri, Nicotra Gebhardt, default measuring range 0..750.000 m³/h. **Further calculation formulas, fan manufacturers and k-values can be selected via the USEapp.**

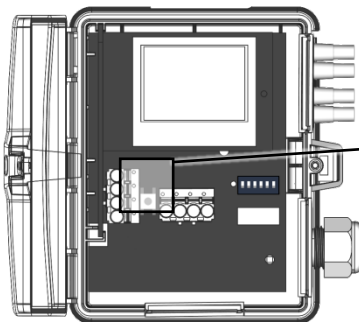
» **AUTOMATIC ZERO-POINT CORRECTION - (OPTIONAL)**



**Transmitters equipped with the auto-zero correction are maintenance free.**

The auto-zero correction electronically adjusts the transmitter zero every 10 minutes. The function eliminates all output signal drift due to thermal, electronic or mechanical effects. The auto-zero correction takes approx. 4 seconds after which the device returns to its normal measuring mode. During the 4 second correction period, the output and display values will freeze to the latest measured value.

» **MANUAL ZERO-POINT CORRECTION (FOR DEVICES WITHOUT AUTO-ZERO FUNCTION)**



In normal operation zero point correction should be executed every 12 months.

**Attention! For executing zero point correction the power supply must be connected one hour before.**

- Release both connection tubes from the pressure terminals + and -
- Press the button until the LED lights permanently
- Wait until the LED flashes again and reinstall the connection tubes to the pressure ports (note + and -)

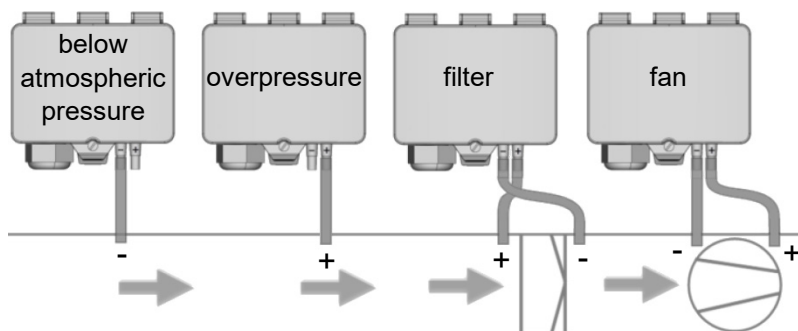
» **MEASURING VALUES**

Objects	Access	Description	Unit	
AI-8	R	<b>differential pressure 1</b>	SI	Pa
AI-9	R	<b>volumetric flow 1</b> (If Present Value is set to 2 in the AV-41 object, the value scales in the unit m³ / s)	SI	m³/h m³/s
Ai-10	R	<b>differential pressure 2</b>	SI	Pa
Ai-11	R	<b>volumetric flow 2</b> (If Present Value is set to 2 in the AV-41 object, the value scales in the unit m³ / s)	SI	m³/h m³/s

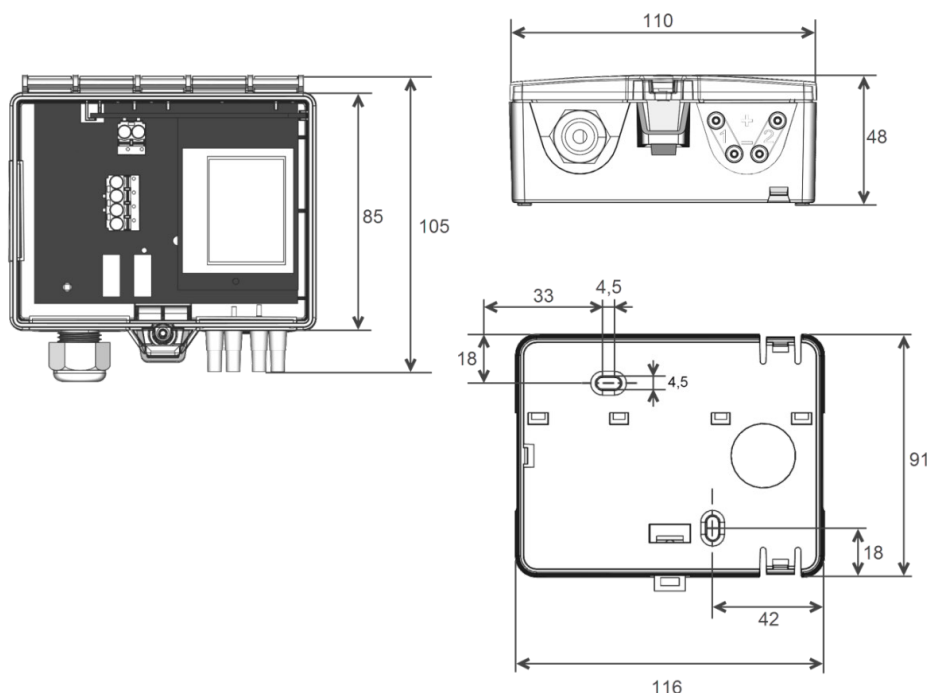
» **MOUNTING ADVICES**

Before installing the device, please check the leak tightness of the pressure lines. A prerequisite for the operation is a proper installation of all electrical supply, control and sensing leads as well as the pressurized connection line.

- In order to connect the device, the process lines must be unpressurized
- Consider the suitability of the device for the medium to be measured
- Consider maximum pressures



» **DIMENSIONS (MM)**



» **ACCESSORIES (INCLUDED IN DELIVERY)**

- Mounting base enclosure USE-L
- 2x 2 m PVC connection tube
- 2x KKS40 kit
- 2 plastic duct flanges • 4 mounting screws 4x20

Item No. 668361  
Item No. 484268  
Item No. 430135

- Mounting kit universal
- Cover screw + screw cover • 2 Rawlplugs • 2 Screws (countersunk head) • 2 Screws (rounded head)

Item No. 698511

» **ACCESSORIES (OPTIONAL)**

- Bluetooth dongle USE for USEapp
- T-hose connector for pressure hoses Ø=4 mm (10 pcs)
- Adapter 90° angle for pressure hoses Ø=4 mm
- Metal duct connectors 40 mm
- Metal duct connectors 100 mm

Item No. 668262  
Item No. 668323  
Item No. 668330  
Item No. 265138  
Item No. 302531