

» UD-A | UD-V

Display for pressure transmitter 4..20 mA | 0..10 V with DIN43650 connector

thermokon[®]
HOME OF SENSOR TECHNOLOGY

Datasheet

Subject to technical alteration
Issue date: 01.09.2021 · A121

» CHARACTERISTICS

- 360° turnable; the orientation of panel is variable
- Programmable, display value can be set according to sensor's spec.
- no extra power supply is required
- Programmable by pressing 2 buttons, easy to operate
- With extensive applications as process monitoring in semiconductor industry, steel industry, chemical industry, environmental engineering, food processing, pharmaceutical industry, power plants, research and development, etc.

» PRODUCT TESTING AND CERTIFICATION

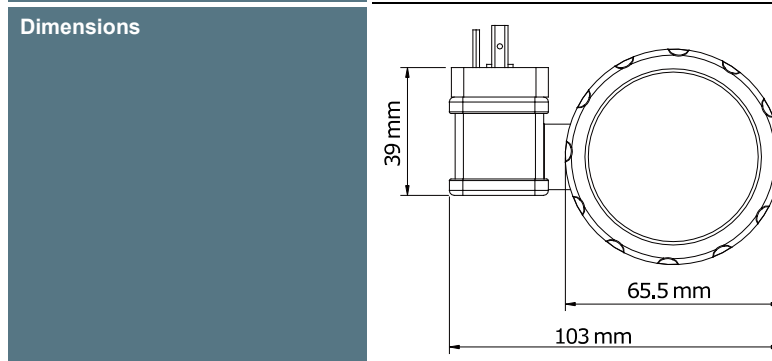


Declaration of conformity

The declaration of conformity of the products can be found on our website <https://www.thermokon.de/>.

» TECHNICAL DATA

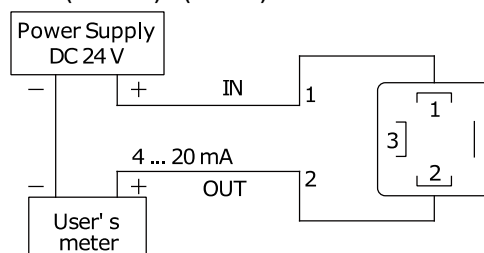
Input signal	UD-A 4..20 mA (2-wire)	UD-V 0..10 V (3-wire)
Display	4-digit LED	
Display range	-1999..+9999	
Scale	decimal point, programmable	
Display accuracy	0.2 % F.S.	
Overload current	UD-A 40 mA (2-wire)	
Electrical connection	DIN 43650 plug / DIN 43650 socket	
Protection	IP 65	
Ambient condition	-20..+60°C	
Enclosure	ABS, cover PC	



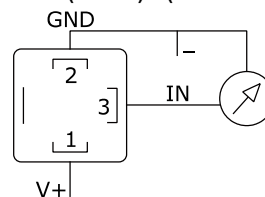
Connection (DIN46350) Power supply via transducer:

UD-A: 24V DC
UD-V: 24V DC / 24V AC ±10%

UD-A (4..20 mA) – (24V DC)



UD-V (0..10 V) – (24V DC or 24V AC ±10%)



» SECURITY ADVICE – CAUTION



The installation and assembly of electrical equipment should only be performed by authorized personnel. The product should only be used for the intended application. Unauthorised modifications are prohibited! The product must not be used in relation with any equipment that in case of a failure may threaten, directly or indirectly, human health or life or result in danger to human beings, animals or assets. Ensure all power is disconnected before installing. Do not connect to live/operating equipment.

Please comply with

- Local laws, health & safety regulations, technical standards and regulations
- Condition of the device at the time of installation, to ensure safe installation
- This data sheet and installation manual

» NOTES ON DISPOSAL



As a component of a large-scale fixed installation, Thermokon products are intended to be used permanently as part of a building or a structure at a pre-defined and dedicated location, hence the Waste Electrical and Electronic Act (WEEE) is not applicable. However, most of the products may contain valuable materials that should be recycled and not disposed of as domestic waste. Please note the relevant regulations for local disposal.

» CONFIGURATION

The integrated menu system allows the user to fully configure the display. If you didn't press any key over 20 s during setting, the settings menue will exit automatically and return to mainscreen without save.

