

Differential pressure sensor Air dual

Differential pressure transmitter with two independent measuring systems. With each 8 selectable ranges and one output 0...5 V/10 V. For monitoring the differential pressure of air and other non-flammable and non-aggressive gases. Typical application in HVAC systems for monitoring air filters, fans V-belts or fire and smoke control dampers. Options available with LCD display. IP65 / NEMA 4X rated enclosure.



Type Overview

Type	Measuring range pressure [Pa]	Output signal active pressure	Burst pressure	Display type
22ADP-124D	-100...2500	0...5 V, 0...10 V	40 kPa	-
22ADP-124F	-100...2500	0...5 V, 0...10 V	40 kPa	LCD

Technical data

Electrical data	Nominal voltage	AC/DC 24 V			
	Nominal voltage range	AC 19...29 V / DC 15...35 V			
	Power consumption AC	1.7 VA			
	Power consumption DC	1.1 W			
	Electrical connection	Pluggable spring loaded terminal block max. 2.5 mm ²			
	Cable entry	Cable gland with strain relief Ø6...8 mm			
Functional data	Sensor Technology	Piezo measuring element			
	Application	Air			
	Multirange	8 measuring ranges selectable			
	Voltage output	2x 0...5 V, 0...10 V, min. load 10 kΩ			
	Output signal active note	Output 0...5/10 V selectable with switch			
	Display	LCD, 29x35 mm, Measured values: Pa, inch WC (parametrisable), with backlight			
	Response time	Adjustable 0.8 s or 4.0 s			
Measuring data	Measured values	Differential pressure			
	Measuring fluid	Air and non-aggressive gases			
	Measuring range pressure settings	Setting	Range [Pa]	Range [inch WC]	Factory setting
		S0	0...2500	0...10	✓
		S1	0...2000	0...8	
		S2	0...1500	0...6	
		S3	0...1000	0...4	
		S4	0...500	0...2	
		S5	0...250	0...1	
		S6	0...100	0...0.4	
S7	-100...100	-0.4...0.4			
Accuracy pressure	Deviation compared to the reference device measuring range ≤500 Pa: ±5 Pa measuring range >500 Pa: ±10 Pa				
Long-term stability	±2.5% FSO (Full Scale Output) / 4 yr.				
Materials	Cable gland	PA6, black			

Materials	Housing	Cover: PC, orange Bottom: PC, orange Seal: NBR70, black UV resistant
	<hr/>	
Safety data	Ambient humidity	Max. 95% RH, non-condensing
	Ambient temperature	-10...50°C [15...120°F]
	Fluid temperature	-10...50°C [15...120°F]
	Protection class IEC/EN	III, Safety Extra-Low Voltage (SELV)
	Power source UL	Class 2 Supply
	EU Conformity	CE Marking
	Certification IEC/EN	IEC/EN 60730-1 and IEC/EN 60730-2-6
	Certification UL	cULus acc. to UL60730-1A/-2-6, CAN/CSA E60730-1
	Degree of protection IEC/EN	IP65
	Degree of protection NEMA/UL	NEMA 4X
	Enclosure	UL Enclosure Type 4X
	Quality Standard	ISO 9001
	Mode of operation	Type 1
	Pollution degree	3
	Rated impulse voltage supply	0.8 kV
Construction	Independently mounted control	

Safety notes


This device has been designed for use in stationary heating, ventilation and air-conditioning systems and must not be used outside the specified field of application. Unauthorised modifications are prohibited. The product must not be used in relation with any equipment that in case of a failure may threaten humans, animals or assets.

Ensure all power is disconnected before installing. Do not connect to live/operating equipment.

Only authorised specialists may carry out installation. All applicable legal or institutional installation regulations must be complied during installation.

The device contains electrical and electronic components and must not be disposed of as household refuse. All locally valid regulations and requirements must be observed.

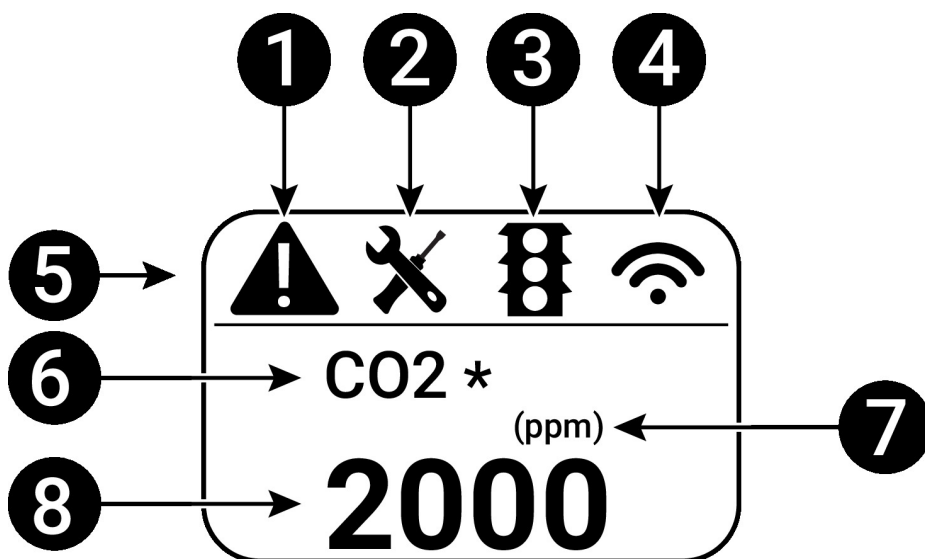
Remarks

- Manual zero-point calibration** In normal operation zero-point calibration should be executed every 12 months.
Attention! For executing zero-point calibration the power supply must be connected one hour before.
- Release both connection tubes from the pressure terminals + and -
 - Press the button until the LED lights permanently
 - Wait until the LED flashes again and reinstall the connection tubes to the pressure ports (note + and -)

Operating controls and indicators

Indicator elements Depending on the device and the number of measured values, the display automatically scales. Parameters, such as the fading in/out of measured values, brightness and traffic light function, are changed via the app or bus system. During the boot process, the software and hardware versions are displayed.

1	Fault / sensor failure
2	Service / visual inspection due
3	TLF (traffic light function) active (thresholds for display colour changes)
4	Radio active (not available)
5	Status bar
6	Measured value (* appears when TLF function is activated for this value)
7	Unit of measure
8	Measured value


Scope of delivery

Scope of delivery	Description	Type
	Mounting plate L housing	A-22D-A10
	Duct connector kit, PVC tube 2 m, 2 connection elements (Plastic) for 22ADP-..	A-22AP-A08
	Dowel	
	Screws	

Accessories

Optional accessories	Description	Type
	Pitot tube, Metal, L 40 mm, Tube connection 5 mm	A-22AP-A02
	Pitot tube, Metal, L 100 mm, Tube connection 5 mm	A-22AP-A04
	Connection adapter, M20x1.5, for cable 1x6 mm, Multipack 10 pcs.	A-22G-A01.1
	Air flow volume probe 100 mm, for round duct	EXT-AC-R100
	Air flow volume probe 125 mm, for round duct	EXT-AC-R125
	Air flow volume probe 160 mm, for round duct	EXT-AC-R160
	Air flow volume probe 200 mm, for round duct	EXT-AC-R200
	Air flow volume probe 250 mm, for round duct	EXT-AC-R250
	Air flow volume probe 315 mm, for round duct	EXT-AC-R315
	Air flow volume probe 400 mm, for round duct	EXT-AC-R400
	Air flow volume probe 500 mm, for round duct	EXT-AC-R500
	Air flow volume probe 630 mm, for round duct	EXT-AC-R630
	Air flow volume probe 200 mm, for rectangular duct	EXT-AC-L200
	Air flow volume probe 250 mm, for rectangular duct	EXT-AC-L250
	Air flow volume probe 300 mm, for rectangular duct	EXT-AC-L300
	Air flow volume probe 400 mm, for rectangular duct	EXT-AC-L400
	Air flow volume probe 500 mm, for rectangular duct	EXT-AC-L500
	Air flow volume probe 600 mm, for rectangular duct	EXT-AC-L600
	Air flow volume probe 700 mm, for rectangular duct	EXT-AC-L700
Service tools	Description	Type
	Belimo Duct Sensor Assistant App	Belimo Duct Sensor Assistant App
	Bluetooth dongle for Belimo Duct Sensor Assistant App	A-22G-A05

* EXT-AC-.. Air flow volume probe can only be used in combination with the Bluetooth dongle A-22G-A05 and the Belimo Duct Sensor Assistant App.

* Bluetooth dongle A-22G-A05

Certified and available in North America, European Union, EFTA States and UK.

Service

Service tools connection This sensor can be operated and parametrised using the Belimo Duct Sensor Assistant App. When using the Belimo Duct Sensor Assistant App, the bluetooth dongle is required to enable communication between the app and the Belimo sensor.

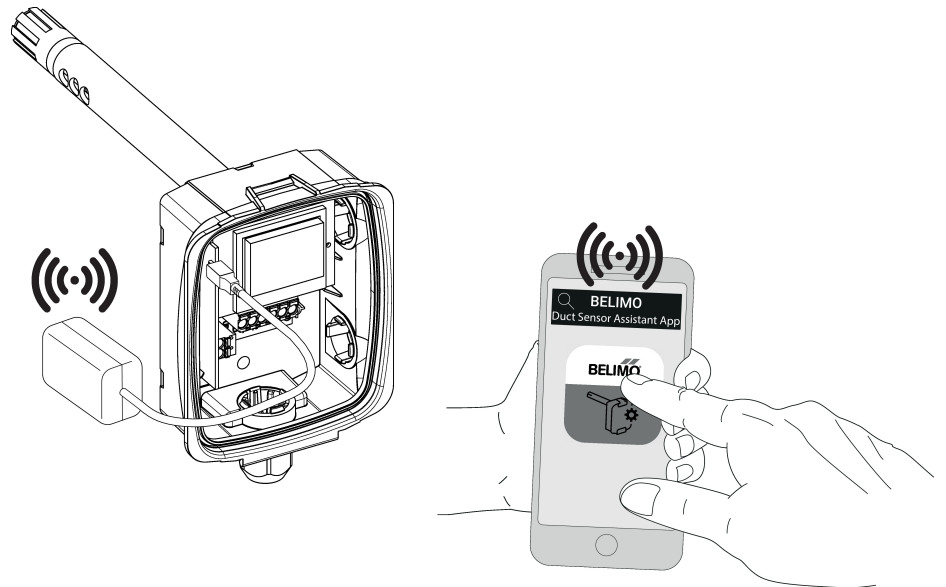
For the standard operation and parametrisation of the sensor the bluetooth dongle and the Belimo Duct Sensor Assistant App are not needed. The sensor will arrive pre-configured with the factory default settings shown above.

Requirement:

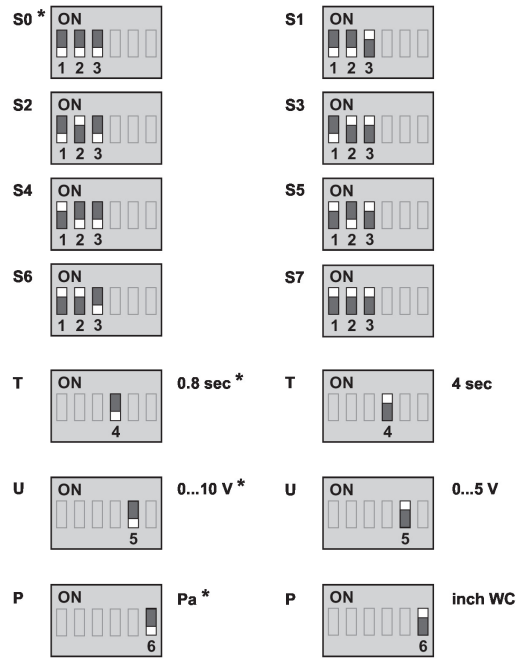
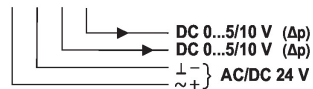
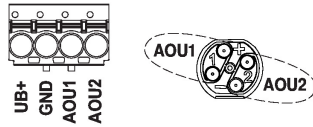
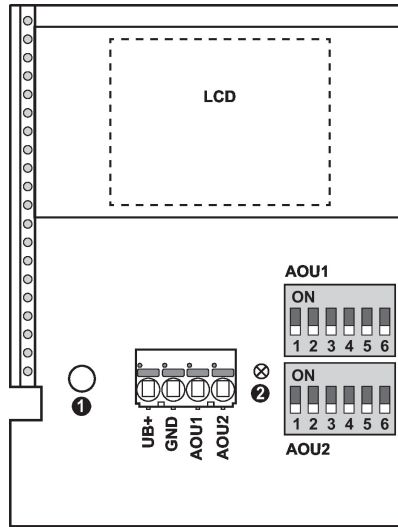
- Bluetooth dongle (Belimo Part No: A-22G-A05)
- Bluetooth-capable smartphone
- Belimo Duct Sensor Assistant App (Google Play & Apple App Store)

Procedure:

- Plug the Bluetooth dongle into the sensor via the Micro-USB connector or by means of the interface PCB
- Connect Bluetooth-capable smartphone with Bluetooth dongle
- Select parametrisation in the Belimo Duct Sensor Assistant App

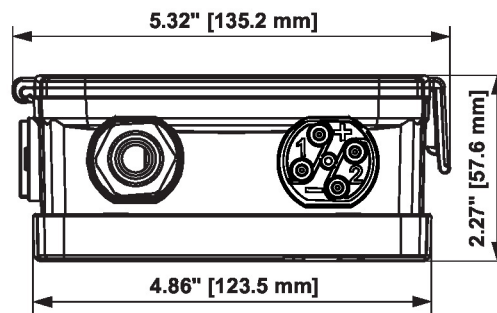
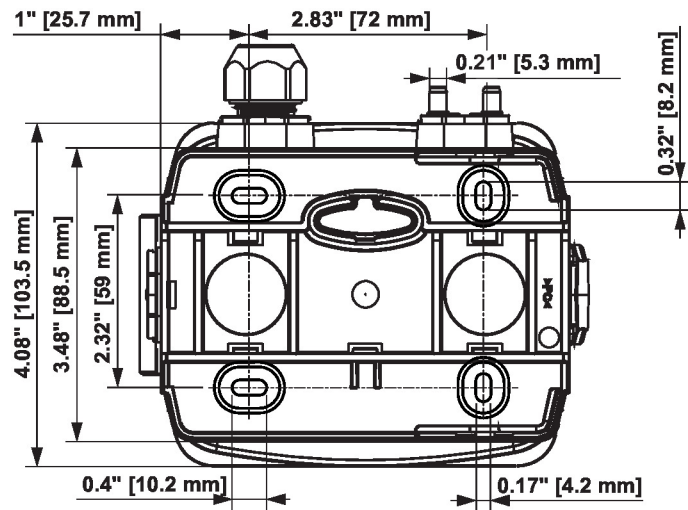


Wiring diagram



Setting	Range [Pa]	Range [inch WC]	Factory setting
S0	0...2500	0...10	✓
S1	0...2000	0...8	
S2	0...1500	0...6	
S3	0...1000	0...4	
S4	0...500	0...2	
S5	0...250	0...1	
S6	0...100	0...0.4	
S7	-100...100	-0.4...0.4	

Dimensions



Type	Weight
22ADP-124D	0.44 kg
22ADP-124F	0.48 kg