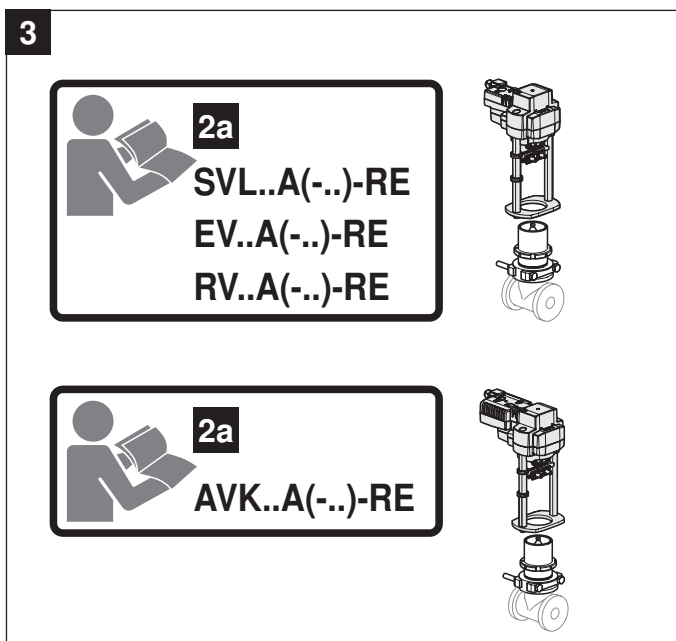
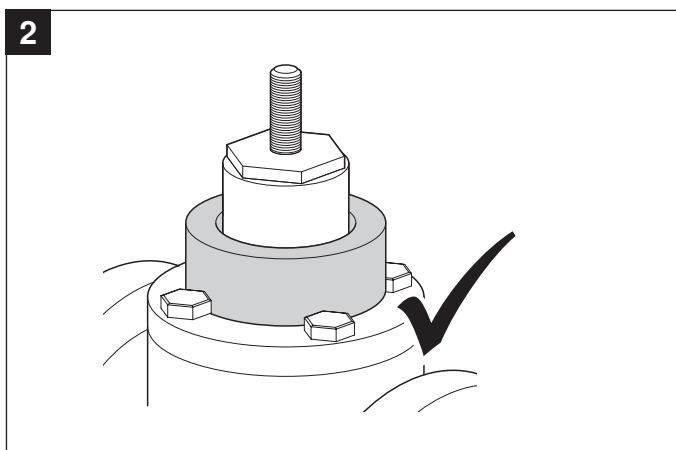
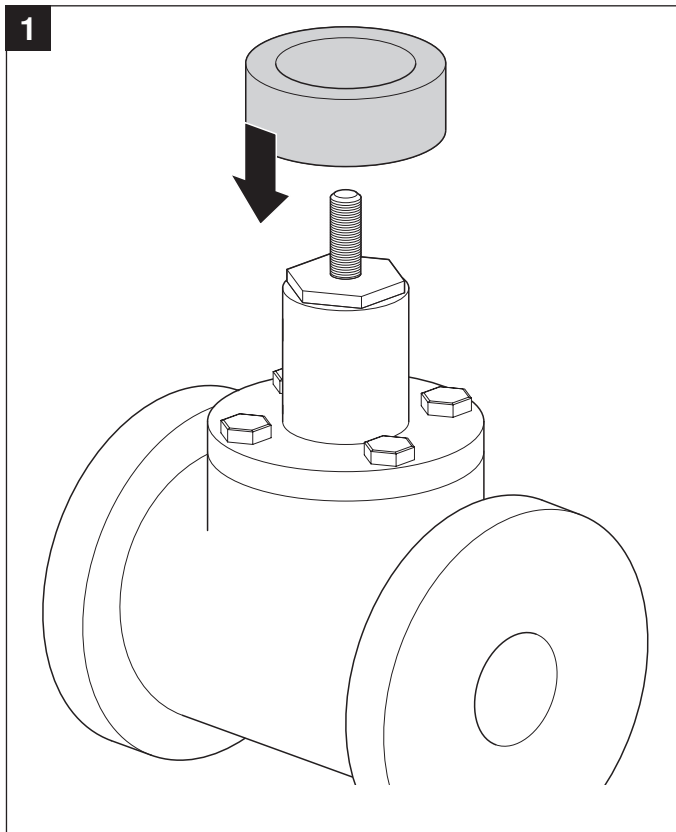
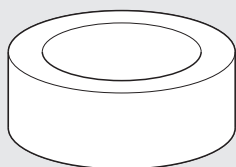


SIEBE / SCHNEIDER ELECTRIC

71682-00001.B



SIEBE SCHNEIDER ELECTRIC	DN min. / max.	t
VB-8223	65 / 150	2 ... 150 °C
VB-9213		