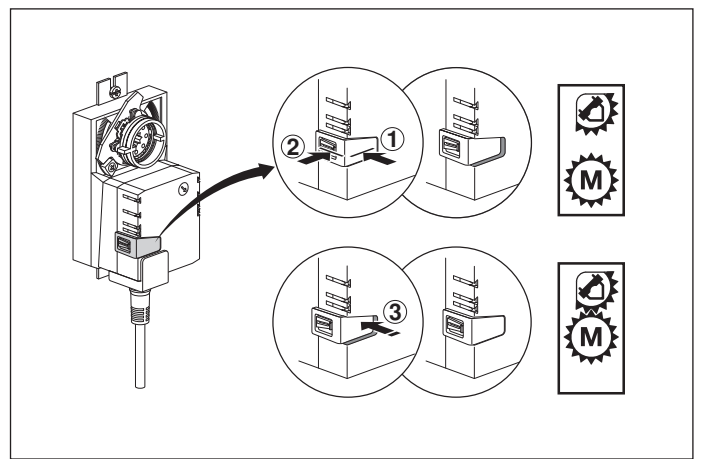
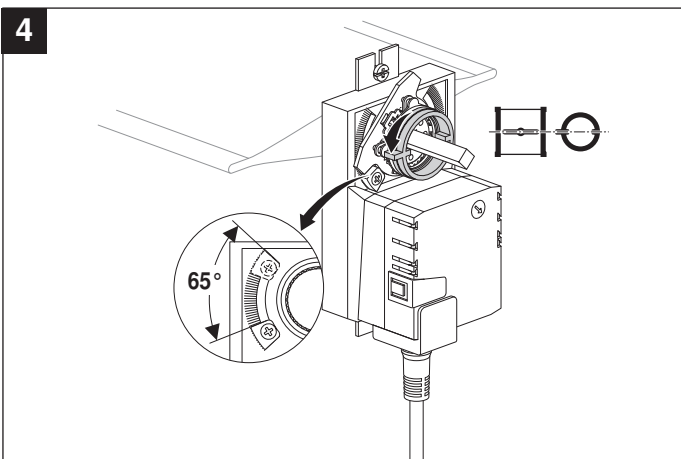
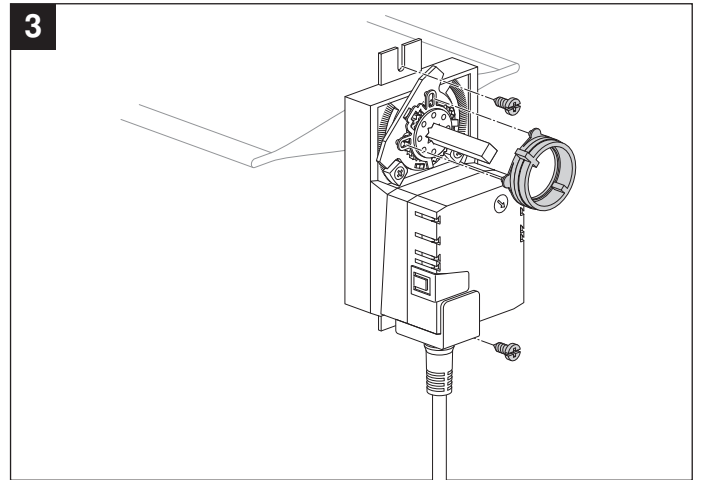
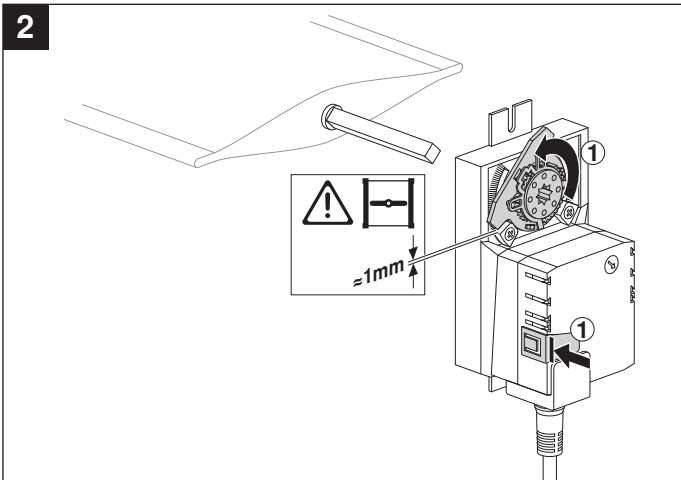
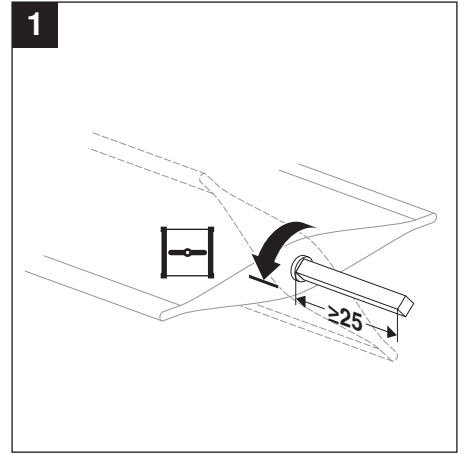
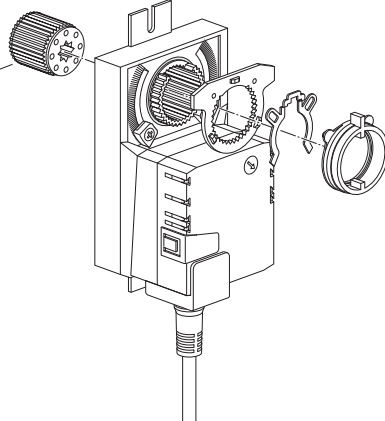
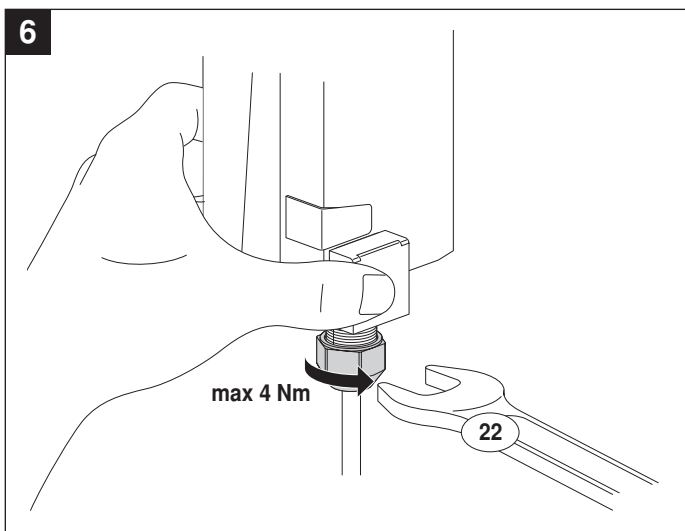
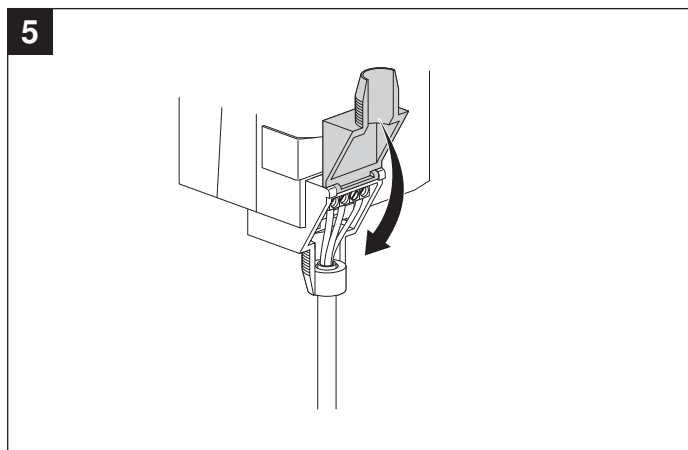
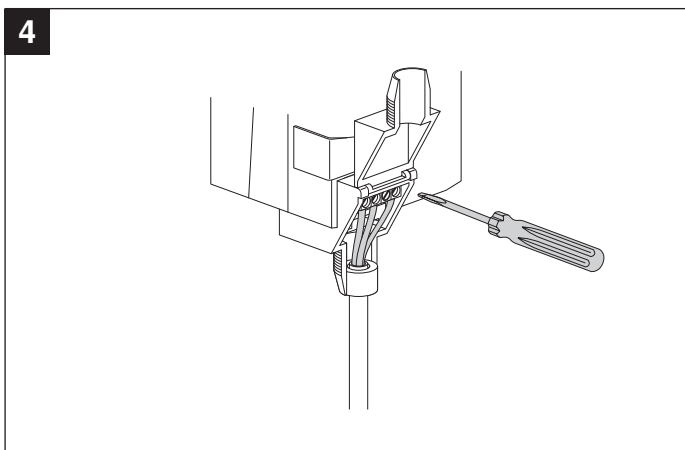
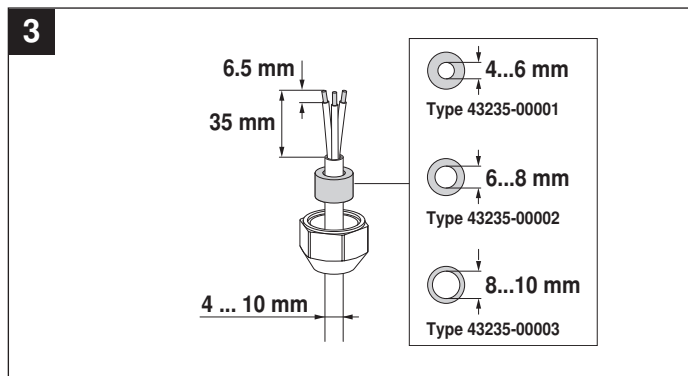
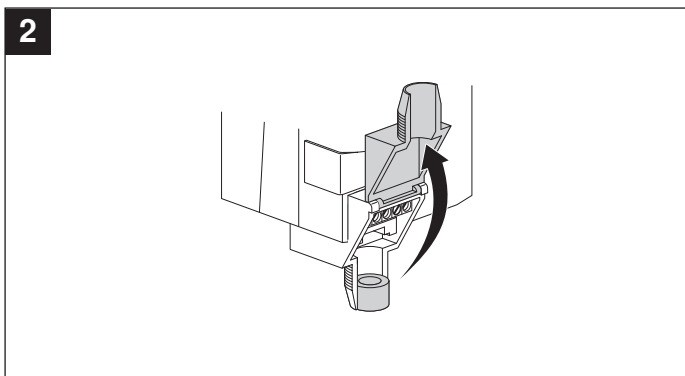
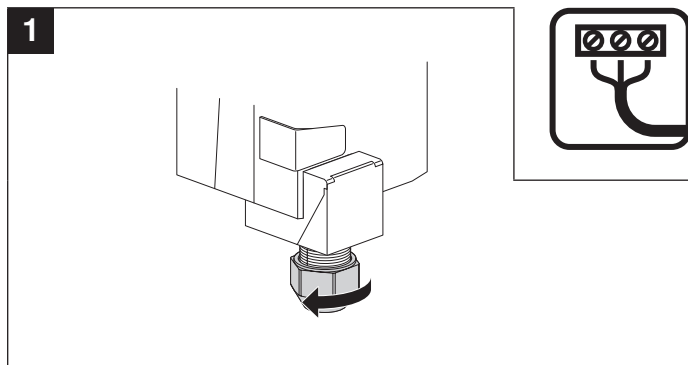
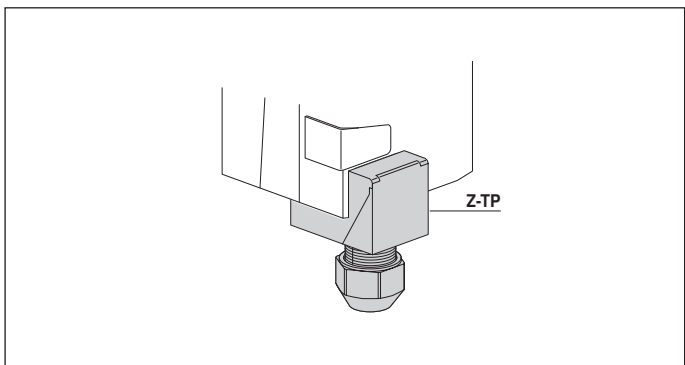


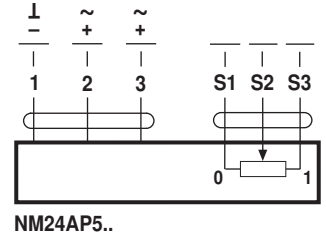
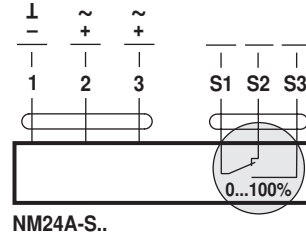
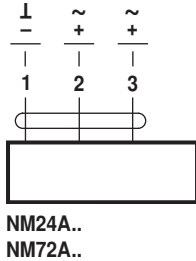
- ZF8-NMA
- ZF10-NSA
- ZF12-NSA
- ZF16-NSA



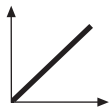
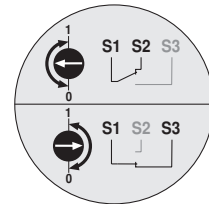
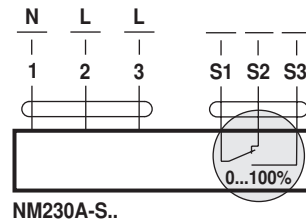
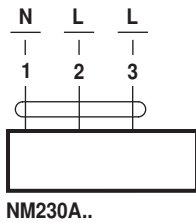




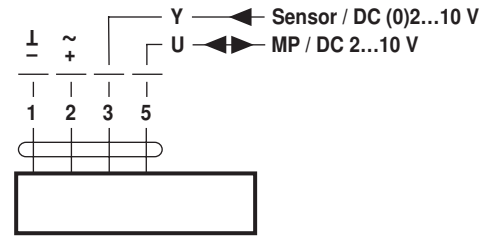
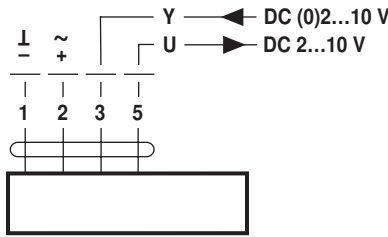
AC 24 V / DC 24 V
DC 48 ... 110 V
(NM72A..)



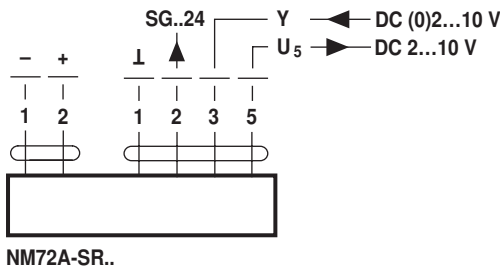
AC 100 ... 240 V



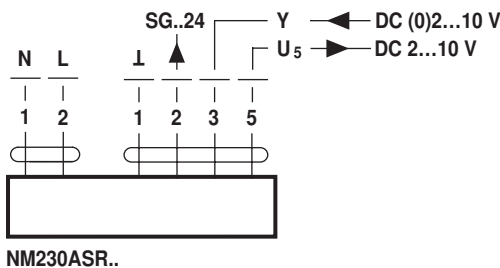
AC 24 V / DC 24 V



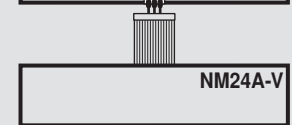
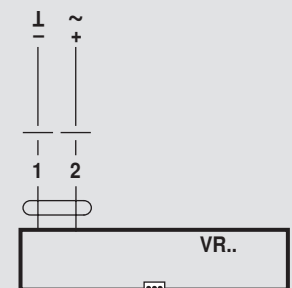
DC 48 ... 110 V



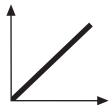
AC 100 ... 240 V



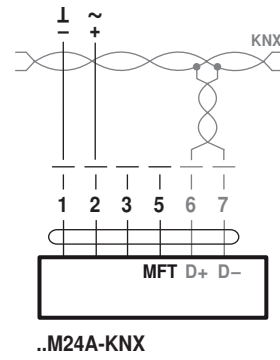
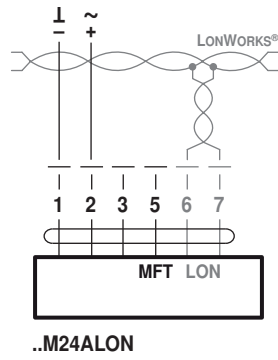
AC 24 V / DC 24 V
(NM24A-V / VR..)



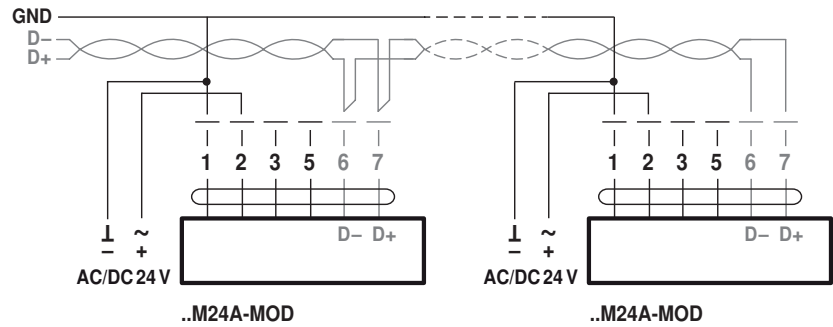
NM24A-V / VR..



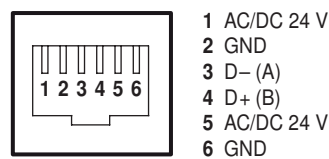
AC 24 V / DC 24 V



BACnet MS/TP / Modbus RTU

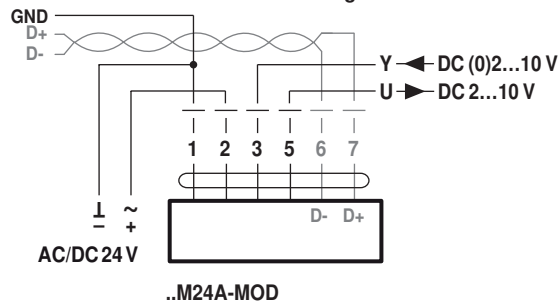


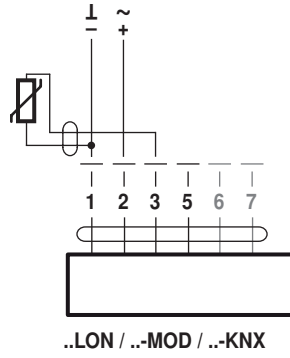
BACnet MS/TP / Modbus RTU



..M24A-MOD-J6

BACnet MS/TP / Modbus RTU / analog





Ni1000	-28...+98°C	850...1600 Ω ²⁾
PT1000	-35...+155°C	850...1600 Ω ²⁾
NTC	-10...+160°C ¹⁾	200 Ω...60 kΩ ²⁾

