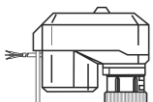


D DREIWEGE-VENTIL
 F VANNE MELANGEUSE 3 VOIES, A SIEGE
 IT VALVOLA LINEARE A 3 VIE
 NL DRIEWEGMENGAFSLUITER

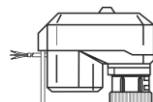
V5078A,B 3-WAY LINEAR VALVE

MOUNTING INSTRUCTIONS

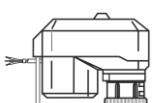
1



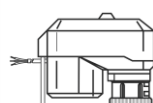
M6410C2023



M6410C4029




M6410L2023

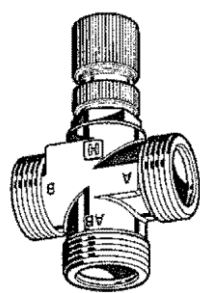


M6410L4029

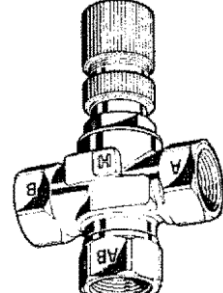
+



+




V5078A




V5078B

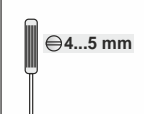
ADAPTER RING, 1.5 mm
 ORDER NO.: 0903403




M7410C1007

2






4...5 mm



MU1B-0621GE51

NOMINAL PRESSURE RATING:
 PN16

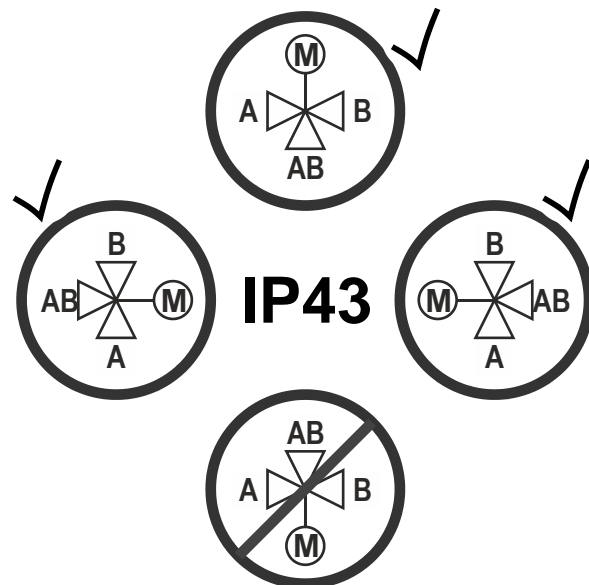
CONTROLLED FLUID:
 CHILLED OR HOT WATER AS PER
 VDI2035, WITH UP TO 50% GLYCOL.
 NOT FOR USE WITH STEAM OR
 FUELS.



+120 °C
 +2 °C


**MEDIA
 TEMPERATURE
 RANGE**

3



IP43

Copyright © 2016 Honeywell Inc. • All Rights Reserved



MU1B-0621GE51 R0516A

BYPASS

4

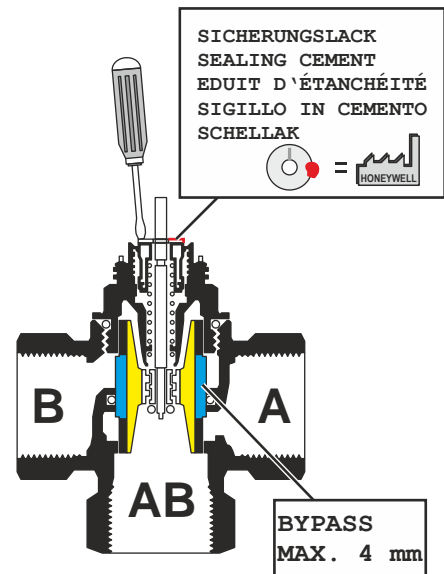
DIE VENTILE SIND IN DER NORMALSTELLUNG (KEIN BYPASS, 8 mm HUB) DURCH ROTEN SICHERUNGSLACK GEKENNZEICHNET.

VALVES IN NORMAL POSITION (NO BYPASS, 8 mm STROKE) ARE SECURED BY SEALING CEMENT.

VANNE EN POSITION NORMALE (PAS DE BYPASS, COURSE 8 mm) BLOQUÉE PER UN ENDUIT D'ÉTANCHÉITÉ ROUGE.

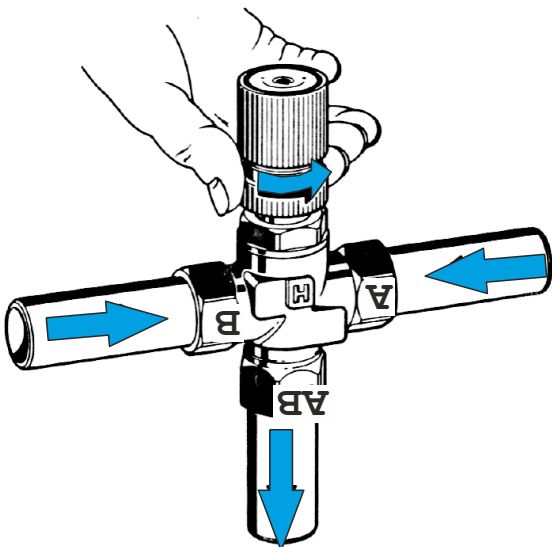
VALVOLA IN POSIZIONE NORMALE (NO BYPASS, CORSA 8 mm) SICURZZA CON SIGILLO IN CEMENTO ROSSO.

KIEP BIJ NORMALE INSTELLING (GEEN BYPASS, 8 mm SLAG) KENBAAR AAN ONGEBROKEN RODE SCHELLAK.

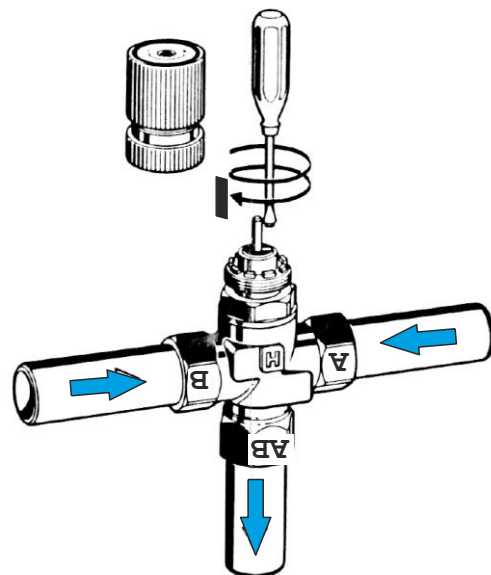


BYPASS ADJUSTMENT

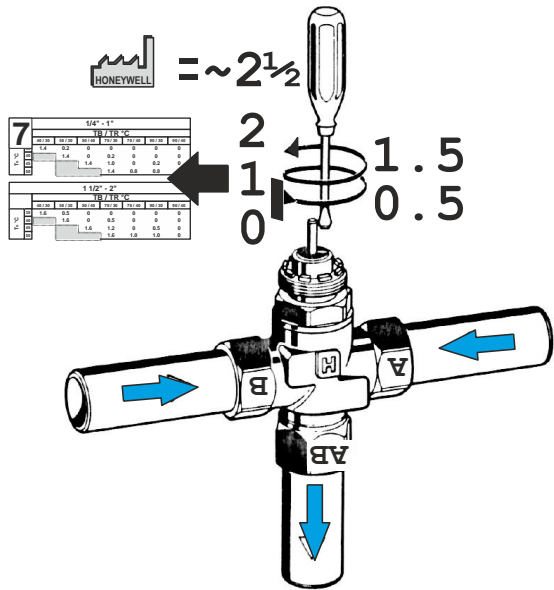
5A



5B



5C



6

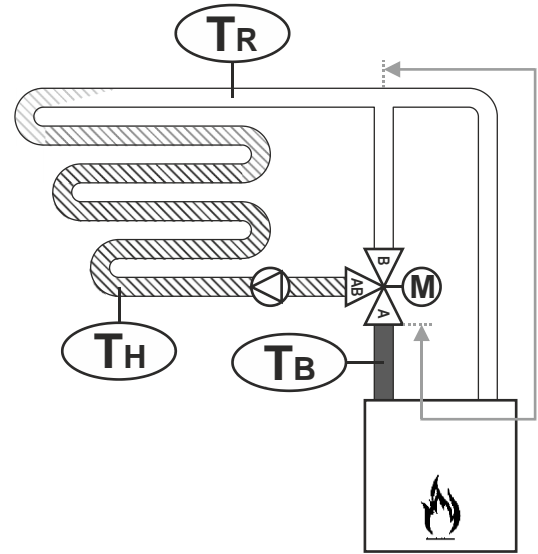


TABLE (TYPICAL SETTINGS FOR VALVE AUTHORITY > 0.8)

7

		1/4" - 1"						
		TB / TR °C →						
		40 / 30	50 / 30	50 / 40	70 / 30	70 / 40	90 / 30	90 / 40
T _H °C ↓	35	1.4	0.2	0	0	0	0	0
	40		1.4	0	0.2	0	0	0
	45			1.4	1.0	0	0.2	0
	50				1.4	0.8	0.8	0

		1 1/2" - 2"						
		TB / TR °C →						
		40 / 30	50 / 30	50 / 40	70 / 30	70 / 40	90 / 30	90 / 40
T _H °C ↓	35	1.6	0.5	0	0	0	0	0
	40		1.6	0	0.5	0	0	0
	45			1.6	1.2	0	0.5	0
	50				1.6	1.0	1.0	0

Honeywell

Manufactured for and on behalf of the Environmental & Energy Solutions Division of Honeywell Technologies Sàrl, Rolle, Z.A. La Pièce 16, Switzerland by its Authorized Representative:

Automation and Control Solutions

Honeywell GmbH
Böblinger Strasse 17
71101 Schönaich, Germany
Phone +49 (0) 7031 637 01
Fax +49 (0) 7031 637 740
<http://ecc.emea.honeywell.com>

MU1B-0621GE51 R0516A

Subject to change without notice