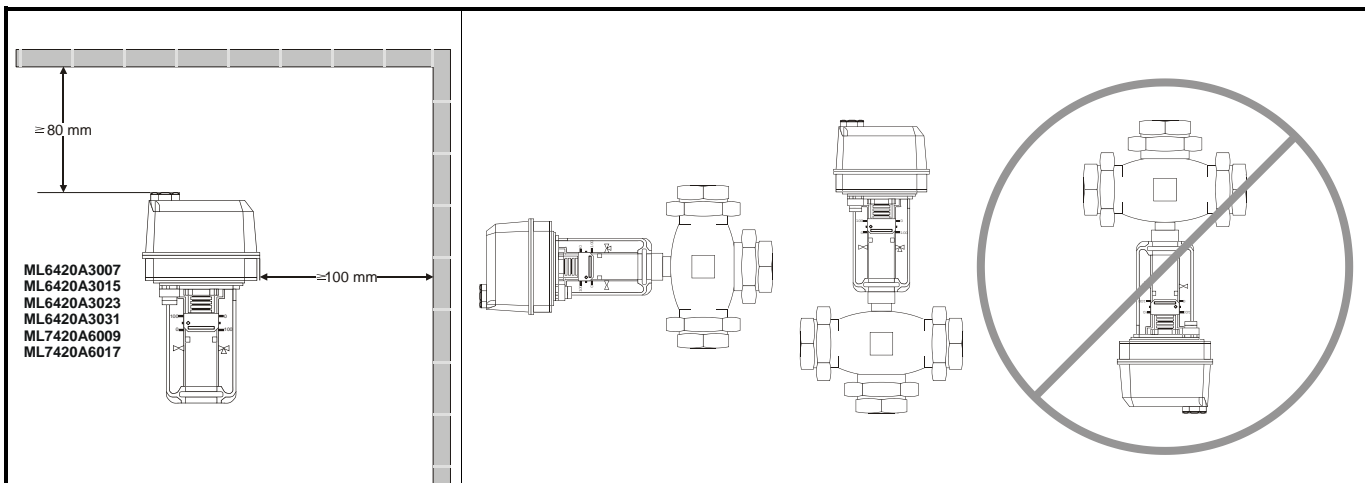


D Montageanweisung
F Instructions d'installation
I Istruzioni di montaggio
NL Installatievoorschrift
DK Installationsinstruktus
N Installationsinstruktioner
FIN Asennusohje
S Installation instruktioner
E Instrucciones de montaje

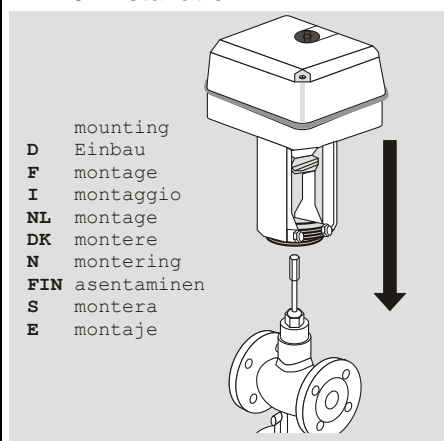
ML6420A30xx/ML7420A60xx

Electric Linear Valve Actuators

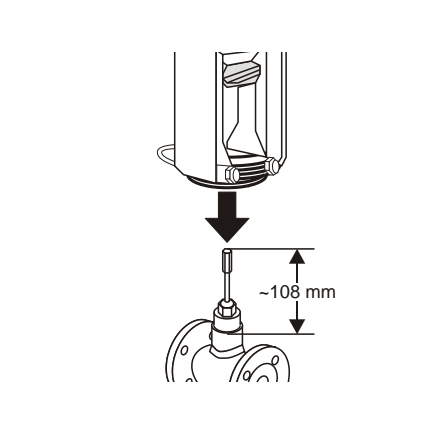
INSTALLATION INSTRUCTIONS



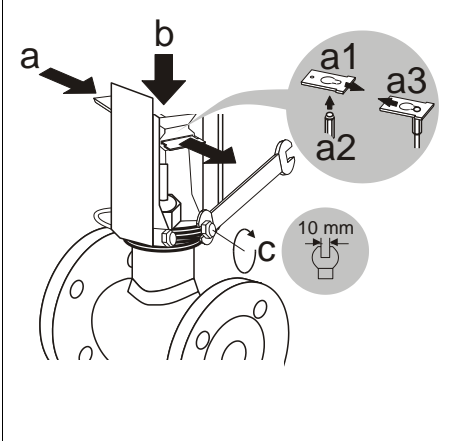
A1-A6: Installation



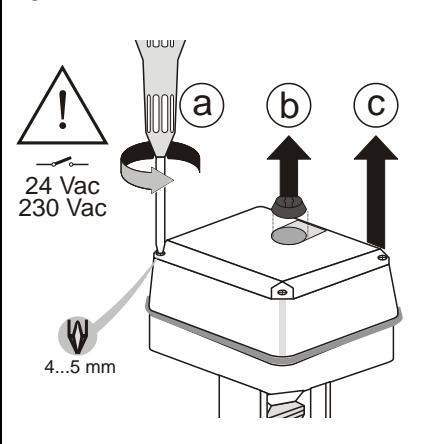
A1



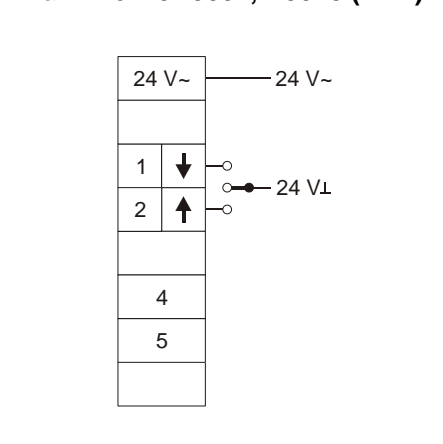
A2



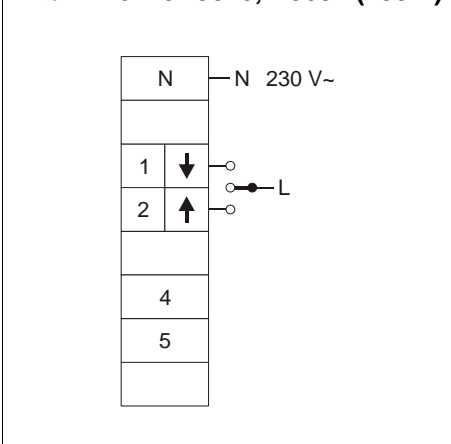
A3



A4a: ML6420A3007, A3023 (24 V)



A4b: ML6420A3015, A3031 (230 V)



<p>A4c: ML7420A6009, A6017 (0/2...10 V)</p>	<p>A5a: ML7420A6009, A6017 (0/2...10 V)</p>	<p>A5b: ML7420A6009, A6017 (0/2...10 V)</p>
<p>A5c: ML7420A6009, A6017 (0/2...10 V)</p>	<p>A6</p>	<p>B: Manual</p>
<p>C1-2: Dismounting</p> <p>dismounting D Ausbau F démontage I smontaggio NL demontage DK afmontere N demontere FIN purkaminen S nedmontera E desmontaje</p>	<p>C1</p>	<p>C2</p> <p>A3 → A4 → A2 → A1</p>

Manufactured for and on behalf of the Environmental & Energy Solutions Division of Honeywell Technologies Sàrl, Rolle, Z.A. La Pièce 16, Switzerland by its Authorized Representative:

Home and Building Technologies

Honeywell GmbH
Böblinger Strasse 17
71101 Schönaich
Germany

Phone: (49) 7031 637 01

Fax: (49) 7031 637 740

<http://ecc.emea.honeywell.com>

Subject to change without notice. Printed in Germany

MU1B-0234GE51 R0216E