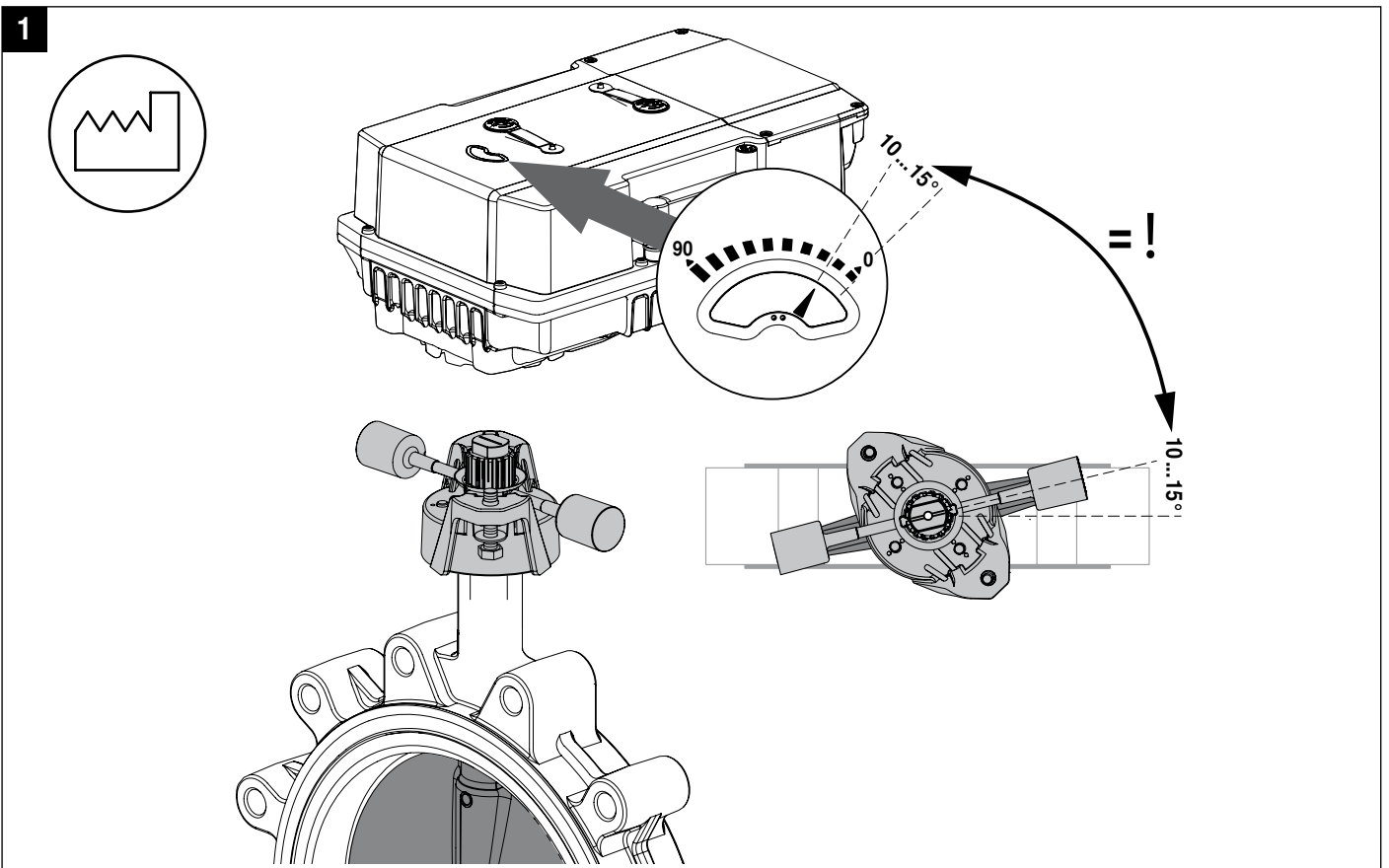
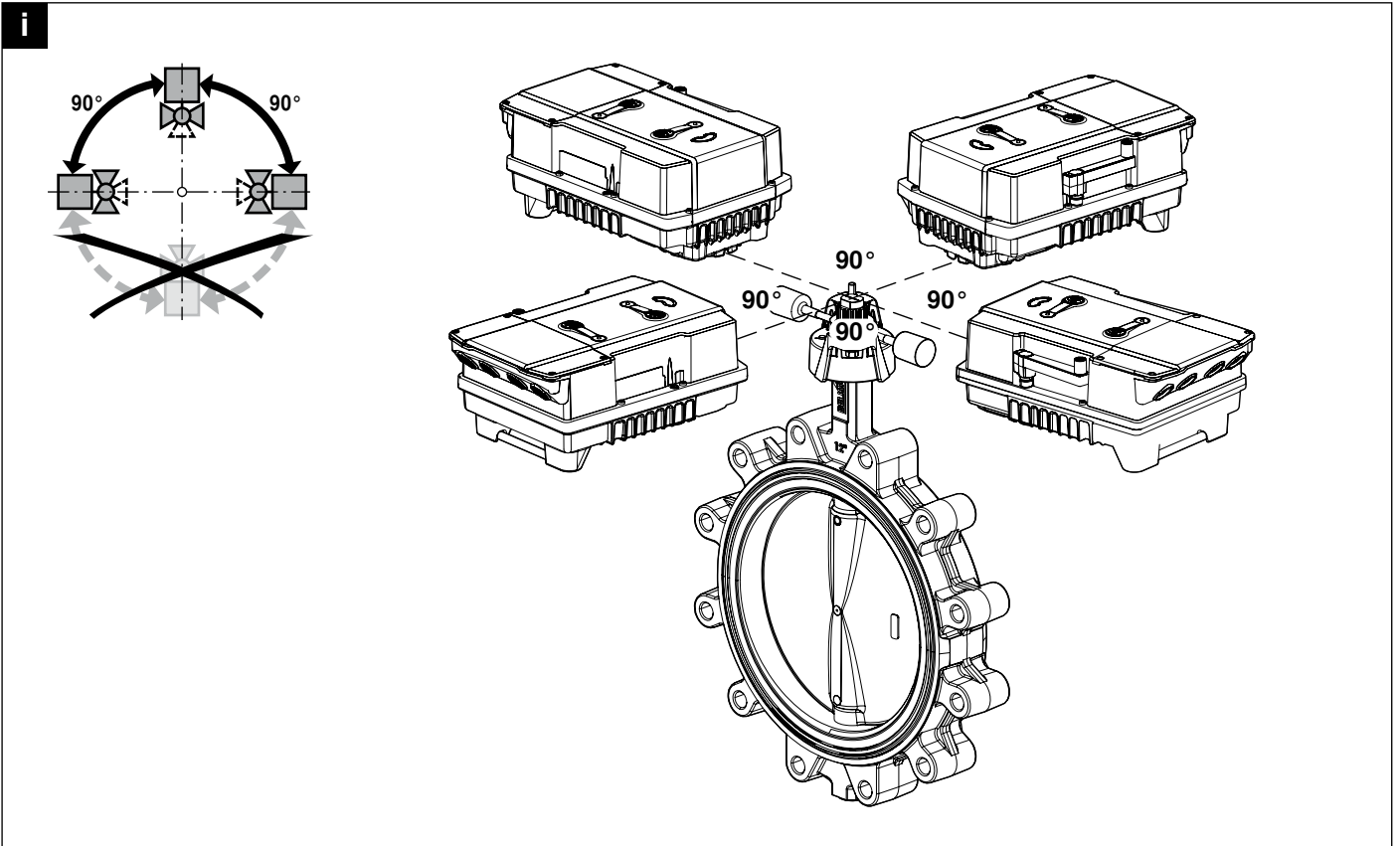


71854-00001..1

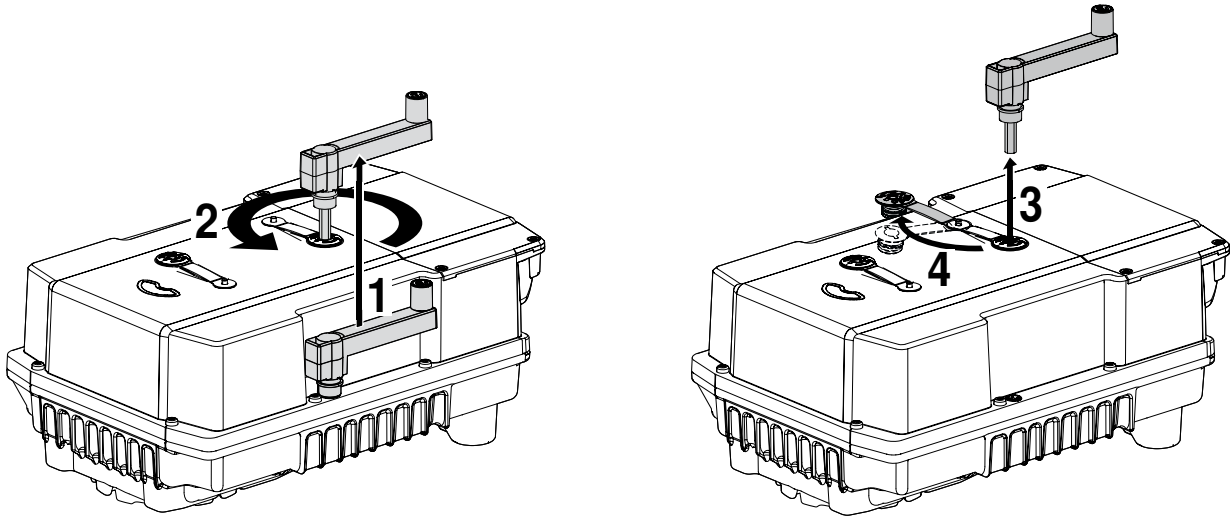


Video: IP66/67 with Belimo PR(K) actuator

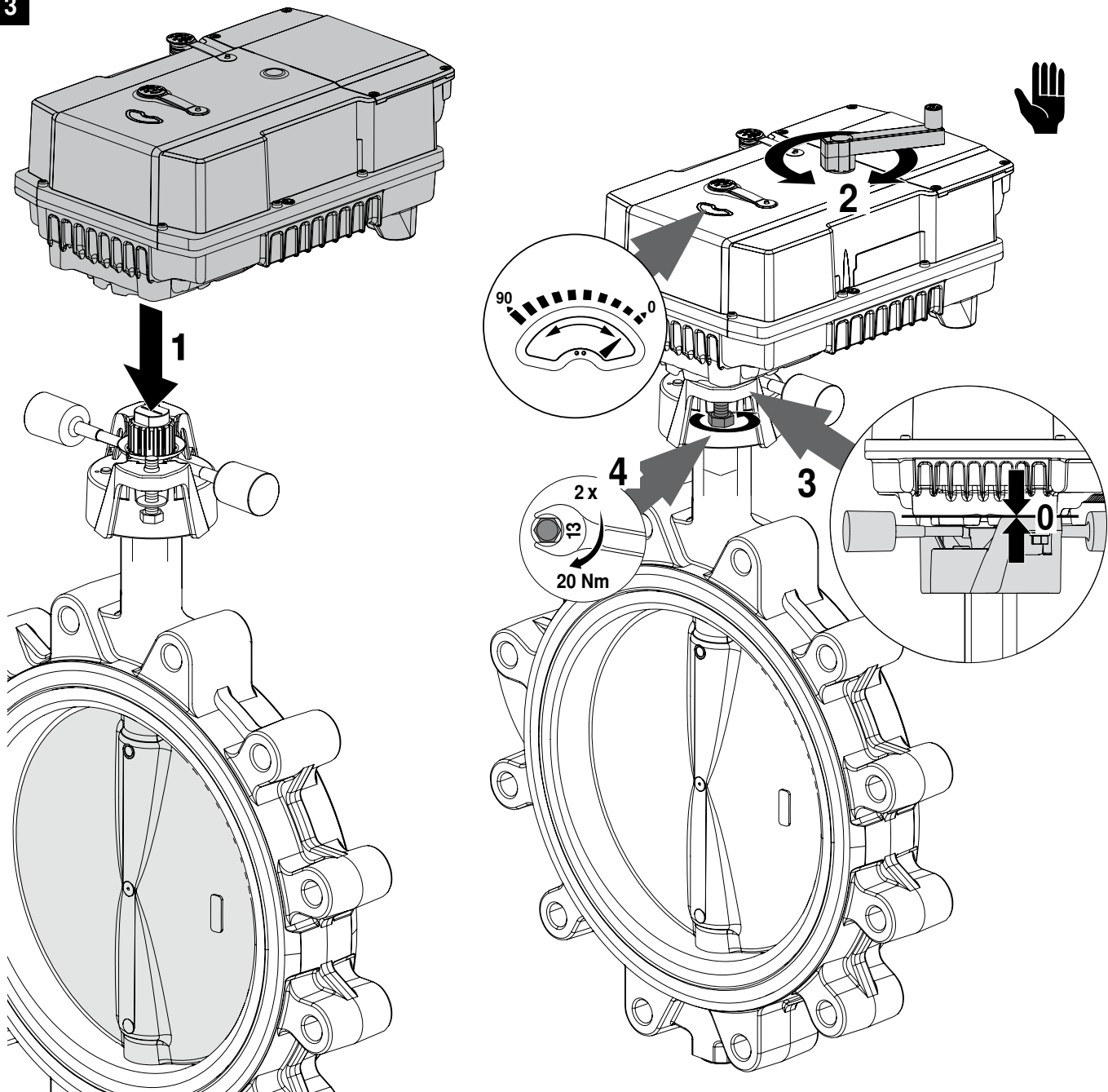
www.belimo.eu/safety

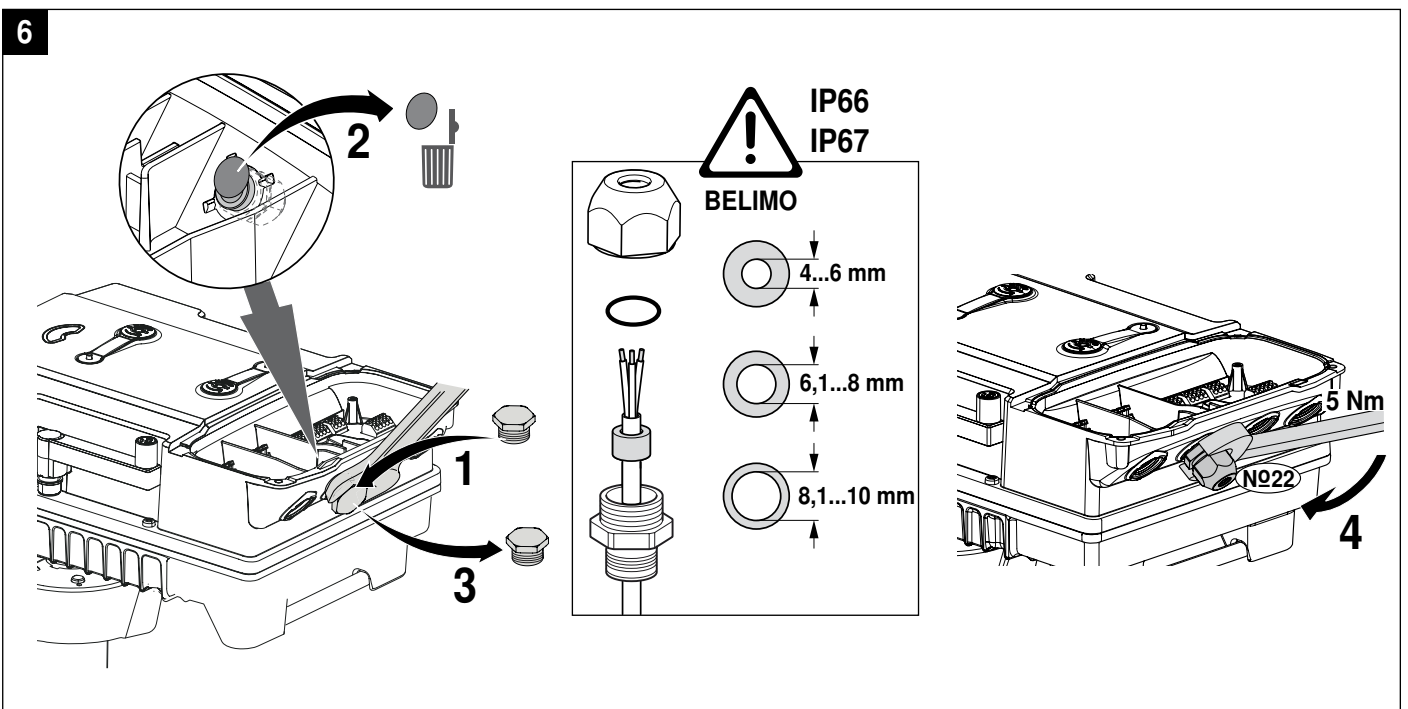
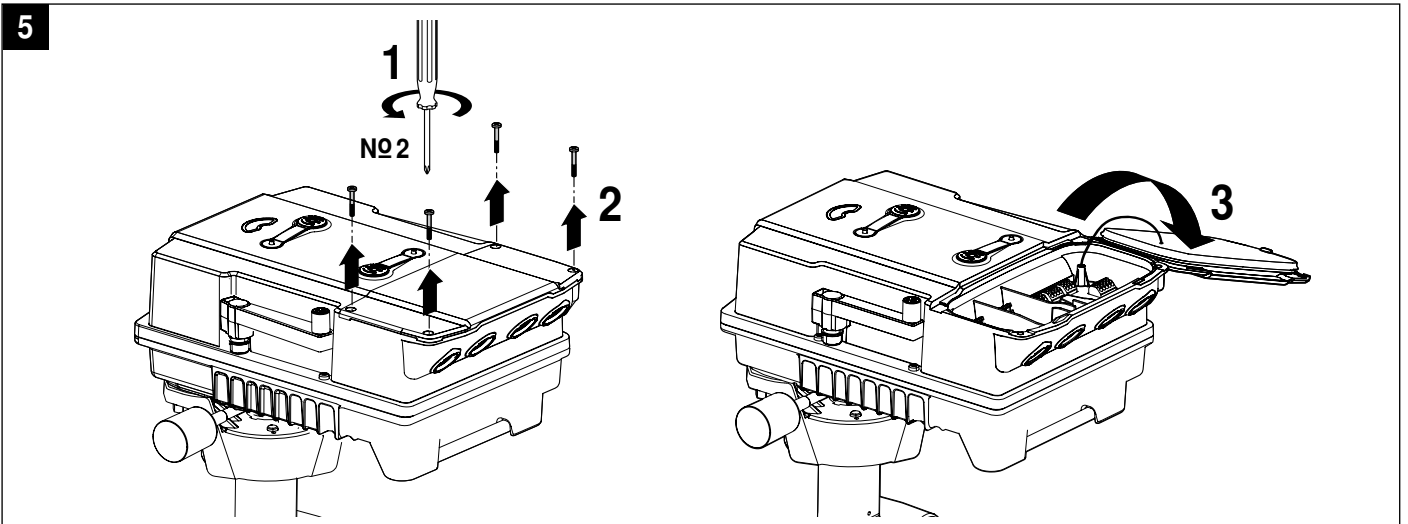
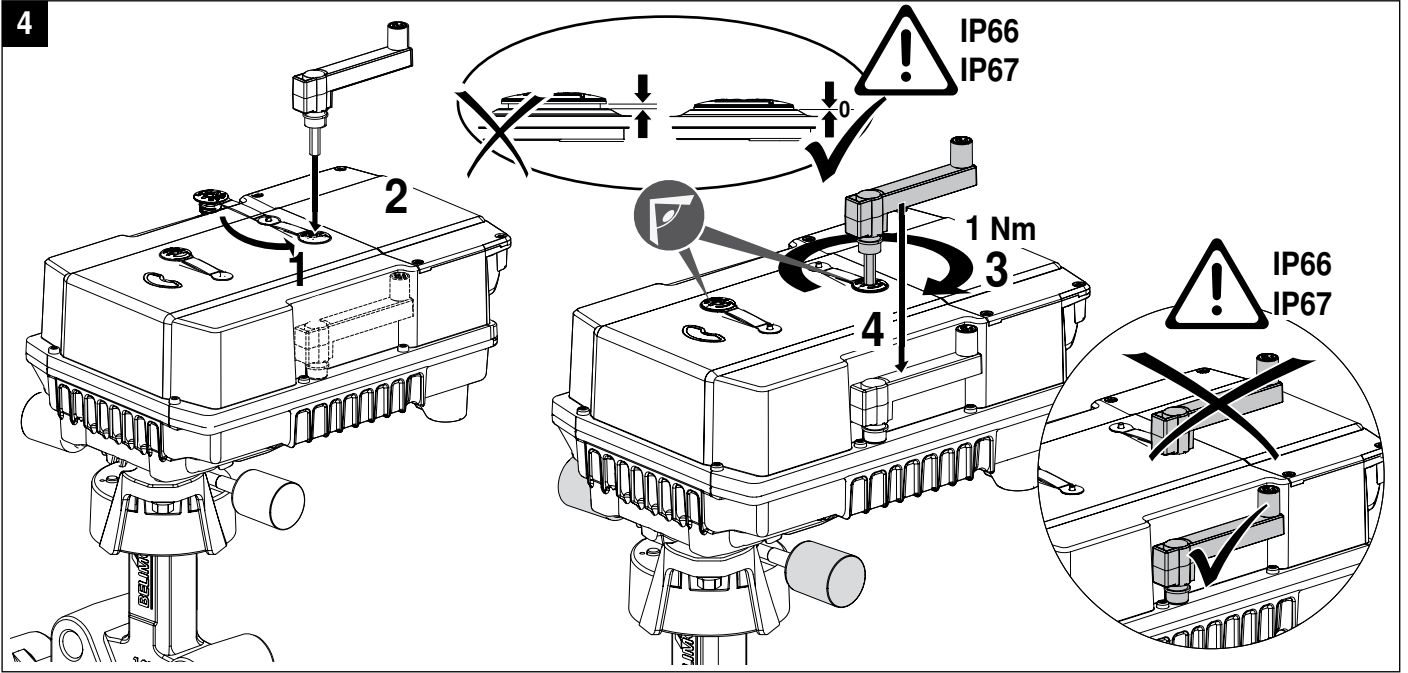


2

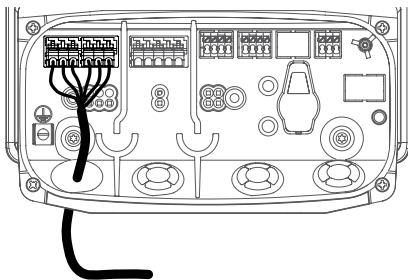
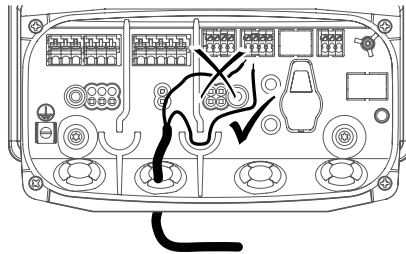
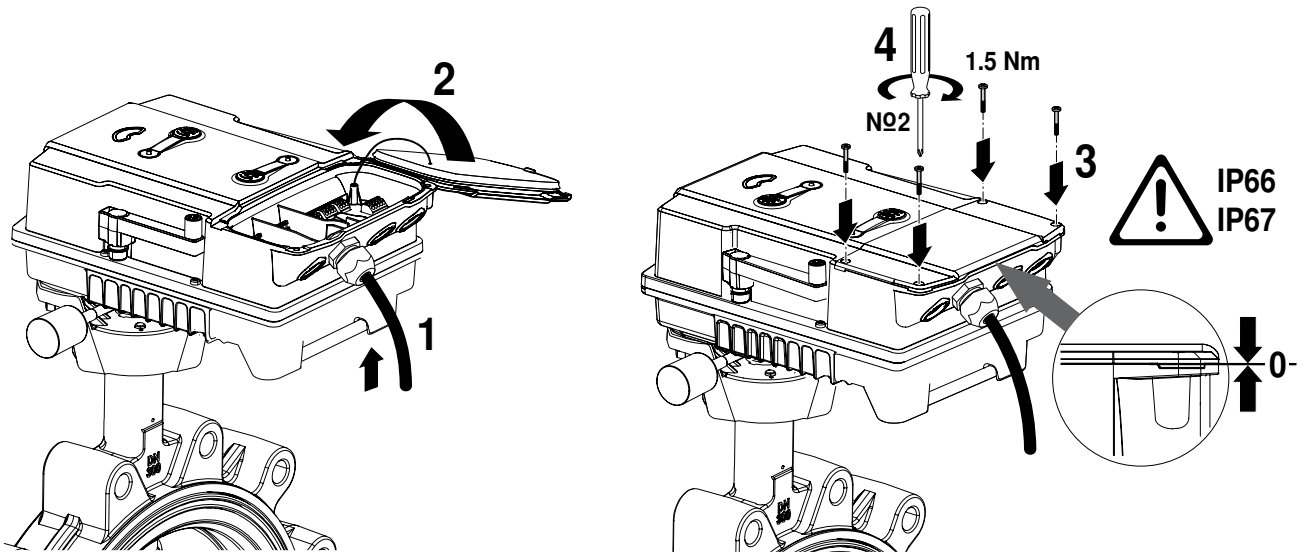


3

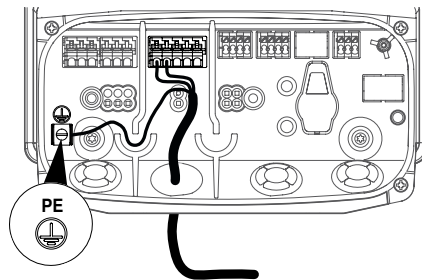




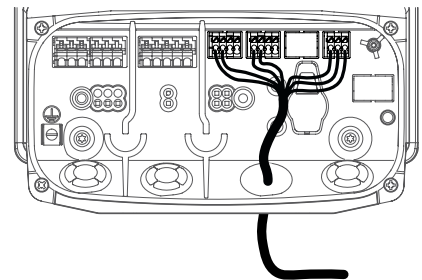
7



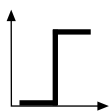
Aux.Sw.



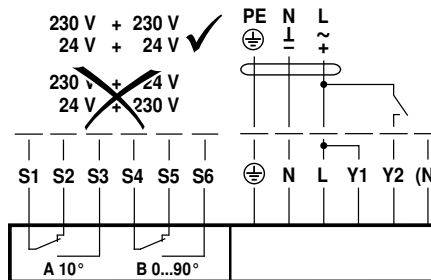
Power



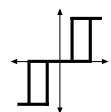
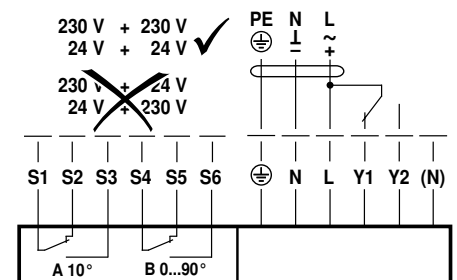
Sensor, Signal, BACnet



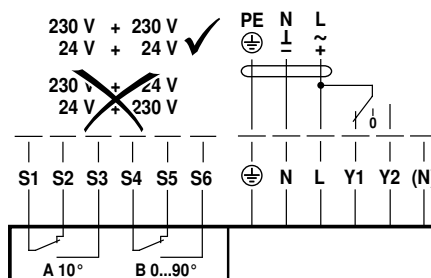
AC 24...240 V ⚠
DC 24...125 V ⚠



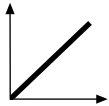
PRCA-S2-T
PR(K)CA-BAC-S2-T



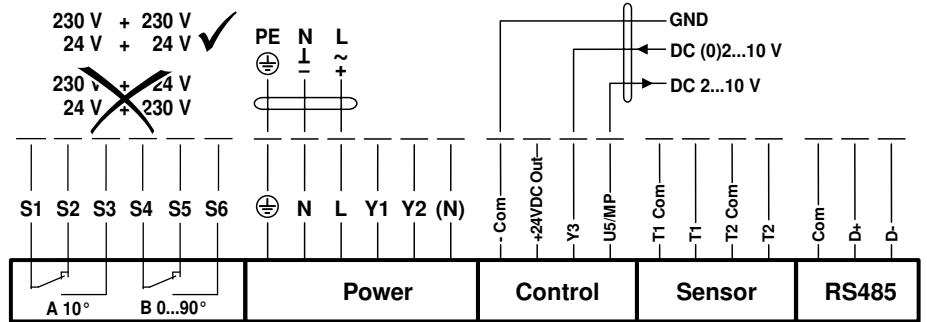
AC 24...240 V ⚠
DC 24...125 V ⚠



PRCA-S2-T
PR(K)CA-BAC-S2-T

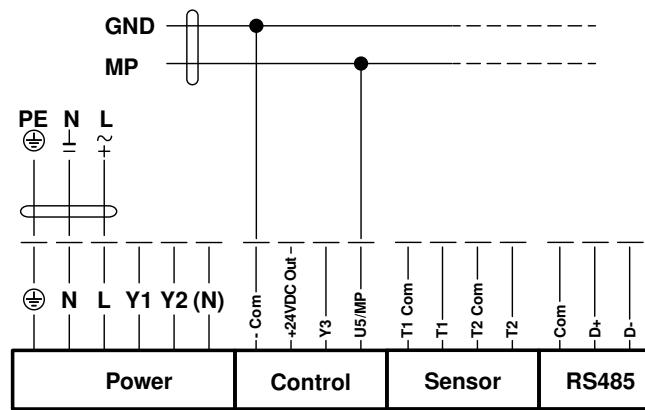


AC 24...240 V
DC 24...125 V

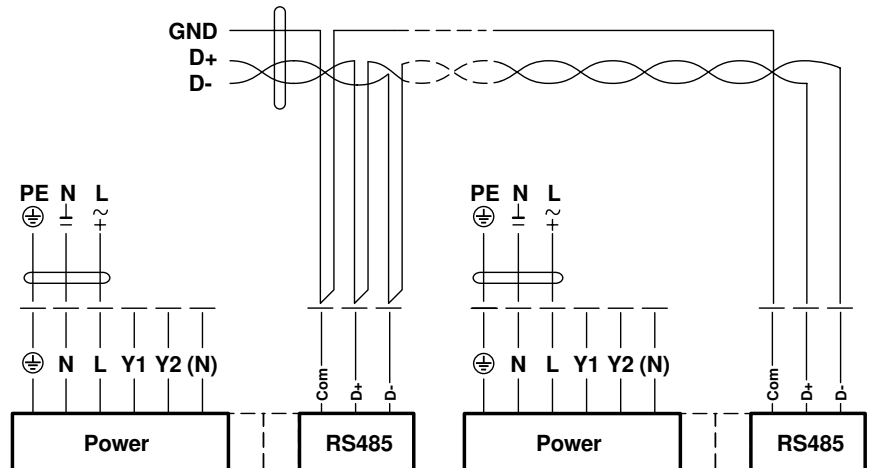


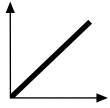
PR(K)CA-(BAC-)S2-T

MP-Bus

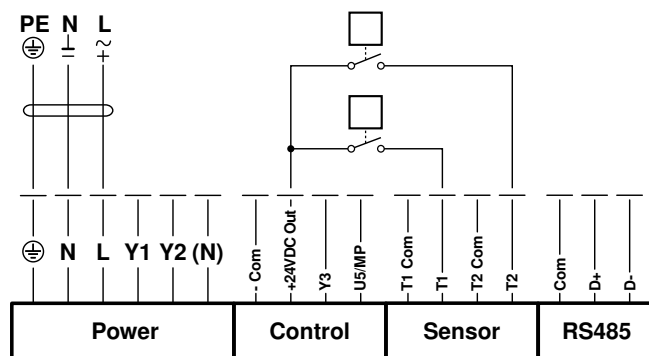
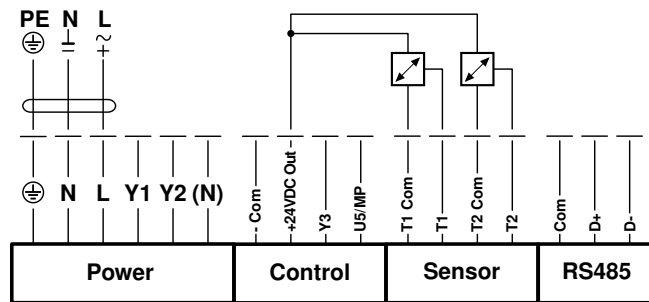
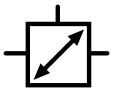
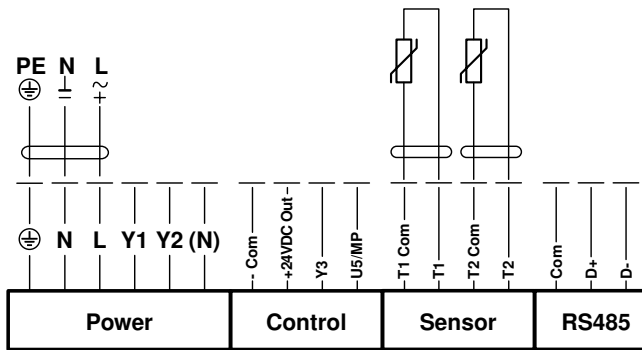
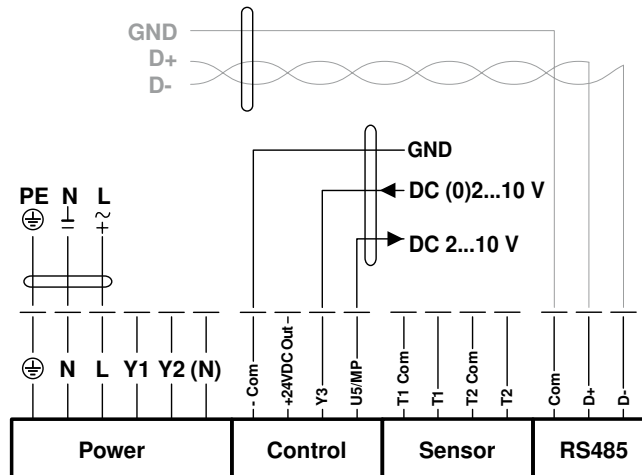


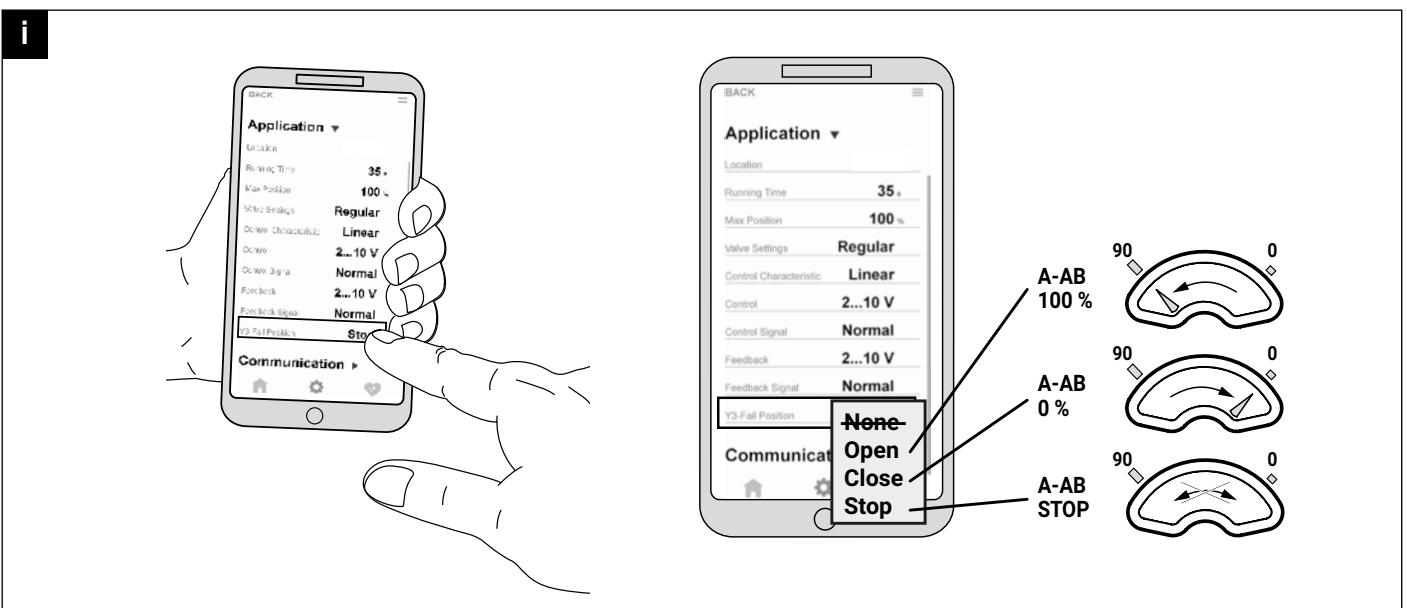
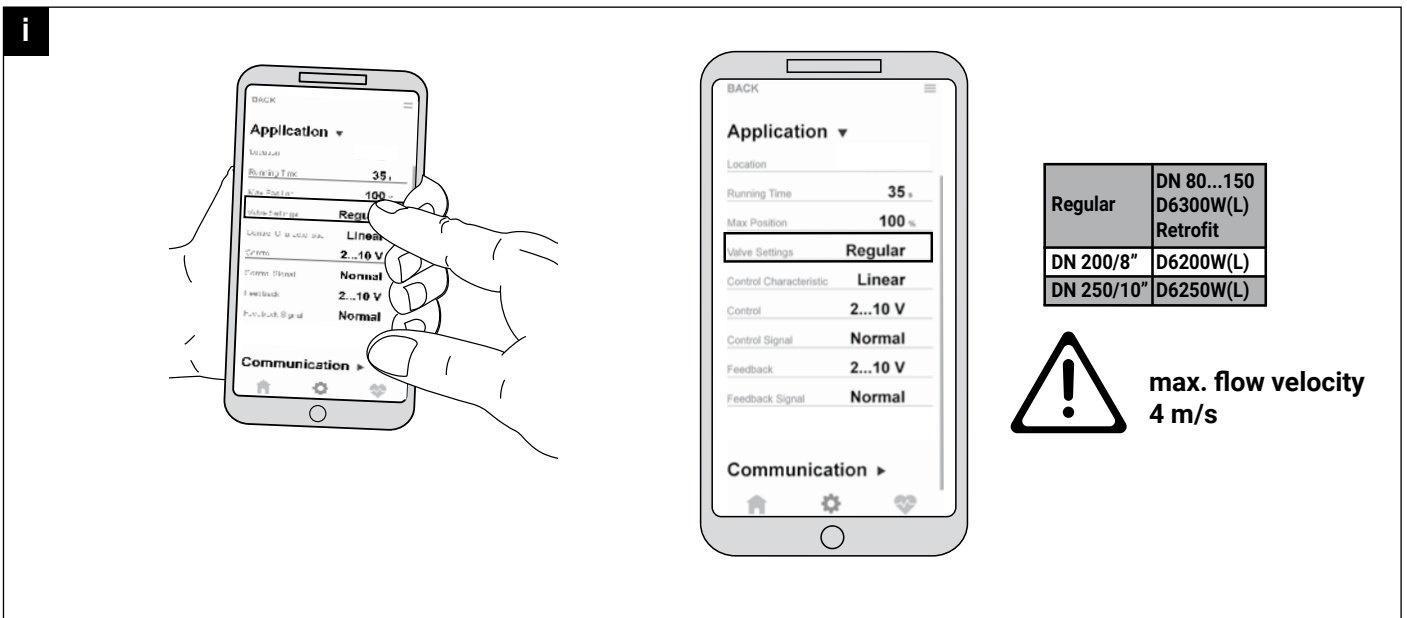
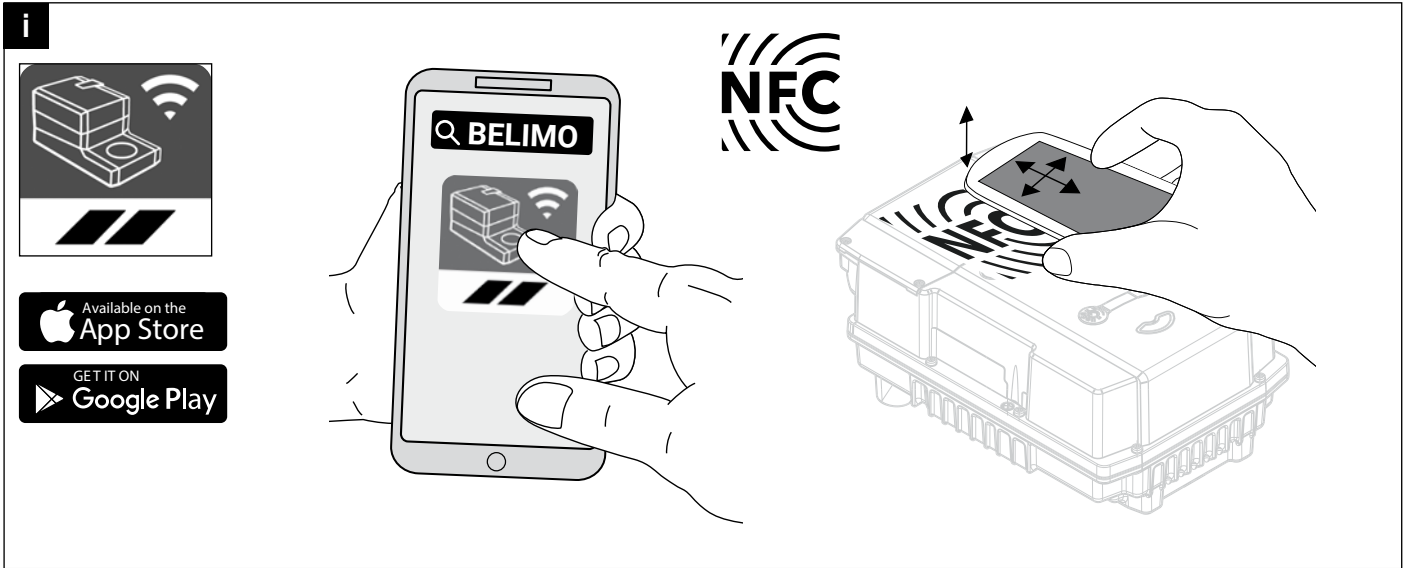
BACnet MS/TP / Modbus RTU



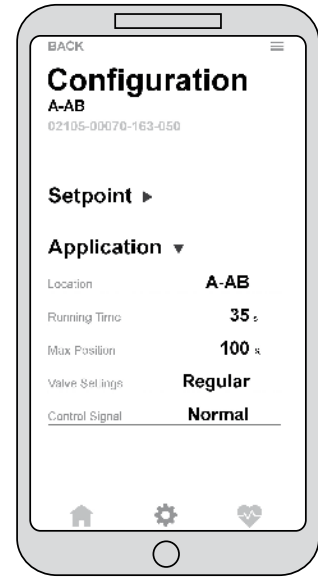
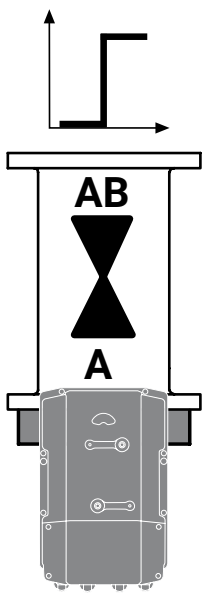


BACnet MS/TP / Modbus RTU / analog





PR(K)CA-S2-T..

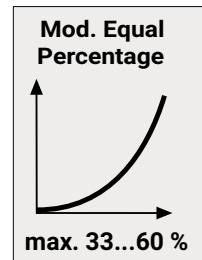
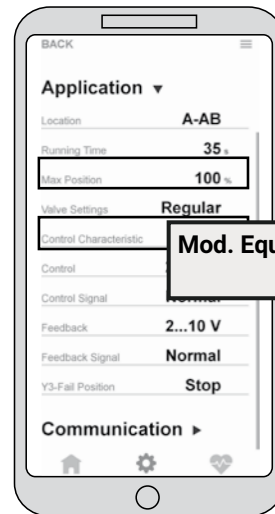
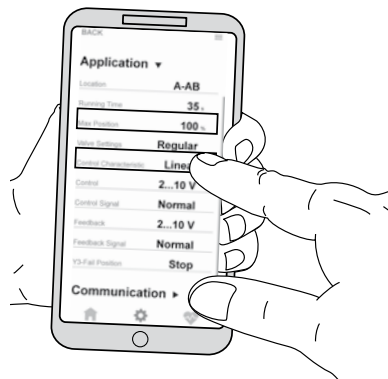
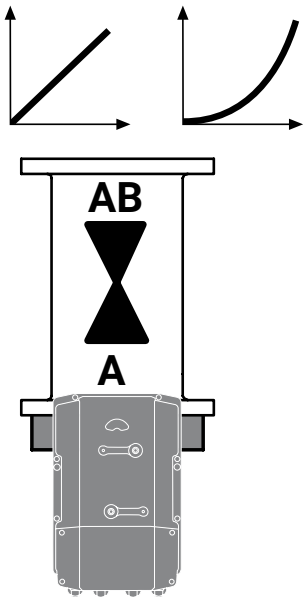


		10%	20%	30%	40%	50%	60%	70%	80%	90%	100%
DN 200	kv (m3/h)	10	60	170	330	540	820	1200	1640	2000	2200
DN 250	kv (m3/h)	10	100	280	530	850	1300	1920	2710	3580	4200
DN 300	kv (m3/h)	30	160	400	710	1130	1740	2560	3610	4790	5700

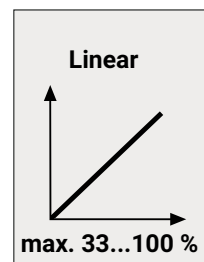


max. flow velocity
4 m/s

PR(K)CA-BAC-S2-T..



Mod. Equal Percentage
Linear

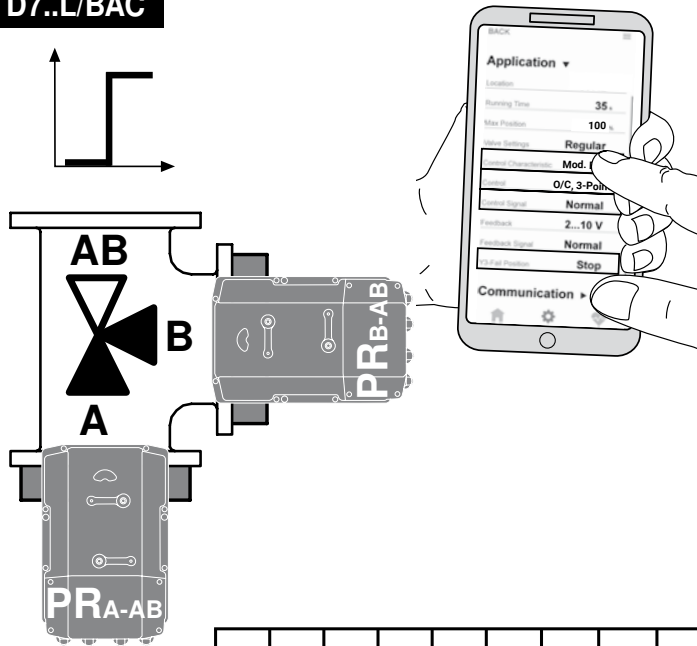


		10%	20%	30%	40%	50%	60%	70%	80%	90%	100%
DN 200	kv (m3/h)	10	60	170	330	540	820	1200	1640	2000	2200
DN 250	kv (m3/h)	10	100	280	530	850	1300	1920	2710	3580	4200
DN 300	kv (m3/h)	30	160	400	710	1130	1740	2560	3610	4790	5700

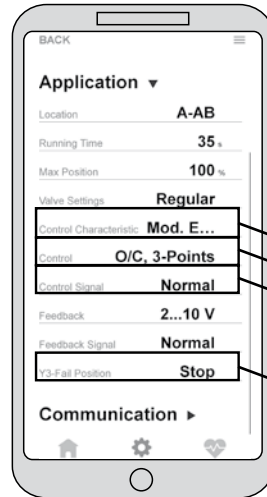


max. flow velocity
4 m/s

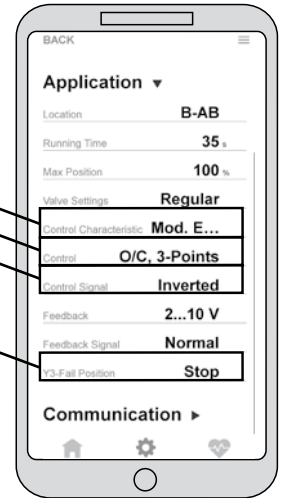
D7..L/BAC



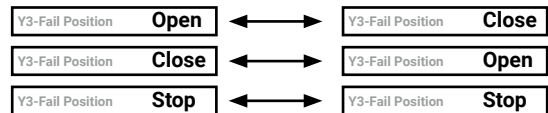
PR A-AB



PR B-AB

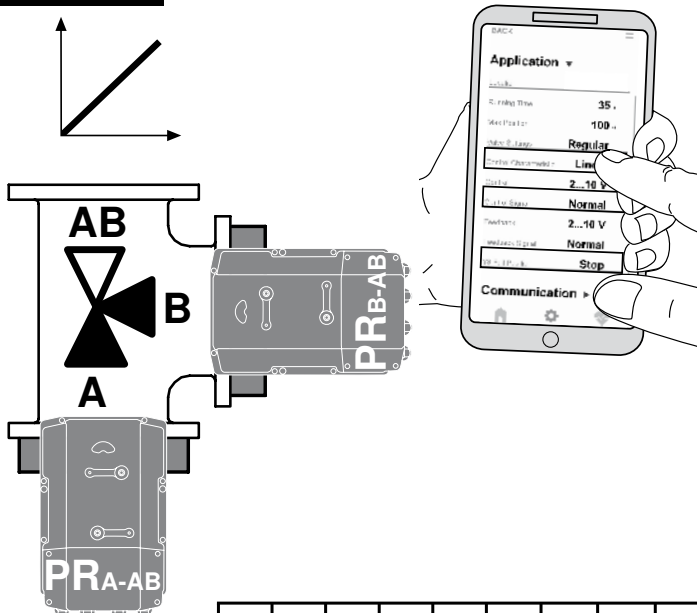


		10%	20%	30%	40%	50%	60%	70%	80%	90%	100%
DN 150	kv (m3/h)	1	30	70	140	240	400	580	800	1010	1100
DN 200	kv (m3/h)	10	60	170	330	530	830	1120	1450	1600	1800
DN 250	kv (m3/h)	10	100	280	520	830	1200	1760	2340	2880	3000
DN 300	kv (m3/h)	30	150	400	700	1100	1700	2400	3300	4200	4700

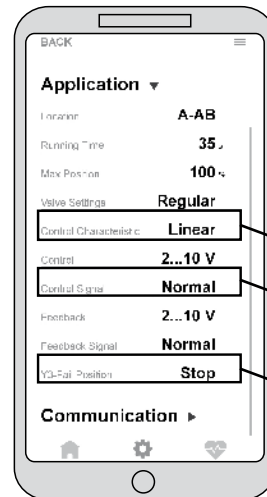


max. flow velocity
4 m/s

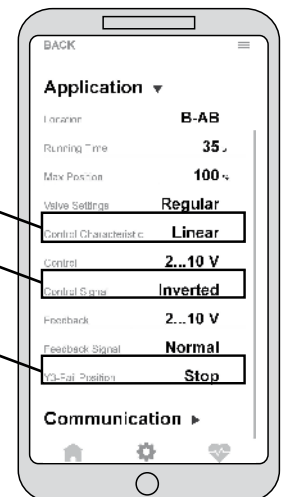
D7..L/BAC



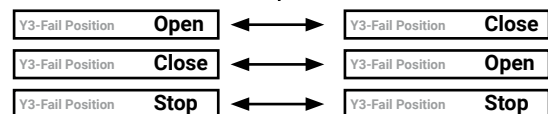
PR A-AB



PR B-AB



		10%	20%	30%	40%	50%	60%	70%	80%	90%	100%
DN 150	kv (m3/h)	1	30	70	140	240	400	580	800	1010	1100
DN 200	kv (m3/h)	10	60	170	330	530	830	1120	1450	1600	1800
DN 250	kv (m3/h)	10	100	280	520	830	1200	1760	2340	2880	3000
DN 300	kv (m3/h)	30	150	400	700	1100	1700	2400	3300	4200	4700



max. flow velocity
4 m/s