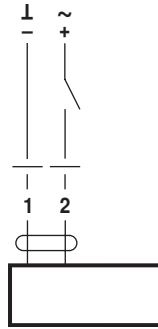
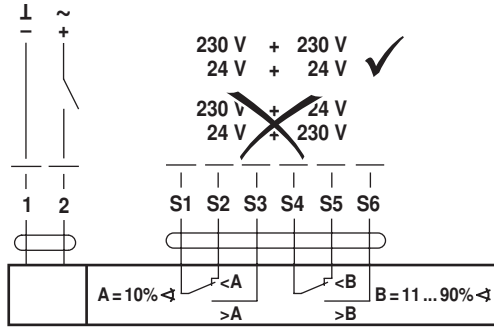


AC 24 V / DC 24 V

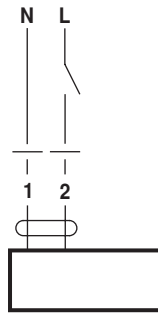


..RF24A(-O)

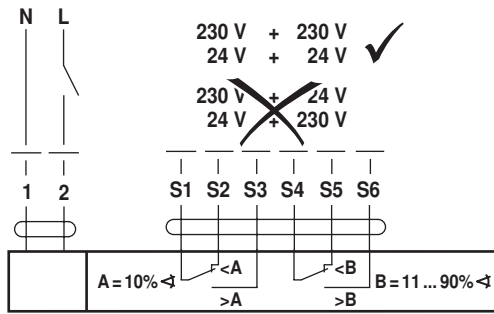


..RF24A-S2(-O)

AC 230 V ⚠

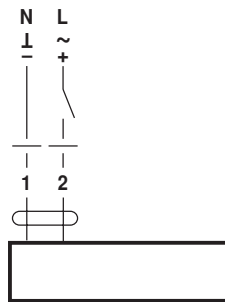


..RF230A(-O)

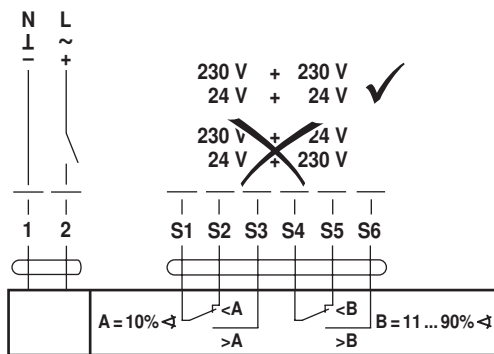


..RF230A-S2(-O)

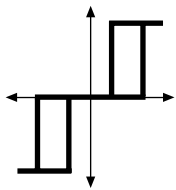
AC 24...240 V / DC 24...125 V ⚠



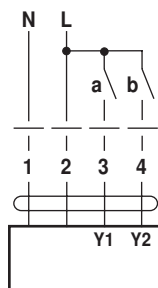
..RFA(-O)



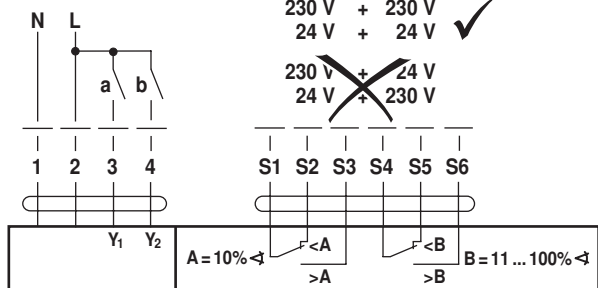
..RFA-S2(-O)



AC 230 V ⚠

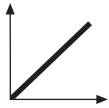


NRF(D)230A-3(-O)  
SRF230A-3(-O)

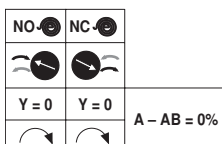
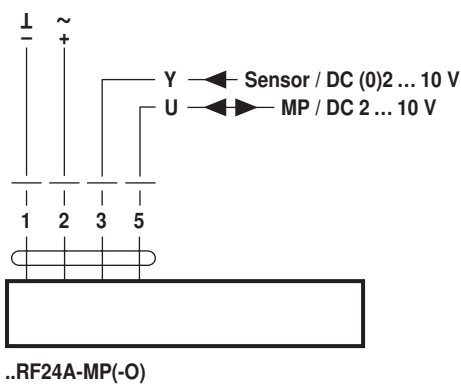
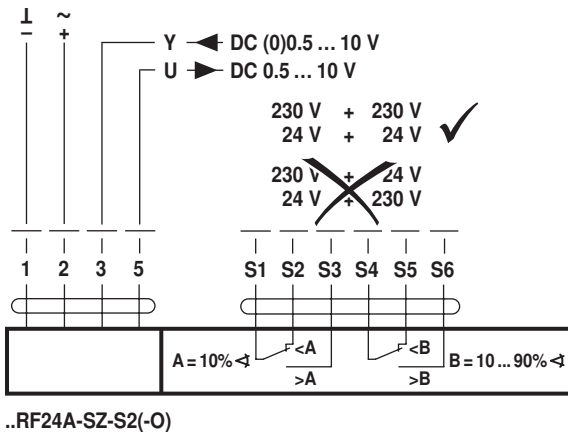
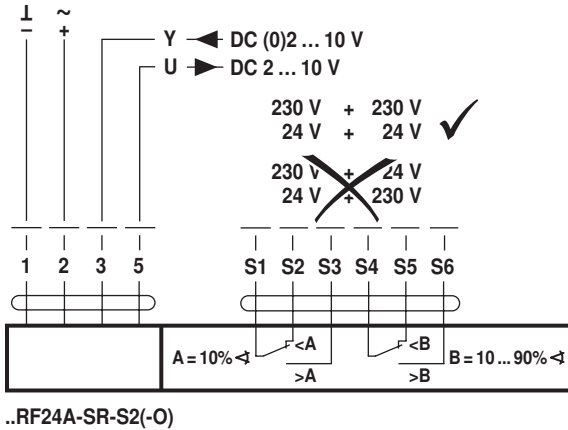
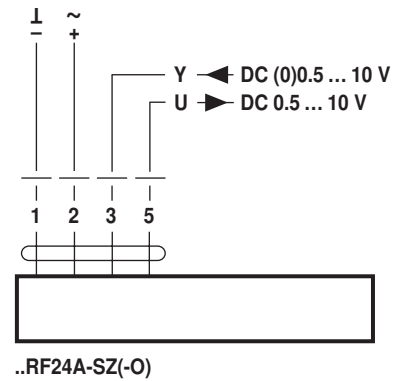
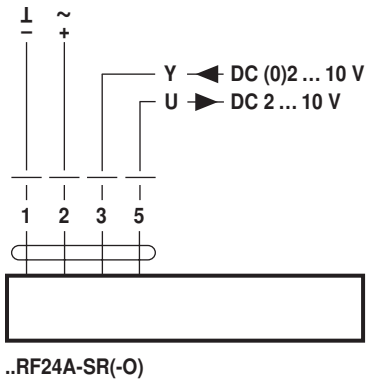


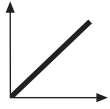
NRF(D)230A-3-S2(-O)  
SRF230A-3-S2(-O)

		NO-	NC-	
a (Y1)	b (Y2)			
				A - AB = 100%
		stop	stop	
				A - AB = 0%



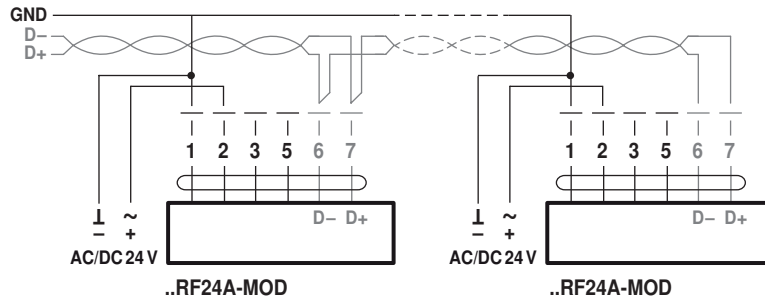
AC 24 V / DC 24 V



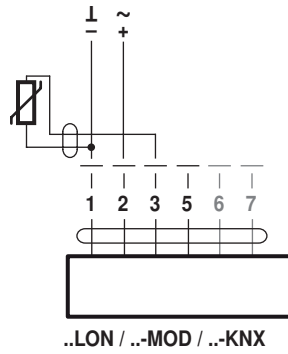
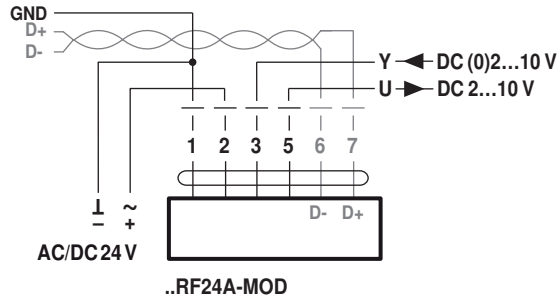


AC 24 V / DC 24 V

BACnet MS/TP / Modbus RTU



BACnet MS/TP / Modbus RTU / analog



Ni1000	-28...+98°C	850...1600 Ω <sup>2</sup>
PT1000	-35...+155°C	850...1600 Ω <sup>2</sup>
NTC	-10...+160°C <sup>1)</sup>	200 Ω...60 kΩ <sup>2)</sup>

