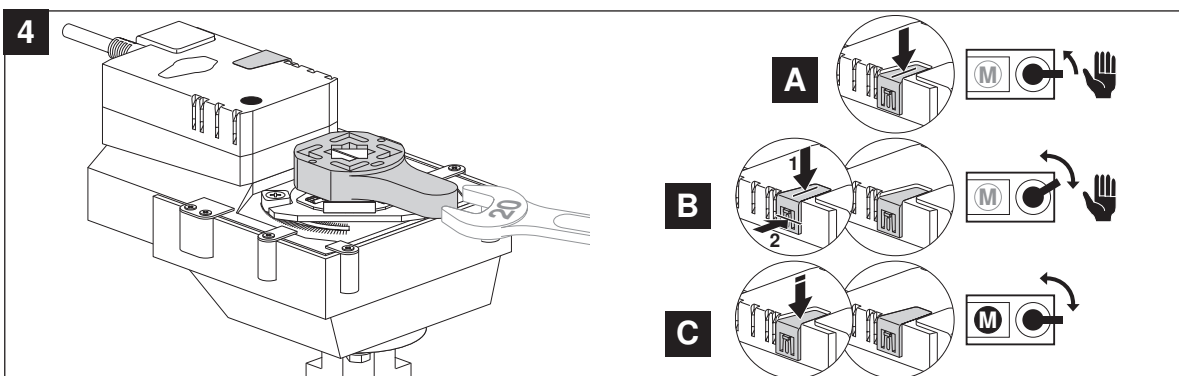
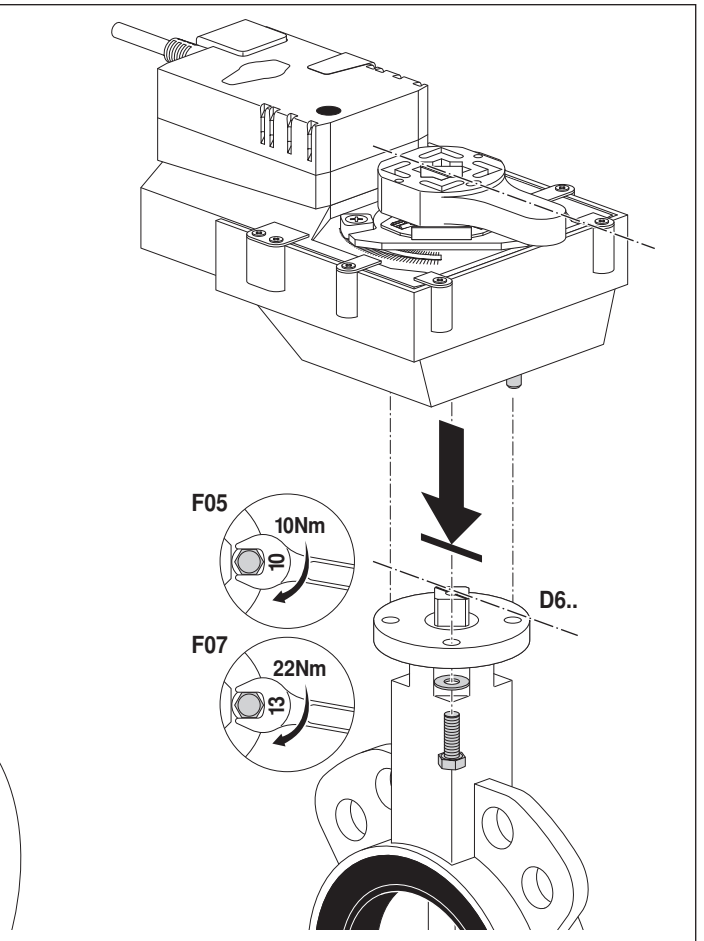
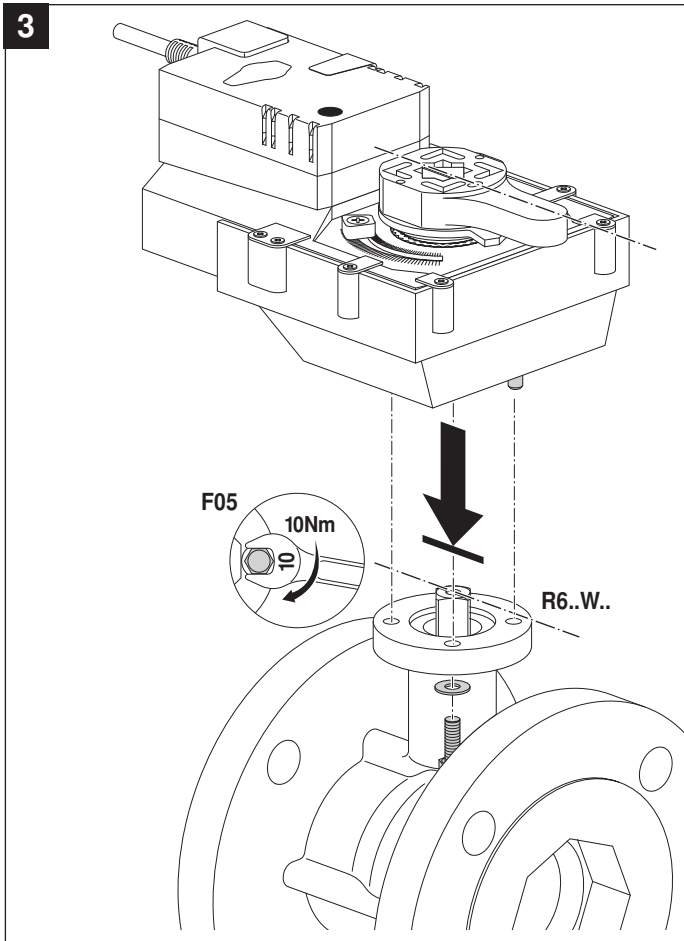
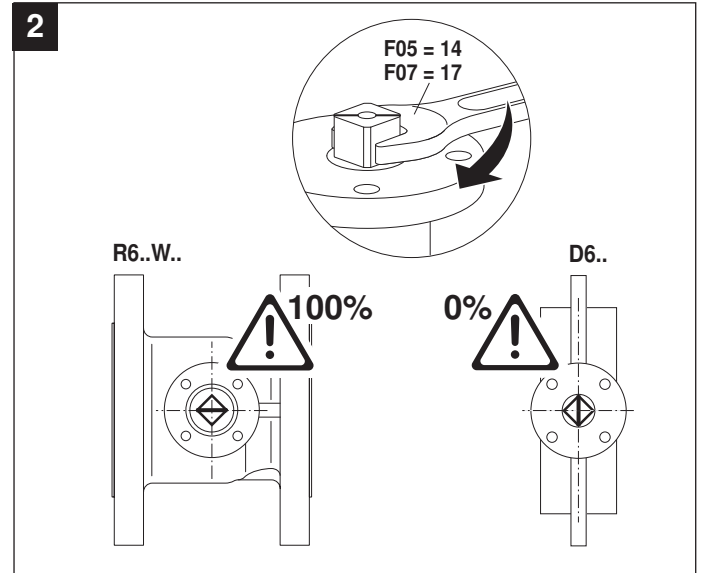
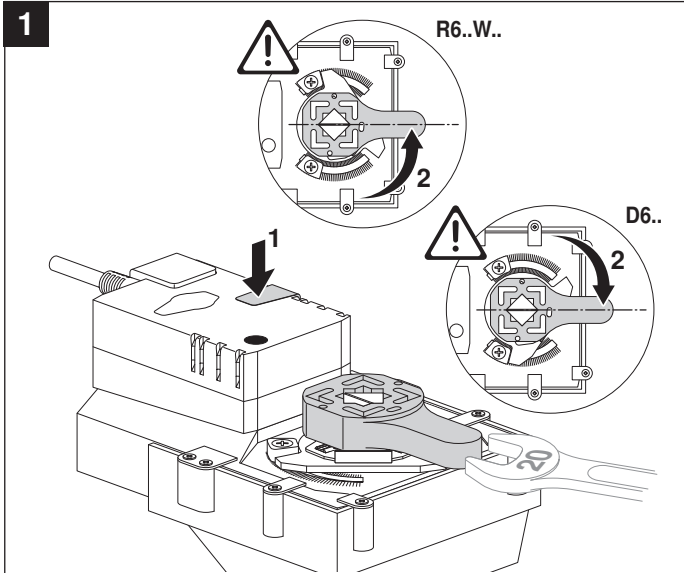
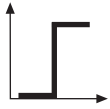


70616-00001_J

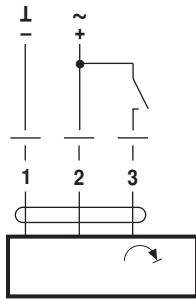


www.belimo.com/safety



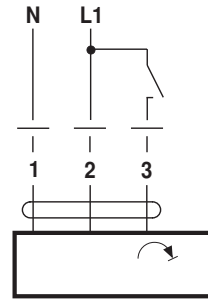


AC 24 V / DC 24 V

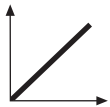


GR(C)24A-5
GR24A-7

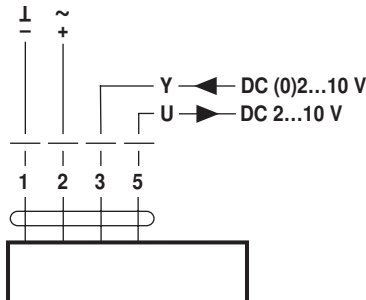
AC 230 V ⚠



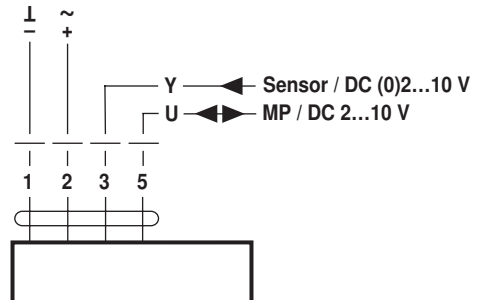
GR(C)230A-5
GR230A-7



AC 24 V / DC 24 V

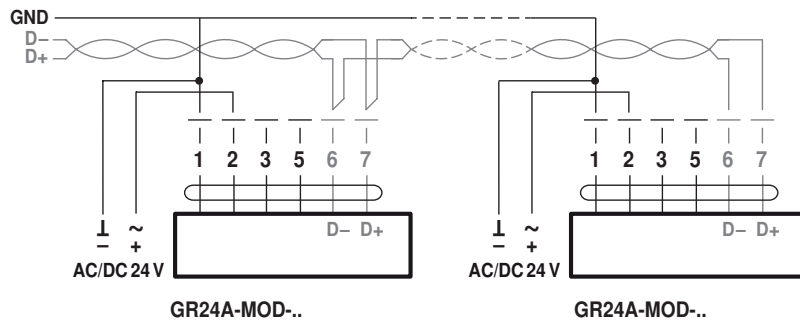


GR24A-SR.. / GR24A-MF..

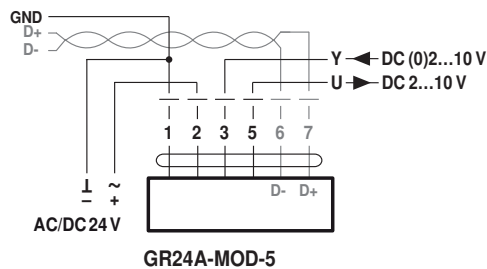


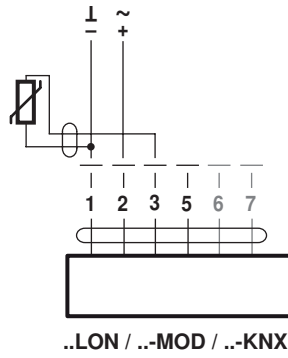
GR24A-MP..

BACnet MS/TP / Modbus RTU



BACnet MS/TP / Modbus RTU / analog





Ni1000	-28...+98°C	850...1600 Ω ²⁾
PT1000	-35...+155°C	850...1600 Ω ²⁾
NTC	-10...+160°C ¹⁾	200 Ω...60 kΩ ²⁾

