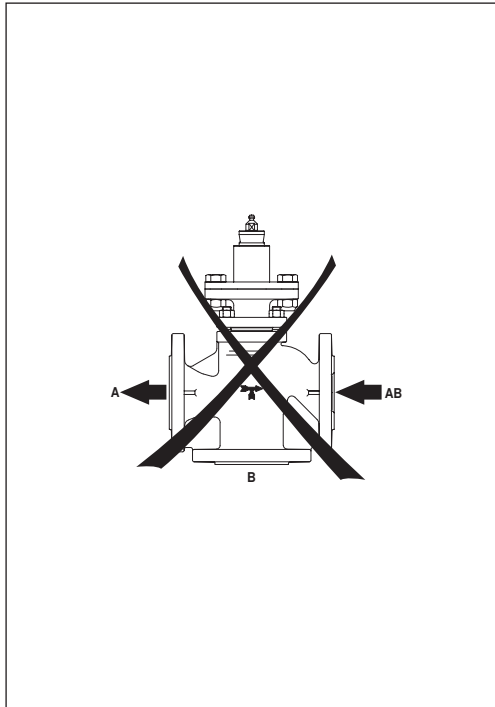
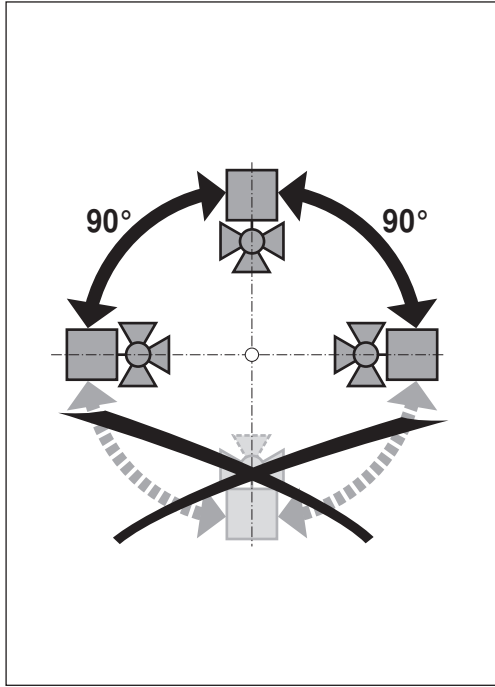


BELIMO

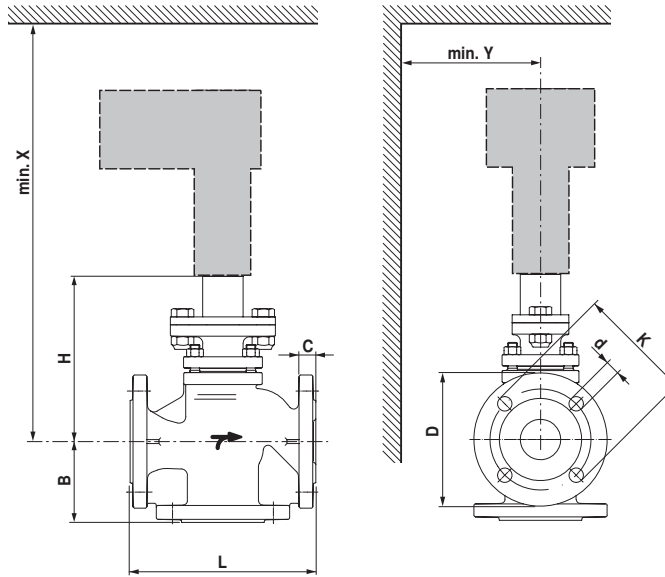
BELIMO Automation Ltd
Brunnenbachstrasse 1
8340 Hinwil
SWITZERLAND

H7..X..
H7..Y..



71559-00001.B





H7..X.. / H7..Y..

ps <2500 kPa (PN25) t= +5... +120°C ps <2300 kPa (PN25) t= +121... +200°C		H7..X..-S.	NV..A.. 1000N		SV..A.. 1500N		AVK..A.. 2000N		EV..A 2500N		RV..A 4500N										
DN	Hub / Stroke [mm]		B [mm]	Δps [kPa]	Δpmax [kPa]	Δps [kPa]	Δpmax [kPa]	Δps [kPa]	Δpmax [kPa]	Δps [kPa]	Δpmax [kPa]	Δps [kPa]	Δpmax [kPa]	L [mm]	H [mm]	D [mm]	K [mm]	d [mm]	C [mm]	X [mm]	Y [mm]
15	20	H7015X4-S2	65	2200	1000	2500	1000							130	172	95	65	4 x 14	16	400	100
20	20	H7020X6P3-S2	70	1500	1000	2500	1000							150	172	105	75	4 x 14	18	400	100
25	20	H7025X10-S2	75	1300	1000	2100	1000							160	176	115	85	4 x 14	18	410	100
32	20	H7032X16-S2	95	900	900	1500	1000							180	202	140	100	4 x 18	18	430	100
40	20	H7040X25-S2	100	500	500	850	850							200	207	150	110	4 x 18	18	440	100
50	20	H7050X40-S2	100	300	300	500	500							230	205	165	125	4 x 18	20	440	100
65	30	H7065X63-S4	120					400	400	550	550	1100	1000	290	230	185	145	8 x 18	22	560	150
80	30	H7080X100-S4	130					250	250	350	350	700	700	310	246	200	160	8 x 18	24	580	150
100	30	H7100X160-S4	150					150	150	200	200	450	450	350	265	235	190	8 x 22	24	600	150
ps <4000 kPa (PN40) t= +5... +120°C ps <3200 kPa (PN40) t= +121... +200°C		H7..Y..-S.	NV..A.. 1000N		SV..A.. 1500N		AVK..A.. 2000N		EV..A 2500N		RV..A 4500N										
DN	Hub / Stroke [mm]		B [mm]	Δps [kPa]	Δpmax [kPa]	Δps [kPa]	Δpmax [kPa]	Δps [kPa]	Δpmax [kPa]	Δps [kPa]	Δpmax [kPa]	Δps [kPa]	Δpmax [kPa]	L [mm]	H [mm]	D [mm]	K [mm]	d [mm]	C [mm]	X [mm]	Y [mm]
15	20	H7015Y4-S2	65	2200	1000	3500	1000							130	172	95	65	4 x 14	16	400	100
20	20	H7020Y6P3-S2	70	1500	1000	2500	1000							150	172	105	75	4 x 14	18	400	100
25	20	H7025Y10-S2	75	1300	1000	2100	1000							160	176	115	85	4 x 14	18	410	100
32	20	H7032Y16-S2	80	900	900	1500	1000							180	202	140	100	4 x 18	18	430	100
40	20	H7040Y25-S2	90	500	500	850	850							200	207	150	110	4 x 18	18	440	100
50	20	H7050Y40-S2	100	300	300	500	500							230	205	165	125	4 x 18	20	440	100
65	30	H7065Y63-S4	120					400	400	550	550	1100	1000	290	230	185	145	8 x 18	22	560	150
80	30	H7080Y100-S4	130					250	250	350	350	700	700	310	246	200	160	8 x 18	24	580	150
100	30	H7100Y160-S4	150					150	150	200	200	450	450	350	265	235	190	8 x 22	24	600	150