

**BELIMO**  
 BELIMO Automation Ltd  
 Brunnenbachstrasse 1  
 8340 Hinwil  
 SWITZERLAND

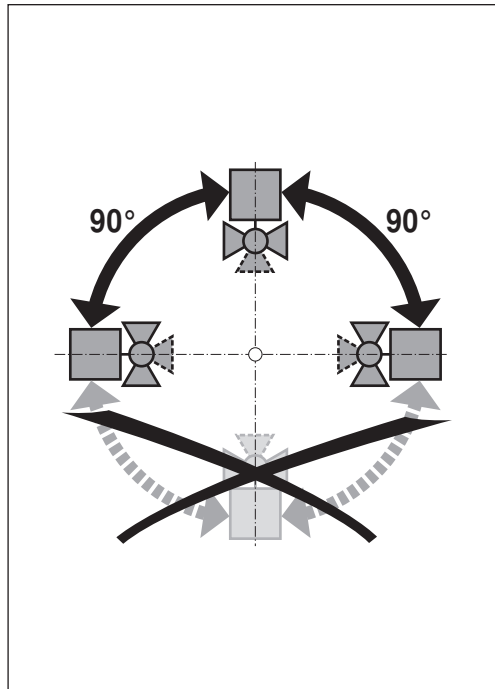
H2..S-..



H3..S-..

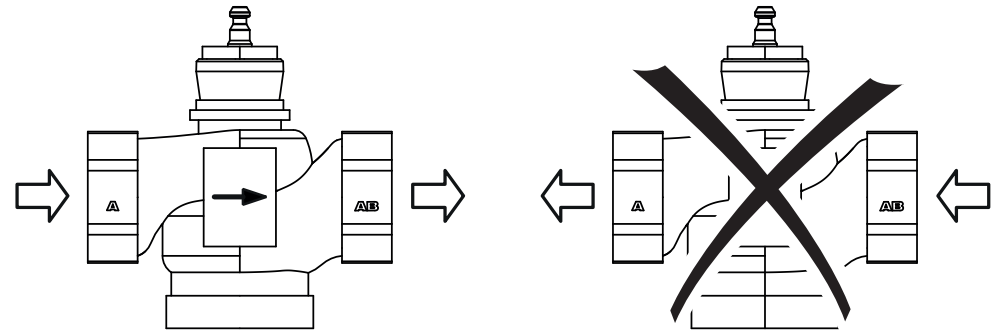


70718-00001.D

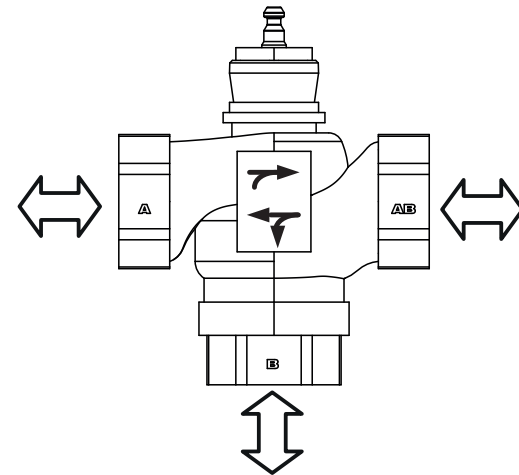


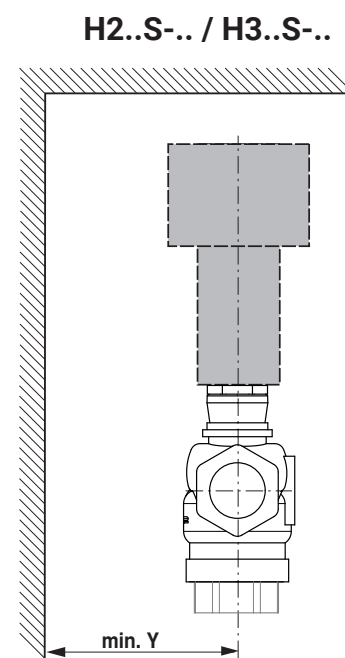
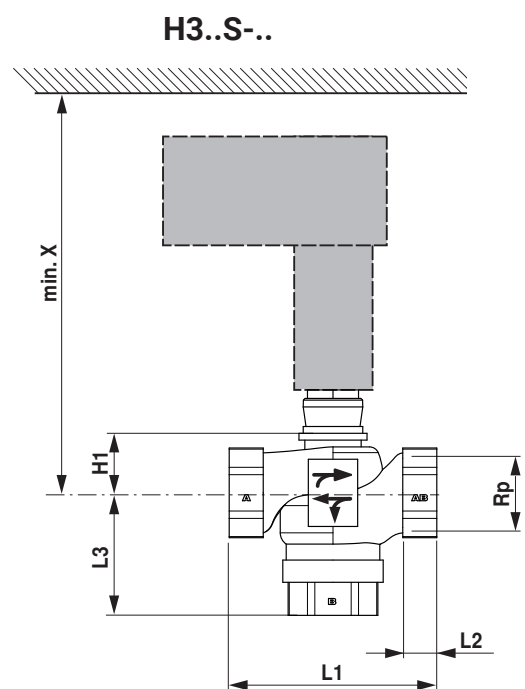
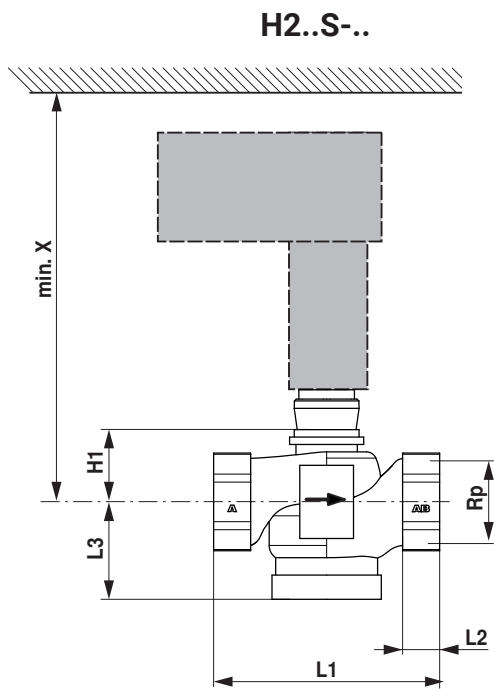
[www.belimo.com/safety](http://www.belimo.com/safety)

H2..S-..



H3..S-..





**H2..S-.. / H3..S-..**

ps <2500 kPa (PN25) t= 0... +130°C		H2..S-..		H3..S-..		LV..A.. 500 N		NV..A.. 1000 N		SV..A.. 1500 N							
DN	Hub/Stroke [mm]	A → AB	L3 [mm]	A → AB B	L3 [mm]	Δps [kPa]	Δpmax [kPa]	Δps [kPa]	Δpmax [kPa]	Δps [kPa]	Δpmax [kPa]	L1 [mm]	L2 [mm]	H1 [mm]	Rp [ " ]	X [mm]	Y [mm]
15	10	H215S-G	39	H315S-G	56	650	650	800	800			81	15	29	1/2	296	100
15	10	H215S-J	39	H315S-J	56	650	650	800	800			81	15	29	1/2	296	100
20	10	H220S-K	39	H320S-K	56	650	650	800	800			86	15	28	3/4	299	100
25	15	H225S-L	43	H325S-L	64	380	380	600	600			115	17	34.5	1	303	100
32	20	H232S-M	52.5	H332S-M	76.5			550	550			122	19	35	1 1/4	306	100
40	20	H240S-N	60	H340S-N	83.5			450	450	700	700	140	23	43	1 1/2	311	100
50	20	H250S-P	68	H350S-P	95			300	300	500	500	158	25	56.5	2	318	100

ps <2500 kPa (PN25) t= 0... +130°C		H3..S-..		LV..A.. 500 N		NV..A.. 1000 N		SV..A.. 1500 N								
DN	Hub/Stroke [mm]	A ← AB B	L3 [mm]	Δps [kPa]	Δpmax [kPa]	Δps [kPa]	Δpmax [kPa]	Δps [kPa]	Δpmax [kPa]	L1 [mm]	L2 [mm]	H1 [mm]	Rp [ " ]	X [mm]	Y [mm]	
15	10	H315S-G	56	325	325	400	400			81	15	29	1/2	296	100	
15	10	H315S-J	56	325	325	400	400			81	15	29	1/2	296	100	
20	10	H320S-K	56	325	325	400	400			86	15	28	3/4	299	100	
25	15	H325S-L	64	300	300	300	300			115	17	34.5	1	303	100	
32	20	H332S-M	76.5			270	270			122	19	35	1 1/4	306	100	
40	20	H340S-N	83.5			220	220	350	350	140	23	43	1 1/2	311	100	
50	20	H350S-P	95			150	150	250	250	158	25	56.5	2	318	100	