

OpenAir™

## Accessories and Spare Parts for Air Damper Actuators

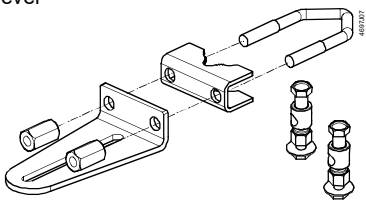
## ASC... ASK...

Overview, functions and applications for GMA and GEB

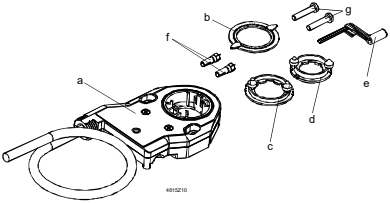
This overview provides a list of the accessories to functionally enhance the GMA and GEB air damper actuators as well as a list of the spare parts for the actuators.

Application examples and important dimensions are contained in the respective mounting installations (see document no.).

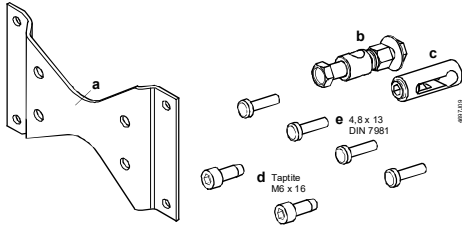
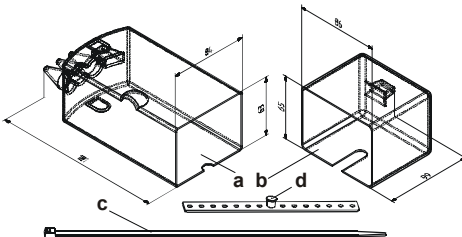
### Accessories for rotary actuators

Type Document no. (Classific. no.)	Designation / Delivery	Application	
		Actuator	Function
<b>ASK71.9</b>  7431902360 (M4614.1)	Universal lever  	GMA...1 GEB...1	<ul style="list-style-type: none"> <li>To convert linear movement to rotary movement, for mounting on an adjacent acuator shaft</li> <li>Can be used in connection with ASK71.11, ASK71.13 and ASK71.14</li> <li>Ball joints for push rod of 8 mm diameter</li> </ul>

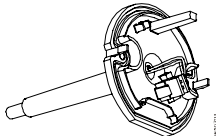
Type Document no. (Classific. no.)	Designation / Delivery	Application	
		Actuator	Function
<b>ASK71.11</b>  7431902370 (M4614.2)	Rotary/linear set for duct and frame mounting  	GMA...1 GEB...1	<ul style="list-style-type: none"> <li>To convert rotary movement to linear movement for duct or frame mounting</li> <li>Ball joints for push rod of 8 mm diameter</li> </ul>
<b>ASK71.13</b>  7431902380 (M4614.3)	Rotary/linear set with lever  		<ul style="list-style-type: none"> <li>To convert rotary movement to linear movement. Suited for               <ul style="list-style-type: none"> <li>Direct duct or wall mounting of the actuator via rear mounting</li> <li>Damper mounting for actuator with additional rotary/linear function</li> </ul> </li> <li>Ball joints for push rod of 8 mm diameter</li> </ul>
<b>ASK71.14</b>  7431902390 (M4614.4)	Rotary/linear set with lever and mounting plate  		<ul style="list-style-type: none"> <li>To convert rotary movement to linear movement</li> <li>Mounting the actuator on the mounting plate allows for actuator-side duct or frame mounting</li> <li>Ball joints for push rod of 8 mm diameter</li> </ul>
<b>ASK74.7</b>	Shaft extension  		<ul style="list-style-type: none"> <li>For extending the drive shaft by up to approx. 240 mm.</li> <li>For drive shafts of 8...25.6 mm dia. or 6...18 mm square</li> <li>Minimum shaft length 40 mm</li> <li>Can not be used in connection with ASK73.3</li> </ul>
<b>ASK75.3</b>  7431902400 (M4614.5)	Weather shield for rotary actuator  		<ul style="list-style-type: none"> <li>Provides additional protection of the rotary actuator against dust and splashwater in the case of outdoor application.</li> <li>UV-resistant</li> </ul>
<b>ASK75.6</b>  7431906630 (M4614.8)	Weather shield for rotary actuator  		<ul style="list-style-type: none"> <li>Provides additional protection to rotary actuator and when mounting in any given position</li> </ul>

Type Document no. (Classific. no.)	Designation / Delivery	Application	
		Actuator	Function
<b>ASC77.1E</b> <b>ASC77.2E</b>  7431904130 (M4615)	External auxiliary switches  	GMA...1  GEB...1	<ul style="list-style-type: none"> <li>ASC77.1E (1 switch)</li> <li>ASC77.2E (2 switches)</li> </ul>

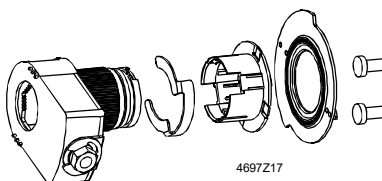
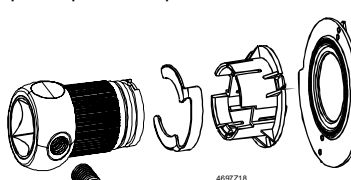
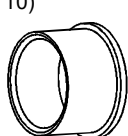
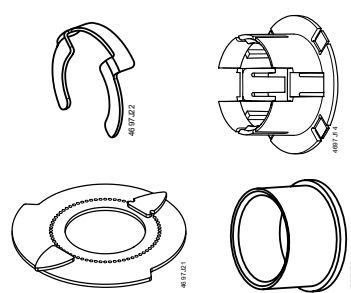
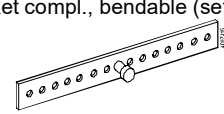
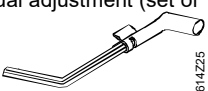
### Accessories for linear actuators

Type Document no. (Classific. no.)	Designation / Delivery	Application	
		Actuator	Function
<b>ASK72.3</b>  7431902420 (M4653.1)	Linear/rotary set with mounting plate  	GEB...2	<ul style="list-style-type: none"> <li>To convert linear movement into rotary movement</li> <li>Mounting the actuator on the mounting plate allows for actuator-side frame or duct mounting</li> <li>Linear limitation by adjusting the clamp on the push rod</li> <li>Ball joints for push rod of 8 mm diameter</li> </ul>
<b>ASK75.6</b>  7431906630 (M4614.8)	Weather shield for linear actuator  		<ul style="list-style-type: none"> <li>Provides additional protection to linear actuator and when mounting in any given position</li> </ul>

### Actuators for fire and smoke protection dampers

Type Document no. (Classific. no.)	Designation / Delivery	Application	
		Actuator	Function
<b>ASK79.4</b> <b>ASK79.5</b>  7431908350 (M4610)	Duct tip for temperature monitoring unit  	GNA..	<ul style="list-style-type: none"> <li>ASK79.4 ( 72 °C )</li> <li>ASK79.5 ( 95 °C )</li> </ul>

## Spare parts for rotary actuators

Spare part no.	Designation / Delivery	Application	
		Actuator	Function
<b>ASK74.12</b> (S55859-Z103)	Standard shaft adapter compl. 	GMA...1 GEB...1	This shaft adapter is <ul style="list-style-type: none"> <li>• self-centering</li> <li>• suitable for shafts of 6.4...20.5 mm diameter</li> </ul>
<b>ASK74.13</b> (S55859-Z104)	Shaft adapter square compl. 		15 mm
<b>ASK74.14</b> (S55859-Z105)			12 mm
<b>ASK74.15</b> (S55859-Z106)			10 mm
<b>ASK74.16</b> (S55859-Z107)			8 mm
<b>ASK74.22</b> (S55859-Z113)	Accessory kit (set of 10) 		Plug indicator Fixes the position indicator onto the plastic adapter.
<b>ASK71.01</b> (S55859-Z101)	Accessory kit (set of 10) 		Consisting of: <ul style="list-style-type: none"> <li>• Axial bracket: Fixes axle adapter in the actuator.</li> <li>• Plastic adapter with position indicator: Required on short damper shafts (&lt; 20 mm). It is inserted into the shaft adapter and carries the position indicator.</li> <li>• Position indicator: It is clamped on the shaft adapter or the plastic adapter and indicates the air damper rotational angle of the air damper.</li> <li>• Plug indicator: Fixes the position indicator onto the plastic adapter.</li> </ul>
<b>ASK71.07</b> (S55859-Z118)	Mounting bracket compl., bendable (set of 10) 		The mounting bracket is used to prevent the actuator from twisting and is secured with 2 steel screws (4.8 x 13 mm, DIN 7981).
<b>ASK71.20</b> (S55859-Z122)	Turnkey for manual adjustment (set of 10) 	GMA...1	Turnkey for the manual adjustment of the shaft adapter.