



ASC77.1E



ASC77.2E

OpenAir™

External Auxiliary Switches

ASC77.1E
ASC77.2E

Auxiliary switches designed for use with all rotary version types of GCA, GBB, GIB, GMA and GEB damper actuators.

- Prewired, complete with standard connecting cables of 0.9 m length, 3 x 0.75 mm² (ASC77.1E) or 6 x 0.75 mm² (ASC77.2E)
- Rated voltage AC 24...250 V / DC 12...30 V
- Switching points can be selected across the entire rotational angle range of 5...90 ° at increments of 5 °
- Switch position easy to read
- Current damper position indicated by position indicator

Use

The auxiliary switches are used to extend the scope of functions of all rotary version types of GCA, GBB, GIB, GMA and GEB damper actuators and to upgrade existing actuators that have no switching functions integrated.

Disposal



The device is considered an electronics device for disposal in terms of European Directive 2012/19/EU and may not be disposed of as domestic garbage.

- Dispose of the device through channels provided for this purpose.
- Comply with all local and currently applicable laws and regulations.

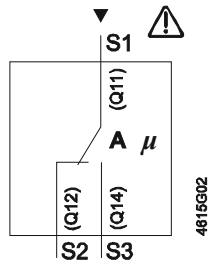
Technical data

	Rated voltage AC	AC 24...250 V
	Contact rating	6(2) A
	Frequency	50/60 Hz
	Rated voltage DC	DC 12...30 V
	Contact rating	2 A
	External supply line protection	Fuse slow max. 10 A or Circuit breaker max. 13 A Characteristic B, C, D according to EN 60898 or Power source with current limitation of max. 10 A
Environmental conditions	Operation	IEC 60721-3-3
	Temperature	-32...+55 °C
	Humidity (noncondensing)	< 95 % r. h.
	Transport	IEC 60721-3-2
	Temperature	-32...+70 °C
	Humidity (noncondensing)	< 95 % r. h.
Standards	Safety class to EN 60730	II
	Degree of protection to EN 60529	IP54
	Product safety:	
	Automatic electrical controls for household and similar use	EN 60730-1
	Electromagnetic compatibility (Applications)	For use in residential, commerce, light-industrial and industrial environments
	EU conformity (CE)	CE1T4615xx*)
	EAC conformity	Eurasia conformity
	Weight without packaging	0.48 kg

*) The documents can be downloaded from <http://siemens.com/bt/download>.

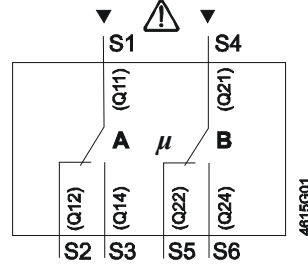
ASC77.1E

AC 24 V...250 V / 6(2) A
DC 12...30 V / 2 A



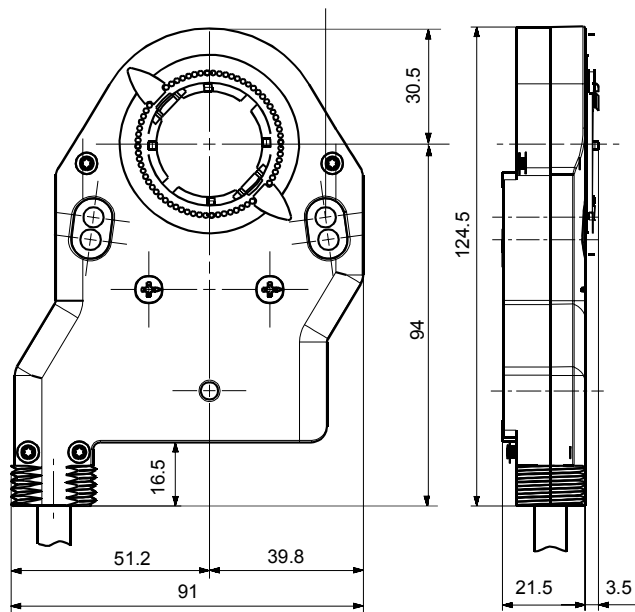
ASC77.2E

AC 24 V...250 V / 6(2) A
DC 12...30 V / 2 A



Voltage	Switch A (S1)	Switch B (S4)	Yes / No
AC 24 V	AC 24 V	AC 24 V	Yes
AC 230 V	L1 (live)	L1 (live)	Yes
	L2	L2	Yes
	L3	L3	Yes
	Lx (live)	≠ Lx (live)	No
Mixed	AC 24 V	AC 230 V	No
	AC 230 V	AC 24 V	No

Dimensions



Dimensions in mm

Published by:
Siemens Switzerland Ltd.
Building Technologies Division
International Headquarters
Gubelstrasse 22
6301 Zug
Switzerland
Tel. +41 41-724 24 24
www.siemens.com/buildingtechnologies

© Siemens Switzerland Ltd 2013
Delivery and technical specifications subject to change