



VVF53..



VXF53..



VVG41..



VXG41..

Acvatix™

Valves VVF..,VXF.., VVG41.., VXG41.., VVI41.., VXI41..

Basic Documentation - Version changes

Siemens Switzerland Ltd.
Building Technologies Division
International Headquarters
Gubelstrasse 22
6301 Zug
Switzerland
Phone +41 41-724 24 24
www.siemens.com/sbt

© Siemens Switzerland Ltd., 2011.
Subject to change

Table of contents

1	About this document	6
1.1	Navigation	6
1.2	Revision history	6
1.3	Reference documents.....	6
1.3.1	2- and 3-port valves with flanged connections	6
1.3.2	2- and 3-port valves with threaded connections.....	6
1.3.3	2- port valves with flanged connections and pressure compensation .7	
1.4	Before you start	7
1.4.1	Trademarks	7
1.4.2	Copyright.....	7
1.4.3	Quality assurance	7
1.4.4	Document use / request to the reader	8
1.5	Validity of documentation	8
2	Engineering	9
2.1	Product description	9
2.1.1	2-port valves	9
2.1.2	3-port valves.....	10
2.1.3	Type plate.....	11
2.2	Use.....	12
2.2.1	Compatibility with medium and temperature ranges.....	12
2.2.2	Fields of use	13
2.3	Type summary and equipment combinations.....	14
2.3.1	2-port valves with flanged connections	14
2.3.2	2- port valves with threaded connections.....	19
2.3.3	2- port valves with flanged connections and pressure compensation.....	21
2.3.4	3-port valves with flanged connections	22
2.3.5	3- port valves with threaded connections.....	26
2.3.6	Overview of actuators	27
2.4	Ordering	28
2.5	Accessories	28
2.5.1	Electrical accessories	28
2.5.2	Mechanical accessories	28
2.5.3	Adapters.....	29
2.5.4	Fittings.....	30
2.6	Product replacement.....	30
2.6.1	2-port valves	31
2.6.2	3-port valves.....	32
2.6.3	Accessories	33
2.7	Spare parts.....	33
2.8	Valve sizing for fluids (water, heat transfer oil)	35
2.8.1	Procedure for valve sizing.....	35
2.8.2	Flow chart.....	36
2.8.3	Impact of fluid properties on valve sizing	36
2.8.3.1	Density ρ	37
2.8.3.2	Specific heat capacity c	37
2.8.3.3	Kinematic viscosity ν	38
2.8.4	Influencing factors with selected groups of fluids	39
2.8.5	Rangeability S_v , minimum controllable output Q_{\min}	40
2.9	Sizing valves for steam	40

2.10	Calculation examples for water, heat transfer oil and steam	43
2.10.1	Example for water: Heater with pressure and variable volumetric flow	43
2.10.2	Example for water: Heater with low differential pressure without main pump	44
2.10.3	Example for heat transfer oil	45
2.10.4	Example for steam	47
2.11	Valve characteristics	49
2.11.1	2-port valves	49
2.11.2	3-port valves	49
2.12	Operating pressure and medium temperature	50
2.12.1	ISO 7005 and EN 1092 – a comparison	50
2.12.2	PN 6 valves with flanged connections	51
2.12.3	PN 10 valves with flanged connections	51
2.12.4	PN 16 valves with flanged connections	52
2.12.5	PN 25 valves with flanged connections	53
2.12.6	PN 16 valves with threaded connections	54
2.13	Cavitation	56
2.14	Medium quality and medium treatment.....	57
2.14.1	Water.....	57
2.14.2	Water with antifreeze	58
2.14.3	Deionized, demineralized water and super-clean water	59
2.14.4	Heat transfer oil (thermal oil)	60
2.15	Engineering notes.....	61
2.15.1	Strainer (dirt trap).....	61
2.15.2	Avoiding flow noise	61
2.15.3	Avoiding false circulation.....	61
2.15.4	Thermal insulation	62
2.16	Warranty.....	63
3	Handling.....	64
3.1	Mounting and installation	64
3.1.1	Mounting positions.....	64
3.1.2	Direction of flow for fluids and steam	64
3.1.3	Flanges	65
3.1.4	Stem heating element ASZ6.6.....	67
3.1.5	Thermal insulation	67
3.2	Commissioning and maintenance	68
3.2.1	Commissioning	68
3.2.2	Maintenance.....	68
3.3	Disposal	68
4	Functions and control	69
4.1	Selection of acting direction and valve characteristic	69
4.2	Calibration	70
4.3	Technical and mechanical design.....	70
4.3.1	Valves with pressure compensation	71
4.3.2	Plug stop	71
4.3.3	Valve stem, valve neck, coupling.....	71
4.3.4	Converting a 2-port to a 3-port valve	71
4.3.5	Converting a 3-port to a 2-port valve	72
4.3.6	Flange types.....	72
5	Technical data.....	73

6	Dimensions	76
7	Revision numbers.....	84
8	Addendum.....	86
8.1.1	Abbreviations.....	86
8.1.2	Important formulas.....	87
8.1.3	Valve-related glossary	87
8.1.4	Hydraulics-related glossary	88
8.1.5	Media-related glossary.....	89
8.1.6	Trade names.....	89
8.1.7	Overview of antifreeze and brines used in the trade	89

1 About this document

1.1 Navigation

You will find information about a specific valve throughout the document. The structure of chapters 2 to 4 is as follows:

2 Engineering	device oriented
3 Handling	process oriented
3.1 Mounting and installation	
3.2 Commissioning and maintenance	
3.3 ...	
4 Functions and control	assembly oriented
4.1 Selection of acting direction and valve characteristic	
4.2 Calibration	
4.3 ...	

1.2 Revision history

Revision	Date	Changes	Chapter	Page(s)
First edition	2011-09-11	-	-	-
Rev. 2	2014-02-03	VVF/VXF22/32/42 implemented VVF43/53..K implemented	all	-
Revision 2.1	2014-10-20	Changed VVF43/53..K	2.1.3, 2.3.3, 2.6.1-2.6.3, 2.7, 2.9, 2.11, 2.12.4-2.12.6, 3.1.2, 4.3.6, 6, 7	-
Revision 2.2	2017-03-02	Changed value in row 'Water with antifreeze'	2.8.3	39
		Corrected value to saturated steam	2.10.4	47

1.3 Reference documents

1.3.1 2- and 3-port valves with flanged connections

Type of document	VVF22.. VXF22..	VVF32.. VXF32..	VVF42.. VXF42..	VVF43.. VXF43..	VVF53.. VXF53..
Data Sheet	N4401	N4402	N4403	N4404	N4405
Mounting Instructions	M4030	M4030	M4030	M4030	M4030
CE Declaration of Conformity (PED)	-	T4030	T4030	T4030	T4030
Environmental Declaration	E4401	E4402	E4403	E4404	E4405

1.3.2 2- and 3-port valves with threaded connections

Type of document	VVG41..	VXG41..	VVI41.. / VXI41..
Data Sheet	N4363	N4464	N4362
Mounting Instructions	M4363	M4363	M4362
CE Declaration of Conformity (PED)	-	-	-
Environmental Declaration	E4363	E4363	E4362

1.3.3 2- port valves with flanged connections and pressure compensation

Type of document	VVF42..K	VVF43..K	VVF53..K
Data Sheet	N4403	N4404	N4405
Mounting Instructions	M4030	M4030	M4030
CE Declaration of Conformity (PED)	T4030	T4030	T4030
Environmental Declaration	E4403	E4404	E4405

1.4 Before you start

1.4.1 Trademarks

The table below lists the trademarks used in this document and their legal owners. The use of trademarks is subject to international and domestic provisions of the law.

Trademarks	Legal owner
Acvatix™	Siemens AG

All product names listed in the table are registered (®) or not registered (™) trademarks of the owner listed in the table. We forgo the labeling (e.g. using the symbols ® and ™) of trademarks for the purposes of legibility based on the reference in this section.

1.4.2 Copyright

This document may be duplicated and distributed only with the express permission of Siemens, and may be passed only to authorized persons or companies with the required technical knowledge.

1.4.3 Quality assurance

The document was prepared with great care. Please make sure that you are aware of the latest document revision date.

- The contents of all documents are checked at regular intervals
- Any corrections necessary are included in subsequent versions
- Documents are automatically amended as a consequence of modifications and corrections to the products described

If you find lack of clarity while using this document, or if you have any criticisms or suggestions, please get in touch with your local contact person in the nearest Siemens branch office. For addresses of the Siemens branch offices, please visit www.siemens.com/acvatix

1.4.4 Document use / request to the reader

Before using our products, it is important that you read the documents supplied with or ordered at the same time as the products (equipment, applications, tools, etc.) carefully and in full.

We assume that persons using our products and documents are authorized and trained appropriately and have the technical knowledge required to use our products as intended.

More information on the products and applications is available:

- On the intranet (Siemens employees only) at <https://workspace.sbt.siemens.com/content/00001123/default.aspx>.
- From the Siemens branch office near you or from your system supplier
- From the Support Team at headquarters (fieldsupport-zug.ch.sbt@siemens.com) if there is no local point of contact

Siemens assumes no liability to the extent allowed under the law for any losses resulting from a failure to comply with the aforementioned points or for improper compliance of the same.

1.5 Validity of documentation

This document shall serve as a knowledge base. In addition to basic knowledge, it provides general technical information about valves used in HVAC plants.

For project engineers, electrical HVAC planners, system integrators, and service engineers, the document contains all information required for planning, engineering, correct installation, commissioning, and servicing.

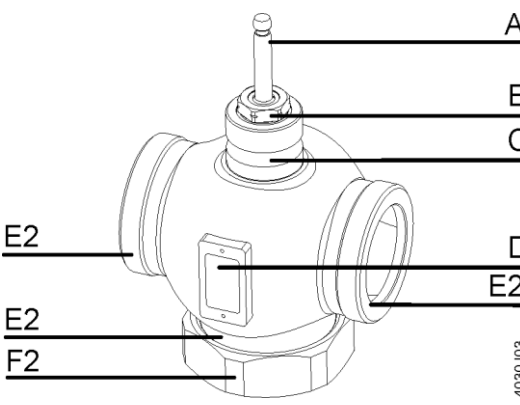
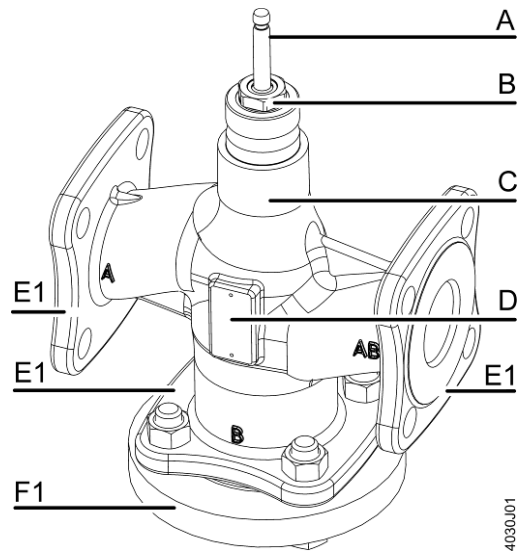
2 Engineering

2.1 Product description

The large-stroke valve line consists of 2-port and 3-port valves.

2.1.1 2-port valves

Type of valve	Product number	Connections
Standard valves	VVF22..., VVF32..., VVF42..	Flanged
	VVG41..	Externally threaded
	VVI41..	Internally threaded
High-performance valves for higher medium temperatures	VVF43..., VVF53..	Flanged
Pressure-compensated valves	VVF42..K, VVF43..K, VVF53..K	Flanged



		Page
A	Valve stem	71
B	Stem sealing gland	33
C	Valve neck	71
D	Type plate	10
E1	Flange	Connections 72
E2	External or internal thread	
F1	Blank flange	72
F2	Blank fitting	

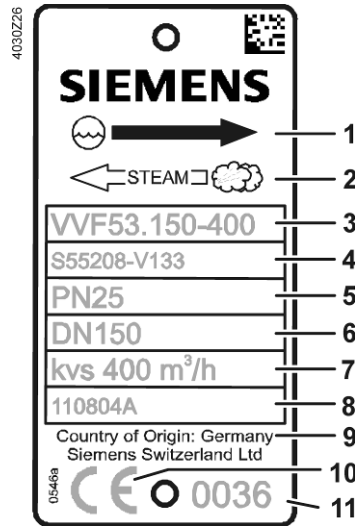
2.1.2 3-port valves

Type of valve	Product number	Connections
Standard valves	VXF22..., VXF32..., VXF42..	Flanged
	VXG41..	Externally threaded
	VXI41..	Internally threaded
High-performance valves for higher medium temperatures	VXF43..., VXF53..	Flanged

		Seite
A	Valve stem	71
B	Stem sealing gland	33
C	Valve neck	71
D	Type plate	10
E1	Flange	Connections 72
E2	External or internal thread	

2.1.3 Type plate

2-port valves



- 1 Flow direction for fluids
- 2 Flow direction for steam
Port markings are cast integral
- 3 Product number
- 4 Stock number
- 5 Nominal pressure class
- 6 Nominal size
- 7 k_{vs} value
- 8 Serial number
- 9 Country of origin
- 10 CE mark conforming to PED 97/23/EC.
Applies only to valves of category I or II conforming to PED 97/23/EC
- 11 Notified body number for monitoring production centers as per module A1 of PED 97/23/EC. Applies only to valves of category II



Fluids

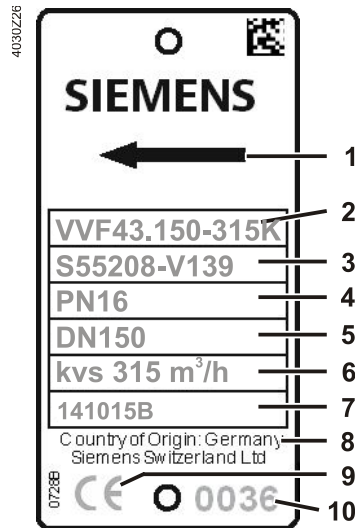


Steam



QR code (Siemens in-house usage)

2-port valves VVF43..K VVF53..K



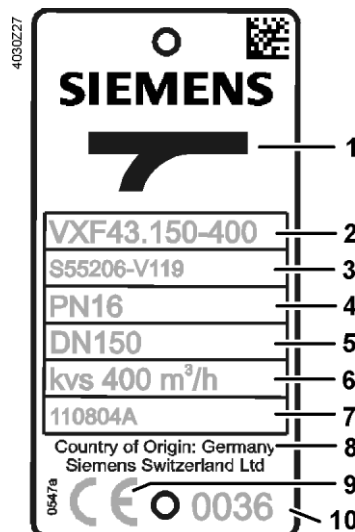
- 1 Flow direction
Port markings are cast integral
- 2 Product number
- 3 Stock number
- 4 Nominal pressure class
- 5 Nominal size
- 6 k_{vs} value
- 7 Serial number
- 8 Country of origin
- 9 CE mark conforming to PED 97/23/EC
- 10 Notified body number for monitoring production centers as per module A1 of PED 97/23/EC.

Applies only to valves of category II



QR code (Siemens in-house usage)

3-port valves



- 1 Flow direction for fluids
Port markings are cast integral
- 2 Product number
- 3 Stock number
- 4 Nominal pressure class
- 5 Nominal size
- 6 k_{vs} value
- 7 Serial number
- 8 Country of origin
- 9 CE mark conforming to PED 97/23/EC.
Applies only to valves of category I or II conforming to PED 97/23/EC
- 10 Notified body number for monitoring production centers as per module A1 of PED 97/23/EC. Applies only to valves of category II



QR code (Siemens in-house usage)

2.2 Use

The valves are used as control or shutoff valves in heating, ventilation and air conditioning plants for the production and distribution of heat or cooling energy, as well as in district heating plants and in steam applications.

All 3-port valves can be used as mixing valves (preferred use) or diverting valves. For use in closed or open hydraulic circuits, observe chapter "Cavitation", page 56.

2.2.1 Compatibility with medium and temperature ranges

Type of medium	Temperature range		Product number												Notes			
			S			H			S			D	W					
Version ¹⁾	T _{min} [°C]	T _{max} [°C]	V..F22..	V..F32..	V..F42..	VVF43..	VXF43..	VVF53..	VXF53..	VVG41..	VXG41..	VXG41..01	VVI41..	VXI41..	VVF42..K	VVF43..K	VVF53..K	
Type of connection ²⁾			F						ET			IT	F			-		
Cold water	1	25	■	■	■	■	■	■	■	■	■	■	■	■	■	■	■	-
Low-temperature hot water	1	130	■	■	■	■	■	■	■	■	■	■	■	■	■	■	■	-
High-temperature hot water ³⁾	130	150	-	■	■	■	■	■	■	■	■	■	■	■	■	■	■	-
	150	180	-	-	-	■	■	■	■	-	-	-	-	-	-	-	-	-
	180	220	-	-	-	-	-	■	■	-	-	-	-	-	-	-	-	-
Water with antifreeze	-25	130	-	-	-	-	-	-	-	■	■	■	■	■	- ⁷⁾	- ⁷⁾	- ⁷⁾	When using V..F43/53 for medium temperatures below -5 °C, the stem sealing gland must be replaced by 428488060.
	-20	130	-	-	-	■	■	■	■	■	■	■	■	■	- ⁷⁾	- ⁷⁾	- ⁷⁾	
	-10	130	■	■	■	■	■	■	■	■	■	■	■	■	■	■	■	
	-5	130	■	■	■	■	■	■	■	■	■	■	■	■	■	■	■	
Cooling water ⁴⁾	1	25	-	-	-	■	■	■	■	■	■	■	■	■	-	■	■	-
	1	90	-	-	-	-	-	-	-	-	-	■	-	-	-	-	-	• VXG41..01: - Tight bypass
Brines	-25	130	-	-	-	-	-	-	-	■	■	■	■	■	- ⁷⁾	- ⁷⁾	- ⁷⁾	When using V..F43/53 for medium temperatures below -5 °C, the stem sealing gland must be replaced by 428488060.
	-20	130	-	-	-	■	■	■	■	■	■	■	■	■	- ⁷⁾	- ⁷⁾	- ⁷⁾	
	-10	130	■	■	■	■	■	■	■	■	■	■	■	■	■	■	■	
	-5	130	■	■	■	■	■	■	■	■	■	■	■	■	■	■	■	
Saturated steam	100	150	-	-	-	■	-	■	-	■	-	-	■	-	-	■	■	-
	150	200	-	-	-	■	-	■	-	-	-	-	-	-	-	■	■	-
	200	220	-	-	-	-	■	-	-	-	-	-	-	-	-	-	■	-
Superheated steam ⁵⁾	120	150	-	-	-	■	-	■	-	■	-	-	■	-	-	■	■	-
	150	220	-	-	-	■	-	■	-	-	-	-	-	-	-	■	■	-
Heat transfer oils	20	220	-	-	-	■	■	■	■	-	-	-	-	-	-	■	■	On the basis of mineral oil
Super-clean water (Demineralized and deionized water)	1	150	-	-	-	-	-	-	-	-	-	-	-	-	-	-	-	-
Demineralized water according to VDI2035 / SWKI_BT102-01	1	130	■	■	■	■	■	■	■	■	■	■	■	■	■	■	■	-

¹⁾ Version: S = standard / H = high-performance / D = pressure-compensated / W = heat transfer oils

²⁾ Type of connection: F = flanged / ET = externally threaded / IT = internally threaded

³⁾ Differentiation due to saturated steam curve. For details, refer to chapter 2.12, page 50

⁴⁾ Open circuits

⁵⁾ Min. dryness at inlet: 0.98

⁶⁾ Use version with tight bypass VXG41..01!

⁷⁾ VVF42..K / VVF43..K / VVF53..K due to the sealing material in the pressure compensation these valves cannot be used for media temperatures below -5 °C

Note

For a detailed list of the permissible types of antifreeze and brines, refer to "8.1.7 Overview of antifreeze and brines used in the trade", page 89. The notes given under "2.14 Medium quality and medium treatment", page 57 must also be observed.

2.2.2 Fields of use

Fields of use	Product number																	
	3-port valves						2-port valves											
Version ¹⁾	S		H		S		S			H			S			D		
	VXF22..	VXF32..	VXF42..	VXF43..	VXF53..	VXG41..	VXG41..01	VXI41..	VVF22..	VVF32..	VVF42..	VVF43..	VVF53..	VVG41..	VVI41..	VVF42..K	VVF43..K	VVF53..K
Type of connection ²⁾	F	F	F	F	F	ET	IT	F	F	F	F	F	F	ET	IT	F	F	F
Generation																		
Boiler plants	■	■	■	■	■	■	■	■	■	■	■	■	■	■	■	■	■	■
District heating plants	-	-	-	-	-	-	-	-	-	■	■	■	■	■	-	■	■	■
Chiller plants	■	■	■	■	■	■	■	■	■	■	■	■	■	■	■	■	■	■
Cooling towers ³⁾	-	-	-	■	■	■	■	■	-	-	-	■	■	■	■	-	■	■
Distribution																		
Heating groups	■	■	■	■	■	■	■	■	■	■	■	■	■	■	■	■	■	■
Air handling units	■	■	■	■	■	■	■	■	■	■	■	■	■	■	■	■	■	■







¹⁾ Version: S = standard / H = high-performance / D = pressure-compensated / W = heat transfer oils

²⁾ Type of connection: F = flanged / ET = externally threaded / IT = internally threaded

³⁾ Open circuits







2.3 Type summary and equipment combinations

2.3.1 2-port valves with flanged connections

 PN 6  Data Sheet N4401	Actuators	Data Sheet	Stroke Positioning force			800 N		20 mm 1000 N		2800 N		40 mm 2800 N	
			DN	k _{vs}	S _v					Δp_s Δp_{max}	Δp_s Δp_{max}	Δp_s Δp_{max}	Δp_s Δp_{max}
-10...130 °C													
	Stock number		[m ³ /h]										
VVF22.25-2.5	S55200-V100	25	2.5	> 50	600	300	600	300	600	300	-	-	
VVF22.25-4	S55200-V101	25	4										
VVF22.25-6.3	S55200-V102	25	6.3										
VVF22.25-10	S55200-V103	25	10	> 100	550		450		600	300	-	-	
VVF22.40-16	S55200-V104	40	16										
VVF22.40-25	S55200-V105	40	25										
VVF22.50-40	S55200-V106	50	40										
VVF22.65-63	S55200-V107	65	63										
VVF22.80-100 ²⁾	S55200-V108	80	100										
VVF22.100-160 ²⁾	S55200-V109	100	160										

¹⁾ Flange type: 21; flange design: B (see "Flange types", page 72)

²⁾ Valve characteristic for k_{vs} value 100 m³/h from 70 % stroke and k_{vs} value 160 m³/h from 85 % stroke is optimized for maximum volumetric flow

 PN 10  Data Sheet N4402	Actuators	Data Sheet	Stroke Positioning force			800 N		20 mm 1000 N		2800 N		40 mm 2800 N	
			DN	k _{vs}	S _v					Δp_s Δp_{max}	Δp_s Δp_{max}	Δp_s Δp_{max}	Δp_s Δp_{max}
-10...150 °C													
	Stock number		[m ³ /h]										
VVF32.15-1.6	S55202-V100	15	1.6	>50	1000	400	1000	400	1000	400	-	-	
VVF32.15-2.5	S55202-V101	15	2.5										
VVF32.15-4	S55202-V102	15	4										
VVF32.25-6.3	S55202-V103	25	6.3	>100	550		750		1000	400	-	-	
VVF32.25-10	S55202-V104	25	10										
VVF32.40-16	S55202-V105	40	16										
VVF32.40-25	S55202-V106	40	25										
VVF32.50-40	S55202-V107	50	40										
VVF32.65-63	S55202-V108	65	63										
VVF32.80-100 ³⁾	S55202-V109	80	100										
VVF32.100-160 ³⁾	S55202-V110	100	160										
VVF32.125-250	S55202-V111	125	250										
VVF32.150-400 ³⁾	S55202-V112	150	400										

¹⁾ Flange type: 21; flange design: B (see "Flange types", page 72)

²⁾ Suitable for medium temperatures up to 130 °C







³⁾ Valve characteristic for k_{vs} value 100 m³/h from 70 % stroke, k_{vs} value 160 m³/h from 85 % stroke and k_{vs} value 400 m³/h from 90 % stroke is optimized for maximum volumetric flow

 PN 16 Product photo – to be created Data Sheet N4403 -10...150 °C	Actuators	Data Sheet	Stroke Positioning force			800 N		20 mm 1000 N		2800 N		40 mm 2800 N	
	 SAX.. ²⁾ Δp_s Δp_{max}	 SKD.. Δp_s Δp_{max}	 SKB.. Δp_s Δp_{max}	 SKC.. Δp_s Δp_{max}									
		DN	k_{vs}	S_v									
	Stock number		[m ³ /h]		[kPa]								
VVF42.15-1.6	S55204-V100	15	1.6	> 50	1600	400	1600	400	1600	400	-	-	
VVF42.15-2,5	S55204-V101	15	2.5										
VVF42.15-4	S55204-V102	15	4										
VVF42.20-6.3	S55204-V103	20	6.3										
VVF42.25-6.3	S55204-V104	25	6.3										
VVF42.25-10	S55204-V105	25	10	> 100	900	300	450	200	700	-	-		
VVF42.32-16	S55204-V106	32	16										
VVF42.40-16	S55204-V107	40	16										
VVF42.40-25	S55204-V108	40	25										
VVF42.50-31.5	S55204-V109	50	31.5										
VVF42.50-40	S55204-V110	50	40										
VVF42.65-50	S55204-V111	65	50										
VVF42.65-63	S55204-V112	65	63										
VVF42.80-80	S55204-V113	80	80										
VVF42.80-100 ³⁾	S55204-V114	80	100										
VVF42.100-125	S55204-V115	100	125	-	-	-	-	-	-	300	250		
VVF42.100-160 ³⁾	S55204-V116	100	160										
VVF42.125-200	S55204-V117	125	200										
VVF42.125-250	S55204-V118	125	250										
VVF42.150-315	S55204-V119	150	315										
VVF42.150-400 ³⁾	S55204-V120	150	400	-	-	-	-	-	-	190	160		

¹⁾ Flange type: 21; flange design: B (see "Flange types", page 72)

²⁾ Suitable for medium temperatures up to 130 °C

³⁾ Valve characteristic for k_{vs} value 100 m³/h from 70 % stroke, k_{vs} value 160 m³/h from 85 % stroke and k_{vs} value 400 m³/h from 90 % stroke is optimized for maximum volumetric flow

 PN 16  Data Sheet N4404	Actuators SAX.. ⁵⁾ SKD.. ²⁾ SKB.. SKC..	Data Sheet N4501 N4561 N4564 N4566	Stroke Positioning force DN k _{vs} S _v [m ³ /h]	800 N  SAX.. ⁵⁾ Δp _s Δp _{max}		20 mm 1000 N  SKD.. ²⁾ Δp _s Δp _{max}		2800 N  SKB.. Δp _s Δp _{max}		40 mm 2800 N  SKC.. Δp _s Δp _{max}		
				-20...220 °C Stock number	[kPa]	[kPa]	[kPa]	[kPa]	[kPa]	[kPa]	[kPa]	[kPa]
VVF53.15-.. ³⁾	S55208-..	15	0.16...1.25	> 50	2500	1200	2500	1200	2500	1200	-	-
VVF53.15-.. ³⁾	S55208-..	15	1.6...4	> 100	1600	750	1200	1100	2000	1150	-	-
VVF53.20-.. ³⁾	S55208-..	20	6.3									
VVF53.25-.. ³⁾	S55208-..	25	5...10									
VVF53.32-.. ³⁾	S55208-..	32	16									
VVF53.40-.. ³⁾	S55208-..	40	12.5...25									
VVF53.50-.. ³⁾	S55208-..	50	31.5...40									
VVF43.65-50	S55206-V100	65	50	> 100	-	-	-	-	-	-	700	650
VVF43.65-63 ⁴⁾	S55206-V101		63								450	400
VVF43.80-80	S55206-V102	80	80								300	250
VVF43.80-100 ⁴⁾	S55206-V103		100								190	160
VVF43.100-125	S55206-V104	100	125								125	100
VVF43.100-160 ⁴⁾	S55206-V105		160									
VVF43.125-200 ⁴⁾	S55206-V106	125	200									
VVF43.125-250 ⁴⁾	S55206-V107		250									
VVF43.150-315 ⁴⁾	S55206-V108	150	315									
VVF43.150-400	S55206-V109		400									

¹⁾ Flange type: 21; flange design: B (see "Flange types", page 72)

²⁾ Suitable for medium temperatures up to 150 °C







³⁾ See VVF53..., PN 25 (Data Sheet N4405): Flange dimensions for PN 25 are the same as those for PN 16

⁴⁾ Valve characteristic is optimized for maximum volumetric flow:
 - k_{vs} value 63 m³/h from 90 % stroke,
 - k_{vs} values 100, 160, 200 and 250 m³/h from 80 % stroke,
 - k_{vs} value 315 m³/h from 70 % stroke

⁵⁾ Suitable for medium temperatures up to 130 °C

Note

For applications with steam the maximum differential and closing pressures differ from the values above. For further details refer to "Applications with steam" on page 18.

 PN 25 PN 16 ¹⁾  Data Sheet N4405	Actuators	Data Sheet	Stroke Positioning force	800 N		20 mm 1000 N		2800 N		40 mm 2800 N																	
				Δp_s	Δp_{max}	Δp_s	Δp_{max}	Δp_s	Δp_{max}	Δp_s	Δp_{max}																
	SAX.. ⁵⁾ SKD.. ³⁾ SKB.. SKC..	N4501 N4561 N4564 N4566																									
-20...220 °C	Stock number	DN	k_{vs} [m ³ /h]	S_v	[kPa]																						
VVF53.15-0.16	S55208-V100	15	0.16	> 50	2500	1200	2500	1200	2500	1200	-	-															
VVF53.15-0.2	S55208-V101		0.2																								
VVF53.15-0.25	S55208-V102		0.25																								
VVF53.15-0.32	S55208-V103		0.32																								
VVF53.15-0.4	S55208-V104		0.4																								
VVF53.15-0.5	S55208-V105		0.5																								
VVF53.15-0.63	S55208-V106		0.63																								
VVF53.15-0.8	S55208-V107		0.8																								
VVF53.15-1	S55208-V108		1																								
VVF53.15-1.25	S55208-V109		1.25																								
VVF53.15-1.6	S55208-V110		1.6																								
VVF53.15-2	S55208-V111		2																								
VVF53.15-2.5	S55208-V112		2.5																								
VVF53.15-3.2	S55208-V113		3.2																								
VVF53.15-4	S55208-V114	4																									
VVF53.20-6.3	S55208-V116	20	6.3	> 100	900	750	1200	1100	-	-																	
VVF53.25-5	S55208-V117	25	5																								
VVF53.25-6.3	S55208-V118		6.3																								
VVF53.25-8	S55208-V119		8																								
VVF53.25-10	S55208-V120		10																								
VVF53.32-16	S55208-V122	32	16								> 100	550	500	750	650	2000	-	-									
VVF53.40-12.5	S55208-V123	40	12.5																								
VVF53.40-16	S55208-V124		16																								
VVF53.40-20	S55208-V125		20																								
VVF53.40-25	S55208-V126		25																								
VVF53.50-31.5	S55208-V127	50	31.5																> 100	350	300	450	400	1200	1150	-	-
VVF53.50-40	S55208-V128		40																								
VVF53.65-63 ⁴⁾	S55208-V129	65	63																								
VVF53.80-100 ⁴⁾	S55208-V130	80	100																								
VVF53.100-160 ⁴⁾	S55208-V131	100	160																								
VVF53.125-250 ⁴⁾	S55208-V132	125	250																								
VVF53.150-400	S55208-V133	150	400																								

¹⁾ DN 15...50: Flange dimensions for PN 16 and PN 25

DN 65...150: Flange dimensions for PN 25 only

²⁾ Flange type: 21; flange design: B (see "Flange types", page 72)

³⁾ Suitable for medium temperatures up to 150 °C

⁴⁾ Valve is optimized for maximum volumetric flow:

- k_{vs} value 63 m³/h from 90 % stroke,

- k_{vs} values 100, 160 and 250 m³/h from 80 % stroke

⁵⁾ Suitable for medium temperatures up to 130 °C



Note

Other maximum differential and closing pressures are valid for applications with steam, for further details refer to "Applications with steam" on page 18.







Applications with steam

Valves of the product lines VVF43.. and VVF53.. have to be operated with inverted flow direction for steam. This results in combination with electrohydraulic actuators of the product lines SKD.., SKB.. und SKC.. with significantly higher closing pressures Δp_s and higher maximum differential pressures Δp_{max} . In individual cases the k_{vs} value is reduced and it has to be assured from the system side, when the system is starting up that the maximum differential pressure Δp_{max} is not exceeded so that the actuator can reliably open the valve.

Steam






 PN 25 PN 16 ¹⁾  Data Sheet N4405	Actuators	Data Sheet	Stroke Positioning force			800 N		20 mm 1000 N		2800 N		40 mm 2800 N	
			DN	k_{vs}	S_v	Δp_s Δp_{max}	Δp_s Δp_{max}	Δp_s Δp_{max}	Δp_s Δp_{max}	Δp_s Δp_{max}			
+100...220 °C	Stock number		[m ³ /h]										
VVF53.15-0.16	S55208-V100	N4501	0.16	> 50				1200	2500	2500	1200	-	-
VVF53.15-0.2	S55208-V101	N4561	0.2										
VVF53.15-0.25	S55208-V102	N4564	0.25										
VVF53.15-0.32	S55208-V103	N4566	0.32										
VVF53.15-0.4	S55208-V104		0.4										
VVF53.15-0.5	S55208-V105		0.5										
VVF53.15-0.63	S55208-V106		0.63										
VVF53.15-0.8	S55208-V107		0.8										
VVF53.15-1	S55208-V108		1										
VVF53.15-1.25	S55208-V109		1.25										
VVF53.15-1.6	S55208-V110		1.6										
VVF53.15-2	S55208-V111		2										
VVF53.15-2.5	S55208-V112		2.5										
VVF53.15-3.2	S55208-V113		3.2										
VVF53.15-4 ⁴⁾	S55208-V114		3.6										
VVF53.20-6.3 ⁴⁾	S55208-V116	20	5	> 100					2500	2500	1200	-	-
VVF53.25-5	S55208-V117	25	5										
VVF53.25-6.3	S55208-V118		6.3										
VVF53.25-8	S55208-V119		8										
VVF53.25-10 ⁴⁾	S55208-V120		8										
VVF53.32-16 ⁴⁾	S55208-V122	32	15										
VVF53.40-12.5	S55208-V123	40	12.5										
VVF53.40-16	S55208-V124		16										
VVF53.40-20	S55208-V125		20										
VVF53.40-25 ⁴⁾	S55208-V126		23										
VVF53.50-31.5	S55208-V127	50	31.5										
VVF53.50-40	S55208-V128		40										
VVF53.65-63	S55208-V129	65	63										
VVF53.80-100	S55208-V130	80	100										
VVF53.100-160 ⁴⁾	S55208-V131	100	150										
VVF53.125-250 ⁴⁾	S55208-V132	125	220										
VVF53.150-400	S55208-V133	150	360										

1) DN 15...50: Flange dimensions for PN 16 and PN 25
 DN 65...150: Flange dimensions for PN 25 only
 2) Flange type: 21; flange design: B (see "Flange types", page 72)
 3) Suitable for medium temperatures up to 150 °C
 4) Reduced k_{vs} value
 5) Suitable for medium temperatures up to 130 °C



 PN 16  Data Sheet N4404 +100...220 °C	Actuators SAX.. ⁵⁾ SKD.. ²⁾ SKB.. SKC..	Data Sheet N4501 N4561 N4564 N4566	Stroke Positioning force				800 N		20 mm 1000 N		2800 N		40 mm 2800 N	
			Stock number Stock number	DN	k_{vs} [m³/h]	S_v	 SAX..⁵⁾ Δp_s Δp_{max}	 SKD..²⁾ Δp_s Δp_{max}	 SKB.. Δp_s Δp_{max}	 SKC.. Δp_s Δp_{max}	[kPa]			
VVF43.65-50	S55206-V100	65	50	> 100	-	-	-	-	-	-	1600	800		
VVF43.65-63	S55206-V101		63									750		
VVF43.80-80	S55206-V102	80	80									500		
VVF43.80-100	S55206-V103		100									300		
VVF43.100-125	S55206-V104	100	125									200		
VVF43.100-160 ³⁾	S55206-V105		150									150		
VVF43.125-200	S55206-V106	125	200									100		
VVF43.125-250 ³⁾	S55206-V107		220									75		
VVF43.150-315 ³⁾	S55206-V108	150	280									50		
VVF43.150-400 ³⁾	S55206-V109		360									30		

- ¹⁾ Flange type: 21; flange design: B (see "Flange types", page 72)
- ²⁾ Suitable for medium temperatures up to 150 °C
- ³⁾ Reduced k_{vs} value
- ⁴⁾ Suitable for medium temperatures up to 130 °C

2.3.2 2- port valves with threaded connections

 PN 16  Data Sheet N4363 -25...150 °C	Actuators SAX.. SKD.. SKB..	Data Sheet N4501 N4561 N4564	Stroke Positioning force				800 N		20 mm 1000 N		2800 N	
			Stock number	DN	k_{vs} [m³/h]	S_v	Threaded connection [Inch]	 SAX..¹⁾ Δp_s Δp_{max}	 SKD.. Δp_s Δp_{max}	 SKB.. Δp_s Δp_{max}	[kPa]	
VVG41.11	VVG41.11	15	0.63	> 50	G 1B	1600	800	1600	800	1600	800	
VVG41.12	VVG41.12	15	1		G 1B							
VVG41.13	VVG41.13	15	1.6		G 1B							
VVG41.14	VVG41.14	15	2.5		G 1B							
VVG41.15	VVG41.15	15	4		G 1B							
VVG41.20	VVG41.20	20	6.3		G 1½B							
VVG41.25	VVG41.25	25	10	> 100	G 1½B	1550	1275	775	775			
VVG41.32	VVG41.32	32	16		G 2B	875						
VVG41.40	VVG41.40	40	25		G 2¼B	525				525	775	775
VVG41.50	VVG41.50	50	40		G 2¼B	300				300	450	450

- ¹⁾ Suitable for medium temperatures up to 130 °C






 PN 16  Data Sheet N4362	Actuators SAX.. SKD..	Data Sheet				Stroke Positioning force	20 mm			
		DN [mm]	k_{vs} [m ³ /h]	S_v	Threaded connection [Inch]		800 N		1000 N	
-25...150 °C	Stock number					[kPa]				
VVI41.15-2.5	C/VVI41.15-2.5	15	2.5	> 50	Rp ½	1600	400	1600	400	
VVI41.15-4	C/VVI41.15-4	15	4		Rp ½					
VVI41.20-6.3	C/VVI41.20-6.3	20	6.3	> 100	Rp ¾	1550	400	1275	400	
VVI41.25-10	C/VVI41.25-10	25	10		Rp 1					
VVI41.32-16	C/VVI41.32-16	32	16		Rp 1¼					
VVI41.40-25	C/VVI41.40-25	40	25		Rp 1½					
VVI41.50-40	C/VVI41.50-40	50	40		Rp 2	300	300	450		

1) Suitable for medium temperatures up to 130 °C

Valves of series VVI41... are only available in Asia.

2.3.3 2- port valves with flanged connections and pressure compensation

Fluids

 PN 16 Product Photo ¹⁾ Data Sheet N4403 -5...150 °C	Actuators	Data Sheet	Stroke Positioning force	800 N		20 mm 1000 N		2800 N		40 mm 2800 N			
				Δp_s	Δp_{max}	Δp_s	Δp_{max}	Δp_s	Δp_{max}	Δp_s	Δp_{max}		
	SAX.. SKD.. SKB.. SKC..	N4501 N4561 N4564 N4566											
		DN	k_{vs}	[kPa]									
	Stock number		[m ³ /h]										
	VVF42.50-40K ³⁾	S55204-V121	50	40	> 100	1600	400	1600	400	1600	400	-	-
	VVF42.65-63K ³⁾	S55204-V122	65	63		-	-	-	-	-	-	-	-
	VVF42.80-100K ³⁾	S55204-V123	80	100									
	VVF42.100-160K ³⁾	S55204-V124	100	160									
	VVF42.125-250K ³⁾	S55204-V125	125	250									
	VVF42.150-360K	S55204-V126	150	360								1600	400

¹⁾ Flange type: 21; flange design: B (see "Flange types", page 72)

²⁾ Suitable for medium temperatures up to 130 °C







³⁾ Valve characteristics for pressure compensated valves for k_{vs} value 100 m³/h from 70 % stroke, k_{vs} value 40,160 and 250 m³/h from 80 % stroke and k_{vs} value 63 m³/h from 90 % stroke is optimized for maximum volumetric flow.

Fluids and Steam

Applications with steam

Valves of the product lines VVF43..K and VVF53..K are regarding flow direction optimized for fluids and steam. This results in combination with electrohydraulic actuators of the product lines SKD.., SKB.. und SKC.. with significantly higher closing pressures Δp_s and higher maximum differential pressures Δp_{max} .

In individual cases the k_{vs} value is reduced and it has to be assured from the system side, when the system is starting up that the maximum differential pressure Δp_{max} is not exceeded so that the actuator can reliably open the valve.







 PN 16  ¹⁾ Data Sheet N4404 -5...220 °C	Actuators	Data Sheet	Stroke Positioning force	800 N		20 mm 1000 N		2800 N		40 mm 2800 N			
				Δp_s	Δp_{max}	Δp_s	Δp_{max}	Δp_s	Δp_{max}	Δp_s	Δp_{max}		
	SAX.. SKD.. SKB.. SKC..	N4501 N4561 N4564 N4566											
		DN	k_{vs}	[kPa]									
	Stock number		[m ³ /h]										
	VVF43.65-63K ³⁾	S55206-V110	65	63	> 100	-	-	-	-	-	-	1600	800
	VVF43.80-100K ³⁾	S55206-V111	80	100									
	VVF43.100-150K ³⁾	S55206-V120	100	150									
	VVF43.125-220K ³⁾	S55206-V121	125	220									
	VVF43.150-315K	S55206-V122	150	315									

¹⁾ Flange type: 21; flange design: B (see "Flange types", page 72)

²⁾ Suitable for medium temperatures up to 150 °C












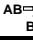


³⁾ Valve characteristics for pressure compensated valves for k_{vs} value 63 m³/h from 90 % stroke, k_{vs} value 100,150 and 220 m³/h from 80 % stroke is optimized for maximum volumetric flow.

⁴⁾ Suitable for medium temperatures up to 130 °C






 PN 16 PN 25 ¹⁾  ²⁾ Data Sheet N4405 -5...220 °C	Actuators	Data Sheet	Stroke Positioning force	800 N		20 mm 1000 N		2800 N		40 mm 2800 N		
				Δp_s	Δp_{max}	Δp_s	Δp_{max}	Δp_s	Δp_{max}	Δp_s	Δp_{max}	
	SAX.. ⁵⁾ SKD.. ³⁾ SKB.. SKC..	N4501 N4561 N4564 N4566										
		DN	k_{vs}	S_v	[kPa]							
	Stock number		[m ³ /h]									
	VVF53.50-40K	S55208-V134	50	40	-	-	2500	1250	2500	1250	-	-
	VVF53.65-63K ⁴⁾	S55208-V135	65	63								
	VVF53.80-100K ⁴⁾	S55208-V136	80	100								
	VVF53.100-150K ⁴⁾	S55208-V158	100	150	-	-	-	-	-	-	2500	1250
	VVF53.125-220K ⁴⁾	S55208-V159	125	220								
	VVF53.150-315K	S55208-V160	150	315								

- 1) DN 15...50: Flange dimensions for PN 16 and PN 25
DN 65...150: Flange dimensions for PN 25 only
- 2) Flange type: 21; flange design: B (see "Flange types", page 72)
- 3) Suitable for medium temperatures up to 150 °C
- 4) Valve characteristics for pressure compensated valves for k_{vs} value 63 m³/h from 90 % stroke, k_{vs} value 100,150 and 220 m³/h from 80 % stroke is optimized for maximum volumetric flow.
- 5) Suitable for medium temperatures up to 130 °C

2.3.4 3-port valves with flanged connections

 PN 6 ¹⁾  ¹⁾ Data Sheet N4401 -10...130 °C	Actuators	Data Sheet	Stroke Positioning force	800 N		20 mm 1000 N		2800 N		40 mm 2800 N		
				Δp_{max}	Δp_{max}	Δp_{max}	Δp_{max}	Δp_{max}	Δp_{max}			
	SAX.. SKD.. SKB.. SKC..	N4501 N4561 N4564 N4566										
		DN	k_{vs}	S_v	[kPa]							
	Stock number		[m ³ /h]									
	VXF22.25-2.5	S55200-V110	25	2,5								
	VXF22.25-4	S55200-V111	25	4								
	VXF22.25-6.3	S55200-V112	25	6,3								
	VXF22.25-10	S55200-V113	25	10								
	VXF22.40-16	S55200-V114	40	16	300	100	300	100	300	100	-	-
	VXF22.40-25	S55200-V115	40	25								
	VXF22.50-40	S55200-V116	50	40								
	VXF22.65-63	S55200-V117	65	63	150	50	200	80				
	VXF22.80-100 ²⁾	S55200-V118	80	100	75		125	50				
	VXF22.100-160 ²⁾	S55200-V119	100	160	-	-	-	-	-	-	250	100







- 1) Flange type: 21; flange design: B (see "Flange types", page 72)
- 2) Valve characteristic for k_{vs} value 100 m³/h from 70 % stroke and k_{vs} value 160 m³/h from 85 % stroke is optimized for maximum volumetric flow

 PN 10 Product photo Data Sheet N4402	Actuators SAX.. SKD.. SKB.. SKC..	Data Sheet N4501 N4561 N4564 N4566	Stroke Positioning force 800 N 20 mm 1000 N 2800 N 40 mm 2800 N	 SAX.. ²⁾ Δp_{max}								 SKD.. Δp_{max}		 SKB.. Δp_{max}		 SKC.. Δp_{max}	
				DN	k_{vs}	S_v	[kPa]										
-10...150 °C	Stock number		[m ³ /h]	A→AB B	AB→A B	A→AB B	AB→A B	A→AB B	AB→A B	A→AB B	AB→A B	A→AB B	AB→A B				
VXF32.15-1.6	S55202-V113	15	1.6	400	100	400	100	400	100	-	-	-	-				
VXF32.15-2.5	S55202-V114	15	2.5														
VXF32.15-4	S55202-V115	15	4														
VXF32.25-6.3	S55202-V116	25	6.3														
VXF32.25-10	S55202-V117	25	10														
VXF32.40-16	S55202-V118	40	16														
VXF32.40-25	S55202-V119	40	25	300	50	200	80	-	-	-	-	-					
VXF32.50-40	S55202-V120	50	40														
VXF32.65-63	S55202-V121	65	63														
VXF32.80-100	S55202-V122	80	100														
VXF32.100-160	S55202-V123	100	160														
VXF32.125-250	S55202-V124	125	250														
VXF32.150-400	S55202-V125	150	400	-	-	-	-	-	-	-	-	250	50				
												160					
												125					







¹⁾ Flange type: 21; flange design: B (see "Flange types", page 72)

²⁾ Suitable for medium temperatures up to 130 °C

³⁾ Valve characteristic for k_{vs} value 100 m³/h from 70 % stroke, k_{vs} value 160 m³/h from 85 % stroke and k_{vs} value 400 m³/h from 90 % stroke is optimized for maximum volumetric flow






 PN 16  Data Sheet N4404	Actuators SAX.. ⁵⁾ SKD.. ²⁾ SKB.. SKC..	Data Sheet N4501 N4561 N4564 N4566	Stroke Positioning force DN k _{vs} S _v	800 N		20 mm 1000 N		2800 N		40 mm 2800 N		
				 SAX.. ⁵⁾ Δp _{max}	 SKD.. ²⁾ Δp _{max}	 SKB.. Δp _{max}	 SKC.. Δp _{max}	[kPa]				
-20...220 °C	Stock number		[m ³ /h]	A → AB	AB → A	A → AB	AB → A	A → AB	AB → A	A → AB	AB → A	
VXF53.15-.. ³⁾	S55208-..	15	1.6/2.5/4	> 100	1200	200	1200	200	1200	200	-	-
VXF53.20-.. ³⁾	S55208-..	20	6.3									
VXF53.25-.. ³⁾	S55208-..	25	6.3/10									
VXF53.32-.. ³⁾	S55208-..	32	16									
VXF53.40-.. ³⁾	S55208-..	40	16/25									
VXF53.50-.. ³⁾	S55208-..	50	40									
VXF43.65-63 ⁴⁾	S55206-V115	65	63	> 100	-	-	-	-	-	-	650	200
VXF43.80-100 ⁴⁾	S55206-V116	80	100								400	200
VXF43.100-160 ⁴⁾	S55206-V117	100	160								250	150
VXF43.125-250 ⁴⁾	S55206-V118	125	250								160	100
VXF43.150-400	S55206-V119	150	400								100	70

- ¹⁾ Flange type: 21; flange design: B (see "Flange types", page 72)
- ²⁾ Suitable for medium temperatures up to 150 °C
- ³⁾ See VXF53..., PN 25 (data sheet N4405): Flange dimensions for PN 25 are the same as for PN 16
- ⁴⁾ Valve is optimized for maximum volumetric flow:
 - k_{vs} value 63 m³/h from 90 % stroke,
 - k_{vs} values 100, 160 and 250 m³/h from 80 % stroke
- ⁵⁾ Suitable for medium temperatures up to 130 °C





 PN 25 PN 16 ¹⁾  Data Sheet N4405	Actuators SAX.. ⁵⁾ SKD.. ³⁾ SKB.. SKC..	Data Sheet N4501 N4561 N4564 N4566	Stroke Positioning force DN k _{vs} S _v	800 N		20 mm 1000 N		2800 N		40 mm 2800 N			
				 SAX.. ⁵⁾ Δp _{max}	 SKD.. ³⁾ Δp _{max}	 SKB.. Δp _{max}	 SKC.. Δp _{max}	[kPa]					
-20...220 °C	Stock number		[m ³ /h]	A → AB	AB → A	A → AB	AB → A	A → AB	AB → A	A → AB	AB → A		
VXF53.15-1.6	S55208-V140	15	1.6	> 100	1200	200	1200	200	1200	200	-	-	
VXF53.15-2.5	S55208-V141	15	2.5										
VXF53.15-4	S55208-V142	15	4										
VXF53.20-6.3	S55208-V144	20	6.3										
VXF53.25-6.3	S55208-V145	25	6.3										
VXF53.25-10	S55208-V146	25	10										
VXF53.32-16 ⁴⁾	S55208-V148	32	16										
VXF53.40-16	S55208-V149	40	16										
VXF53.40-25 ⁴⁾	S55208-V150	40	25										
VXF53.50-40 ⁴⁾	S55208-V152	50	40										
VXF53.65-63 ⁴⁾	S55208-V153	65	63	-	-	-	-	-	-	-	-		
VXF53.80-100 ⁴⁾	S55208-V154	80	100									650	200
VXF53.100-160 ⁴⁾	S55208-V155	100	160									250	150
VXF53.125-250 ⁴⁾	S55208-V156	125	250									160	100
VXF53.150-400	S55208-V157	150	400									100	70

- ¹⁾ DN 15...50: Flange dimensions for PN 16 and PN 25
DN 65...150: Flange dimensions for PN 25 only
- ²⁾ Flange type: 21; flange design: B (see "Flange types", page 72)
- ³⁾ Suitable for medium temperatures up to 150 °C
- ⁴⁾ Valve is optimized for maximum volumetric flow:
 - k_{vs} value 63 m³/h from 90 % stroke,
 - k_{vs} values 16, 25, 40, 100, 160 and 250 m³/h from 80 % stroke
- ⁵⁾ Suitable for medium temperatures up to 130 °C

2.3.5 3- port valves with threaded connections

 PN 16  Data Sheet N4463	Actuators		Data Sheet		Stroke Positioning force			20 mm		800 N		1000 N		2800 N	
	SAX.. ²⁾ SKD.. SKB..		N4501 N4561 N4564					 SAX.. ²⁾ Δp_{max}		 SKD.. Δp_{max}		 SKB.. Δp_{max}			
-25...150 °C	Art.-Nr.	Typ ¹⁾	Art.-Nr. ¹⁾	DN	k_{vs} [m ³ /h]	S_v	Threaded connection [Inch]	A \rightarrow AB B	AB \rightarrow A B	A \rightarrow AB B	AB \rightarrow A B	A \rightarrow AB B	AB \rightarrow A B	A \rightarrow AB B	AB \rightarrow A B
-	-	VXG41.1301	VXG41.1301	15	1.6	> 50	G 1B	800	200	800	200	800	200		
-	-	VXG41.1401	VXG41.1401	15	2.5		G 1B								
VXG41.15	VXG41.15	VXG41.1501	VXG41.1501	15	4		G 1B								
VXG41.20	VXG41.20	VXG41.2001	VXG41.2001	20	6.3	> 100	G 1½B	525	150	775	150	800	150		
VXG41.25	VXG41.25	VXG41.2501	VXG41.2501	25	10		G 1½B								
VXG41.32	VXG41.32	VXG41.3201	VXG41.3201	32	16		G 2B								
VXG41.40	VXG41.40	VXG41.4001	VXG41.4001	40	25		G 2¼B								
VXG41.50	VXG41.50	VXG41.5001	VXG41.5001	50	40		G 2¾B								

- ¹⁾ These types, as a standard, are equipped with a tight bypass. DVGW and SVGW verified DVGW applications according to drinking water regulation 2001. For medium temperatures up to 90 °C
- ²⁾ Suitable for medium temperatures up to 130 °C

 PN 16  Data Sheet N4362	Actuators		Data Sheet		Stroke Positioning force			20 mm		800 N		1000 N	
	SAX.. ¹⁾ SKD..		N4501 N4561					 SAX.. ¹⁾ Δp_{max}		 SKD.. Δp_{max}			
-25...150 °C	Artikelnummer	DN	k_{vs} [m ³ /h]	S_v	Threaded connection [Inch]	A \rightarrow AB B	AB \rightarrow A B	A \rightarrow AB B	AB \rightarrow A B	A \rightarrow AB B	AB \rightarrow A B	A \rightarrow AB B	AB \rightarrow A B
VXI41.15-2.5	C/VXI41.15-2.5	15	2.5	> 50	Rp ½	400	100	400	100	300			
VXI41.15-4	C/VXI41.15-4	15	4		Rp ½								
VXI41.20-6.3	C/VXI41.20-6.3	20	6.3	> 100	Rp ¾	300	100	400	100				
VXI41.25-10	C/VXI41.25-10	25	10		Rp 1								
VXI41.32-16	C/VXI41.32-16	32	16		Rp 1¼								
VXI41.40-25	C/VXI41.40-25	40	25		Rp 1½								
VXI41.50-40	C/VXI41.50-40	50	40		Rp 2								

- ¹⁾ Suitable for medium temperatures up to 130 °C

Valves of series VXI41... are only available in Asia.

2.3.6 Overview of actuators

Product number	Stock number	Stroke	Positioning force	Operating voltage	Positioning signal	Spring return time	Positioning time	LED	Manual adjuster	Auxiliary functions			
SAX31.00	S55150-A105	20 mm	800 N	AC 230 V	3-position	-	120 s	-	Press and fix	1)			
SAX31.03	S55150-A106			AC 24 V DC 24 V	0...10 V 4...20 mA 0...1000 Ω		-	30 s			✓	2), 3)	
SAX61.03	S55150-A100					3-position			-	120 s	Press and fix		1)
SAX81.00	S55150-A102									30 s			
SAX81.03	S55150-A103												
SKD32.21	SKD32.21	20 mm	1000 N	AC 230 V	3-position	8 s	Opening: 30 s Closing: 10 s	-	Turn, position is maintained	1)			
SKD32.50	SKD32.50					-	120 s						
SKD32.51	SKD32.51					8 s							
SKD60	SKD60			AC 24 V	0...10 V 4...20 mA 0...1000 Ω	-	15 s	Opening: 30 s Closing: 15 s	✓	2)			
SKD62	SKD62												
SKD62U	SKD62U												
SKD62UA	SKD62UA										3-position	-	120 s
SKD82.50	SKD82.50												
SKD82.50U	SKD82.50U												
SKD82.51	SKD82.51			8 s									
SKD82.51U	SKD82.51U												
SKB32.50	SKB32.50	20 mm	2800 N	AC 230 V	3-position	-	120 s	-	Turn, position is maintained	1)			
SKB32.51	SKB32.51					10 s							
SKB60	SKB60			AC 24 V	0...10 V 4...20 mA 0...1000 Ω	-	10 s	Opening: 120 s Closing: 20 s	✓	2)			
SKB62	SKB62												
SKB62U	SKB62U										3-position	-	120 s
SKB62UA	SKB62UA												
SKB82.50	SKB82.50												
SKB82.50U	SKB82.50U												
SKB82.51	SKB82.51	10 s											
SKB82.51U	SKB82.51U												
SKC32.60	SKC32.60	40 mm	2800 N	AC 230 V	3-position	-	120 s	-	Turn, position is maintained	1)			
SKC32.61	SKC32.61					18 s							
SKC60	SKC60			AC 24 V	0...10 V 4...20 mA 0...1000 Ω	-	20 s	Opening: 120 s Closing: 20 s	✓	2)			
SKC62	SKC62												
SKC62U	SKC62U										3-position	-	120 s
SKC62UA	SKC62UA												
SKC82.60	SKC82.60												
SKC82.60U	SKC82.60U												
SKC82.61	SKC82.61	18 s											
SKC82.61U	SKC82.61U												

- 1) Auxiliary switch, potentiometer
2) Position feedback, forced control, selection of valve characteristic
3) Optional: Sequence control, selection of acting direction
4) Plus sequence control, stroke limitation, and selection of acting direction

2.4 Ordering

Example

Product number	Stock number	Description	Quantity
VVF53.15-0.16	S55208-V100	2-port valve	1
ASZ6.6	S55845-Z108	Stem heating element	1
-	4 284 8806 0	Stem sealing gland EPDM	1

Delivery


Actuator, valve and accessories are packed and supplied as separate items.

Note

Counter-flanges, bolts and gaskets must be provided on site.

2.5 Accessories

2.5.1 Electrical accessories



Product number	Stock no.	Description	Note	
ASZ6.6	S55845-Z108	Stem heating element	Required for medium temperatures < 0 °C	


Note

Valve lines V..F43/53..

When using a stem heating element and the medium temperature is below –5 °C, the stem sealing gland must be replaced. In that case, the sealing gland must be ordered also (stock number 4 284 8806 0).

2.5.2 Mechanical accessories

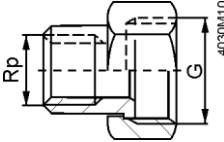
Product number	Stock number	Mechanical stroke inverter								
		Description	Valves	DN	SAX..	SKD..	SKB..	SKC..	SAV..	
ASK50	ASK50	<ul style="list-style-type: none"> Mechanical change of acting direction for valves with 20 mm stroke 0 % stroke of the actuator corresponds to 100 % stroke of the valve To be fitted between valve and actuator 	V..F22..	25...80	-	✓	-	-	-	
			V..F32..	15...80						
			V..F42..	15...80						
			V..F53..	15...50						
			V..G41..	15...50						
ASK51	ASK51	<ul style="list-style-type: none"> Mechanical change of acting direction for valves with 20 mm stroke 0 % stroke of the actuator corresponds to 100 % stroke of the valve To be fitted between valve and actuator 	V..F22..	25...80	-	-	✓	-	-	
			V..F32..	15...80						
			V..F42..	15...80						
			V..F53..	15...50						
			V..G41..	15...50						

Product number	Stock number	Description	Remark	
-	428488060	Sealing gland	When using valves of the V..F43.. or V..F53.. lines with a stem heating element and a medium temperature of below -5 °C, the stem sealing gland must be replaced. With the gland 428488060 the valve can be used with water, water with antifreeze and brines between -20 °C and + 150 °C.	

2.5.3 Adapters

Adapter type	Stock number	Bolts included	Description	VXF41..	Examples
ALF41B15	S55845-Z110	4x M12x90mm	Adapter for replacing 3-port valves VXF41.. by VXF43.. for DN \geq 65 and VXF53.. for DN 15...50. <ul style="list-style-type: none"> • Due to different dimensions of the bypass flange • Every valve to be replaced requires an adapter • Adapter is supplied with the required number and size of bolts and nuts as well as two suitable flat sealings 	DN 15	
ALF41B25	S55845-Z111	4x M12x90mm		DN 25	
ALF41B40	S55845-Z112	4x M16x90mm		DN 40	
ALF41B50	S55845-Z113	4x M16x90mm		DN 50	
ALF41B65	S55845-Z114	4x M16x90mm		DN 65	
ALF41B80	S55845-Z115	8x M16x110mm		DN 80	
ALF41B100	S55845-Z116	8x M16x110mm		DN 100	
ALF41B125	S55845-Z117	8x M16x110mm		DN 125	
ALF41B150	S55845-Z118	8x M20x110mm		DN 150	

2.5.4 Fittings

Product number	Stock number	Product number	Stock number	Description	VVG41..	Threaded connection			
						G [Inch]	Rp [Inch]		
ALG152	ALG152	ALG152B	S55846-Z100	Set of 2 fittings for 2-port valves, consisting of <ul style="list-style-type: none"> • 2 cap nuts • 2 inserts • 2 flat seals ALG..2B are fittings made from brass and for medium temperatures up to 100 °C	DN 15	G 1	Rp ½		
ALG202	ALG202	ALG202B	S55846-Z102		DN 20	G 1¼	Rp ¾		
ALG252	ALG252	ALG252B	S55846-Z104		DN 25	G 1½	Rp 1		
ALG322	ALG322	ALG322B	S55846-Z106		DN 32	G 2	Rp 1¼		
ALG402	ALG402	ALG402B	S55846-Z108		DN 40	G 2¼	Rp 1½		
ALG502	ALG502	ALG502B	S55846-Z110		DN 50	G 2¾	Rp 2		
						VXG41..			
ALG153	ALG153	ALG153B	S55846-Z101	Set of 3 fittings for 2-port valves, consisting of <ul style="list-style-type: none"> • 3 cap nuts • 3 inserts • 3 flat seals ALG..3B are fittings made from brass and for medium temperatures up to 100 °C	DN 15	G 1	Rp ½		
ALG203	ALG203	ALG203B	S55846-Z103		DN 20	G 1¼	Rp ¾		
ALG253	ALG253	ALG253B	S55846-Z105		DN 25	G 1½	Rp 1		
ALG323	ALG323	ALG323B	S55846-Z107		DN 32	G 2	Rp 1¼		
ALG403	ALG403	ALG403B	S55846-Z109		DN 40	G 2¼	Rp 1½		
ALG503	ALG503	ALG503B	S55846-Z111		DN 50	G 2¾	Rp 2		

Note

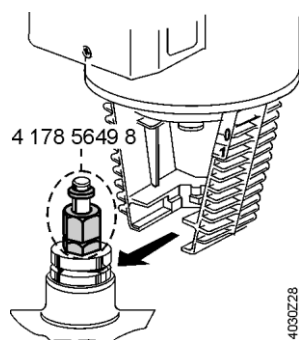
Fittings for drinking water applications according to DVGW, drinking water ordinance 2001, have to be purchased locally from specialized trade.

2.6 Product replacement

The valves covered by this document replace the valves of the VVF../VXF.. lines that have been produced by Siemens, Landis & Staefa and Landis & Gyr since 1974.

For most types of valves operating in the field, a one-to-one replacement is available.

This does not apply to a small number of special valves that were marketed in certain regions. If there is a need to replace such valves, please contact your Siemens branch office. In that case, it might be necessary to change the piping.



Stem coupling for SKC32../62/82.. (stock no. 4 178 5649 8)

Further use of actuators of the SKD32../60/62/82.., SKB32../60/62/82.., SQX31../61../81.., and SQX32../62../82.. lines is possible.

Actuators of the SKC32../62/82.. lines require a new stem coupling since the diameter of the new stem is only 10 mm. Stem couplings must be ordered as separate items (stock no. 4 178 5649 8).

If the valve to be replaced was driven by an actuator of the SKD31../61../81.., SKB31../61../81.. or SKC31../61../81.. lines, Siemens recommends to replace the actuator as well, the reason being the actuator's age.

The tables below list former valve types and their successors. There is also an online replacement guide "Old2New" available; for access, go to www.siemens.com/hit under "Old2New replacement guide".

2.6.1 2-port valves

2-port valves with flanged connections						Replacement				
Type						DN	Adapter	Stem coupling ¹⁾	Product number	DN
VVF21..	-	-	-	-	-	25...80	-	-	VVF22..	25...80
VVF21..	-	-	-	-	-	100	-	4 178 5649 8	VVF22..	100
VVF31..	k _{VS} - Werte 1.6, 2.5, 3, 4, 5, 6.3, 10, 12, 16, 19, 25, 40, 63, 100					15...80	-	-	VVF32..	15...80
VVF31..	k _{VS} - Werte 31, 49, 78								VVF42..	
VVF31..	k _{VS} - Werte 160, 250					100...150	-	4 178 5649 8	VVF32..	100...150
VVF31..	k _{VS} - Werte 125, 200, 300, 315								VVF42..	
VVF40..	-	-	-	-	-	15...80	-	-	VVF42..	15...80
VVF40..	-	-	-	-	-	100...150	-	4 178 5649 8	VVF42..	100...150
VVF41.49	VVF41.494	-	-	VVF41.495	-	50	-	-	VVF53.50.. ²⁾	50
VVF41.50	VVF41.504			VVF41.505		50	-	-	VVF53.50..	50
VVF41..	VVF41..4			VVF41..5		65...150	-	4 178 5649 8	VVF43..	65...150
VVF45.49	VVF45.494	-	-	-	-	50	-	4 178 5649 8	-	-
VVF45.50	VVF45.504					50	-	4 178 5649 8	VVF53.50	50
VVF45..	VVF45..4					65...150	-	4 178 5649 8	VVF43.. ³⁾	65...150
VVF52..	VVF52..A	VVF52..G	-	VVF52..M	-	15...40	-	-	VVF53..	15...40

¹⁾ Since the new valves use uniform stem couplings, valves driven by electrohydraulic actuators SKC.. require a new stem coupling

²⁾ Replacement valves are the same nominal size DN, but have different k_{VS} values. This must be taken into consideration when replacing a valve in the plant (stability, active stroke range)

³⁾ If differential pressures are high, VVF43..K can be used as a replacement

Note

When using valves of the V..F43.. or V..F53.. lines with a stem heating element and a medium temperature of below -5 °C, the stem sealing gland must be replaced. In that case, the sealing gland must be ordered also (stock number 4 284 8806 0).

Note

Valve line VVF45..

Valves of the VVF45.. line close with the pressure, which means that when used in combination with SKB.. or SKC.. actuators, very high closing pressures are permitted. If such closing pressures are indeed required, valves of the VVF43..K line should be used as a replacement

Note

Valve line VVF31.. from DN50

The follow-on series VVF32 supports only select k_{VS} values. For smaller k_{VS} values, it makes more sense to replace the VVF31.. valve with series VVF42..valves. The k_{VS} values for services VVF42.. must support the k_{VS} value for VVF31 valves. The valves series VVF31 and VVF42 are identical regarding face-to-face dimension, flange bolt circle and flange bolt dimensions.

2.6.2 3-port valves

3-port valves with flanged connections						Replacement			
Type					DN	Adapter	Stem coupling ¹⁾	Product number	DN
VXF21..	-	-	-	-	25...80	-	-	VXF22..	25...80
VXF21..	-	-	-	-	100	-	4 178 5649 8	VXF22..	100
VXF31..	k _{VS} - Werte 1.6, 2.5, 3, 4, 5, 6.3, 10, 12, 16, 19, 25, 40, 63, 100				15...80	-	-	VXF32..	15...80
VXF31..	k _{VS} - Werte 31, 49, 78							VXF42..	
VXF31..	k _{VS} - Werte 160, 250				100...150	-	4 178 5649 8	VXF32..	100...150
VXF31..	k _{VS} - Werte 125, 200, 300, 315							VXF42..	
VXF40..	-	-	-	-	15...80	-	-	VXF42..	15...80
VXF40..	-	-	-	-	100...150	-	4 178 5649 8	VXF42..	100...150
VXF41..	VXF41..4		VXF41..5		15	ALF41B15	-	VXF53..	15
					25	ALF41B25	-		25
					40	ALF41B40	-		40
VXF41.49..	VXF41.494..		VXF41.495..		50	ALF41B50	-	VXF53.50.. ²⁾	50
VXF41.50..	VXF41.504..		VXF41.505..			ALF41B50	-	VXF53.50..	
VXF41..	VXF41..4		VXF41..5		65	ALF41B65	4 178 5649 8 ³⁾	VXF43..	65
					80	ALF41B80	4 178 5649 8 ³⁾		80
					100	ALF41B100	4 178 5649 8 ³⁾		100
					125	ALF41B125	4 178 5649 8 ³⁾		125
					150	ALF41B150	4 178 5649 8 ³⁾		150

¹⁾ Since the new valves use uniform stem couplings, valves driven by electrohydraulic actuators SKC.. require a new stem coupling

²⁾ Replacement valves are the same nominal size DN, but have different k_{VS} values. This must be taken into consideration when replacing a valve in the plant (stability, active stroke range)

³⁾ ALF41B65 .. 150 include the 10 mm stem washer to connect the existing SKC with the ne VXF43.. valves.


Note When using valves of the V..F43.. or V..F53.. lines with a stem heating element and the medium temperature is below -5 °C, the stem sealing gland must be replaced. In that case, the sealing gland must be ordered also (stock number 4 284 8806 0).

Notes When replacing old valves by new valves, the installation might have to be modified.

Valve lines
VXF53../VXF43..
The dimension of the bypass is smaller than that of the valves of the former VXF41.. line. This means that a one-to-one replacement of the VXF41.. valves requires an ALF41B.. adapter. This adapter compensates for the difference in dimensions, thus facilitating replacement of the valve without having to modify the piping. The washer to fit the existing SKC actuator to the new valve with 10 mm stem diameter is added to the ALF41B65 to ..150.

Notes
Valve lines VXF31..
from DN50
The follow-on series VXF32 supports only select k_{VS} values. For smaller k_{VS} values, it makes more sense to replace the VXF31.. valve with series VXF42.. valves. The k_{VS} values for services VXF42.. must support the k_{VS} value for VXF31 valves. The valves series VXF31 and VXF42 are identical regarding face-to-face dimension, flange bolt circle and flange bolt dimensions.

2.6.3 Accessories

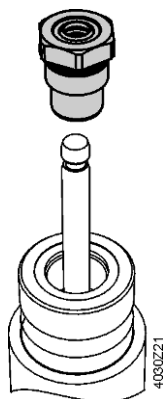
Product number	Stock number	Description	Note	
ASZ6.5 Not available for order	ASZ6.5 Not available for order	Stem heating element	Required for medium temperatures < 0 °C	

Note

The ASZ6.5 stem heating element was compatible with actuators SKB..., SKC..., SKD..., and SQX... Always replace the installed steam heating element with the ASZ6.6 (S55845-Z108) as needed. However, in the event the actuator needs replacement as well when replacing the valve, ASZ6.5 stem heating elements must be replaced by ASZ6.6 on SAX series valves.

2.7 Spare parts

Stem sealing gland



Product number	DN	Stock number	Comments
2-port valves (Standard)			
VVF22..	DN 25...100	4 284 8806 0	-
VVF32..	DN 15...150	4 284 8806 0	-
VVF42..	DN 15...150	4 284 8806 0	-
VVG41..	DN 15...50	4 284 8874 0	-
VVI41..	DN 15...50	4 284 8874 0	-
3-port valves (Standard)			
VXF22..	DN 25...100	4 284 8806 0	-
VXF32..	DN 15...150	4 284 8806 0	-
VXF42..	DN 15...150	4 284 8806 0	-
VXG41..	DN 15...50	4 284 8874 0	-
VXG41..01	DN 15...50	74 284 0047 0	-
VXI41..	DN 15...50	4 284 8874 0	-
2-port valves (high-performance)			
VVF53..	DN 15...150	74 284 0061 0	-
		4 284 8806 0	For medium temperatures below -5 °C
VVF43..	DN 65...150	74 284 0061 0	-
		4 284 8806 0	For medium temperatures below -5 °C
3-port valves (high-performance)			
VXF53..	DN 15...150	74 284 0061 0	-
		4 284 8806 0	For medium temperatures below -5 °C
VXF43..	DN 65...150	74 284 0061 0	-
		4 284 8806 0	For medium temperatures below -5 °C

2-port valves VVF..
Spare parts for expired
product lines

Product number	DN	Stock number	Stem diameter	Remarks
2-port valves (Standard)				
VVF21..	DN 25...80	4 284 8806 0	10 mm	-
	DN 100	4 679 5629 0	14 mm	Only for valves since production year 1980
VVF31..	DN 15...80	4 284 8806 0	10 mm	-
	DN 100...150	4 679 5629 0	14 mm	Only for valves since production year 1980
VVF40..	DN 15...80	4 284 8806 0	10 mm	-
	DN 100...150	4 679 5629 0	14 mm	-
2-port valves (high-performance)				
VVF41..	DN 50...150	4 679 5629 0	14 mm	Only for valves since production year 1982
VVF41..4		4 679 5630 0	14 mm	<ul style="list-style-type: none"> PTFE sleeve For temperatures ≤ 180 °C
VVF41..5		4 284 9540 0	14 mm	<ul style="list-style-type: none"> PTFE sleeve Silicone-free version For temperatures ≤ 180 °C
VVF45..	DN 50...150	4 679 5629 0	14 mm	-
VVF45..4		4 679 5630 0	14 mm	<ul style="list-style-type: none"> PTFE sleeve For temperatures ≤ 180 °C
VVF52..	DN 15...40	4 284 8806 0	10 mm	-
VVF52..A		4 284 8829 0	10 mm	<ul style="list-style-type: none"> PTFE sleeve For temperatures ≤ 180 °C
VVF52..G		4 284 9538 0	10 mm	<ul style="list-style-type: none"> PTFE sleeve Silicone-free version For temperatures ≤ 180 °C
VVF52..M				

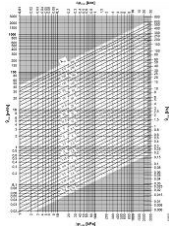

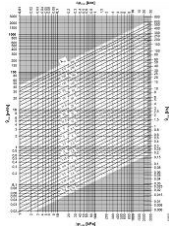

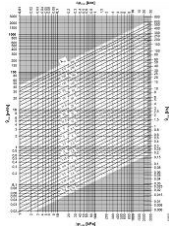

3-port valves VXF..
Spare parts for expired
product lines

Product number	DN	Stock number	Stem diameter	Remarks
3-port valves (Standard)				
VXF21..	DN 25...80	4 284 8806 0	10 mm	-
	DN 100	4 679 5629 0	14 mm	Only for valves since production year 1980
VXF31..	DN 15...80	4 284 8806 0	10 mm	-
	DN 100...150	4 679 5629 0	14 mm	Only for valves since production year 1980
VXF40..	DN 15...80	4 284 8806 0	10 mm	-
	DN 100...150	4 679 5629 0	14 mm	-
3-port valves (high-performance)				
VXF41..	DN 15...40	4 284 8806 0	10 mm	-
VXF41..4		4 284 8829 0	10 mm	<ul style="list-style-type: none"> PTFE sleeve For temperatures ≤ 180 °C
VXF41..5		4 284 9538 0	10 mm	<ul style="list-style-type: none"> PTFE sleeve Silicone-free version For temperatures ≤ 180 °C
VXF41..	DN 50...150	4 679 5629 0	14 mm	Only for valves since production year 1980
VXF41..4		4 679 5630 0	14 mm	<ul style="list-style-type: none"> PTFE sleeve For temperatures ≤ 180 °C
VXF41..5		4 284 9540 0	14 mm	<ul style="list-style-type: none"> PTFE sleeve Silicone-free version For temperatures ≤ 180 °C

2.8 Valve sizing for fluids (water, heat transfer oil)

2.8.1 Procedure for valve sizing

Essential values and formulas required for valve sizing:

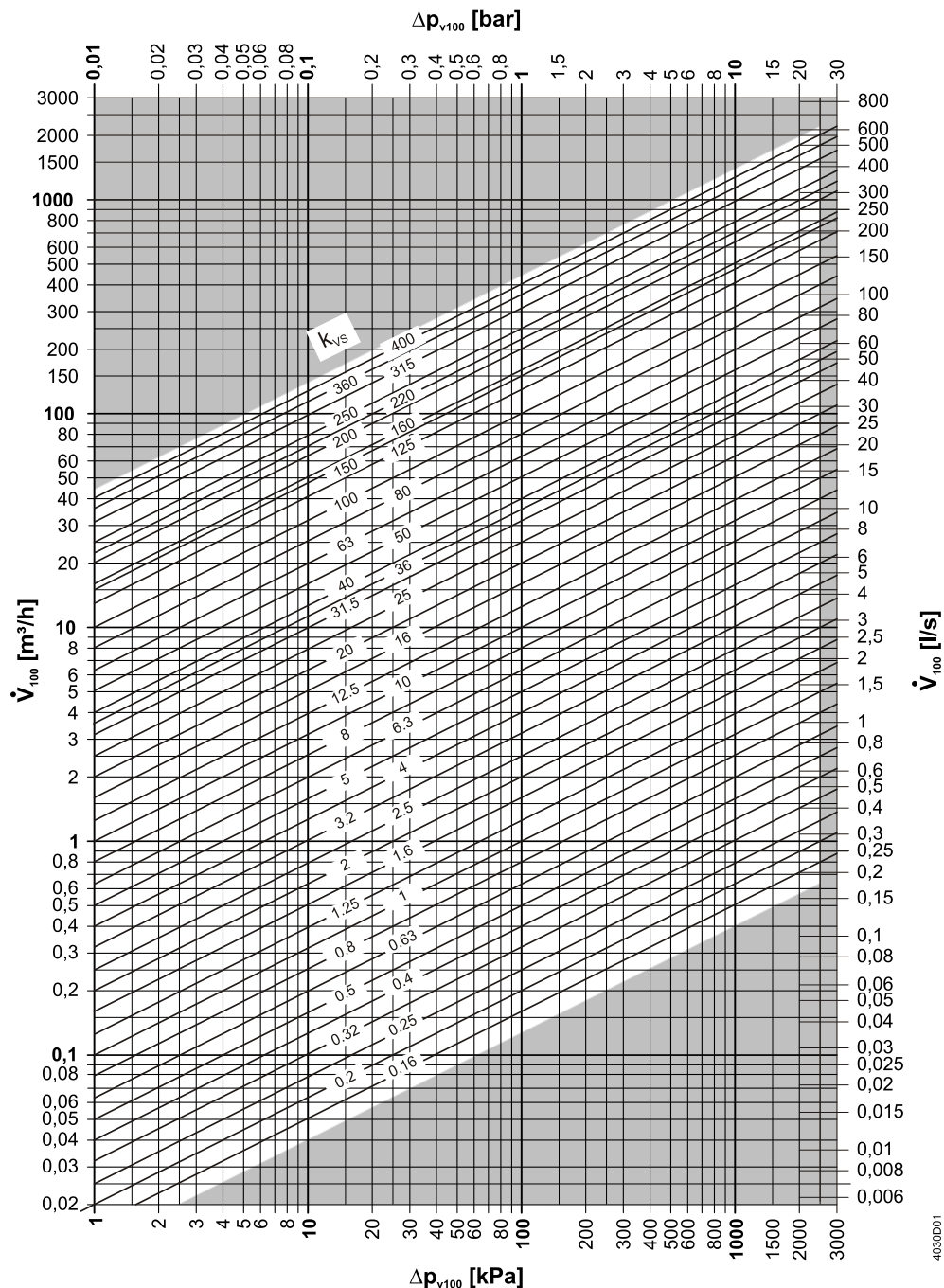
Sizing and selection of valves and actuators						
1	Determine the basic hydraulic circuit	-				
2	Determine Δp_{VR} or Δp_{MV}	<p>One of the factors that determines control stability is the valve authority P_V. It is determined depending on the type of header and the hydraulic circuit</p> <ul style="list-style-type: none"> Header with pressure and variable volumetric flow Header with pressure and constant volumetric flow, or Header with low differential pressure and variable volumetric flow <p>Continue with Δp_{VR} Continue with Δp_{MV}</p>				
3	Determine Δp_{V100}	$\Delta p_{V100} \geq \frac{\Delta p_{VR}}{2}$ $\Delta p_{V100} \geq \Delta p_{MV}$				
4	Determine the volumetric flow V_{100}	<p>Determine V_{100} depending on the type of medium</p> <p>Water without antifreeze: $\dot{V}_{100} = \frac{\dot{Q}_{100}}{1.163 \cdot \Delta T}$</p> <p>Water with antifreeze, heat transfer oil: $\dot{V}_{100} = \frac{\dot{Q}_{100} \cdot 3600}{c \cdot \rho \cdot \Delta T}$</p> <p>For steam, see "2.9 Sizing valves for steam", page 40</p>				
5	Determine the k_{VS} value	<p>There are different ways to determine the k_{VS} value:</p> <table border="1"> <tr> <td> <p>Flow chart</p>  </td> <td> <p>By way of calculation</p> $k_V = \frac{\dot{V}_{100}}{\sqrt{\frac{\Delta p_{V100}}{100}}}$ <p>Determine the k_{VS} value according to: $0.85 \cdot k_V - \text{value} < k_{VS} - \text{value}$ ¹⁾ or within the following band: $0.74 \cdot k_{VS} - \text{value} < k_V < 1.175 \cdot k_{VS} - \text{value}$</p> </td> <td> <p>HIT sizing and selection: www.siemens.com/hit</p> </td> <td> <p>Valve slide rule</p>  </td> </tr> </table> <p>This procedure shows the mathematical approach. The following examples make use of the flow chart and show the way of calculation</p>	<p>Flow chart</p> 	<p>By way of calculation</p> $k_V = \frac{\dot{V}_{100}}{\sqrt{\frac{\Delta p_{V100}}{100}}}$ <p>Determine the k_{VS} value according to: $0.85 \cdot k_V - \text{value} < k_{VS} - \text{value}$ ¹⁾ or within the following band: $0.74 \cdot k_{VS} - \text{value} < k_V < 1.175 \cdot k_{VS} - \text{value}$</p>	<p>HIT sizing and selection: www.siemens.com/hit</p>	<p>Valve slide rule</p> 
<p>Flow chart</p> 	<p>By way of calculation</p> $k_V = \frac{\dot{V}_{100}}{\sqrt{\frac{\Delta p_{V100}}{100}}}$ <p>Determine the k_{VS} value according to: $0.85 \cdot k_V - \text{value} < k_{VS} - \text{value}$ ¹⁾ or within the following band: $0.74 \cdot k_{VS} - \text{value} < k_V < 1.175 \cdot k_{VS} - \text{value}$</p>	<p>HIT sizing and selection: www.siemens.com/hit</p>	<p>Valve slide rule</p> 			
6	Check the resulting differential pressure Δp_{V100}	<p>The resulting differential pressure Δp_{V100} is used for calculating the valve authority P_V:</p> $\Delta p_{V100} = 100 \cdot \left(\frac{\dot{V}_{100}}{k_{VS}} \right)^2$				
7	Select a suitable line of valves	<p>Select the type of valve (2-port, 3-port, or 3-port valve with bypass):</p> <ul style="list-style-type: none"> Type of connection (flanged, externally or internally threaded, soldered) PN class Nominal size DN Maximum or minimum medium temperature Type of medium 				
8	Check the valve authority P_V (control stability)	<p>Check P_V with the resulting differential pressure Δp_{V100}:</p> <ul style="list-style-type: none"> Header with pressure and variable volumetric flow Header with pressure and constant volumetric flow, or Header with low differential pressure and variable volumetric flow $P_V = \frac{\Delta p_{V100}}{\Delta p_{VR}} \quad \quad P_V = \frac{\Delta p_{V100}}{\Delta p_{V100} + \Delta p_{MV}}$				
9	Select the actuator	<p>Select the actuator according to the following criteria:</p> <ul style="list-style-type: none"> Operating voltage Positioning signal Positioning time Spring return function Auxiliary functions 				
10	Check the working ranges	<p>Differential pressure $\Delta p_{max} > \Delta p_{V0}$</p> <p>Closing pressure $\Delta p_s > H_0$</p>				
11	Valve and actuator	Write down product and stock number of the selected valve and actuator				

¹⁾ Experience shows that the selected k_{VS} value is usually too high. To the benefit of a higher valve authority Siemens recommends to check sensibly whether a valve with a k_{VS} value of approx. 85 % of the calculated k_{VS} value is possible. If this is not possible, the second rule applies.

2.8.2 Flow chart

Fluids

Kinematic viscosity $\nu < 10 \text{ mm}^2/\text{s}$



2.8.3 Impact of fluid properties on valve sizing

Valves are sized based on the volumetric flow passing through them. The most important characteristic of a valve is its k_{vs} value. Since this value is determined with water at a temperature of $5 \dots 30 \text{ }^\circ\text{C}$ and a differential pressure Δp of 100 kPa (1 bar), additional influencing factors must be taken into consideration if the properties of the medium passing through the valve are different.

The following properties of a medium affect valve sizing:

- The density ρ and the specific heat capacity c have a direct impact on the volumetric flow, which transfers the required amount of heat or cooling energy
- The kinematic viscosity ν influences the flow conditions (laminar or turbulent) in the valve and thus the differential pressure Δp at a given volumetric flow V

2.8.3.1 Density ρ

The amount of heat Q carried by a fluid depends on the available mass flow m , the specific heat capacity c , and the temperature spread ΔT :

$$\dot{Q} = \dot{m} \cdot c \cdot \Delta T$$

In the HVAC field, calculations are usually based on the volumetric flow V , resulting from the available mass flow m and the density ρ :

$$\dot{Q} = \dot{V} \cdot \rho \cdot c \cdot \Delta T$$

Within the temperature range normally used in the HVAC field, the density ρ of water is assumed to be about 1000 kg/m^3 and the specific heat capacity c $4.19 \text{ kJ/(kg}\cdot\text{K)}$. This makes it possible to apply a simplified formula with a constant of $1.163 \text{ kWh/(m}^3\cdot\text{K)}$ for calculating the volumetric flow V in m^3/h :

$$\dot{V} = \frac{\dot{Q}}{1.163 \cdot \Delta T}$$

The rated capacity Q_{100} of a plant with the valve fully open is calculated with the following formula:

$$\dot{V}_{100} = \frac{\dot{Q}_{100}}{1.163 \cdot \Delta T}$$

For watery solutions, such as mixtures of water and antifreeze, or other fluids like heat transfer oils, refer to the chapters below.

2.8.3.2 Specific heat capacity c

The amount of heat Q carried by a fluid depends on the available mass flow m , the specific heat capacity c , and the temperature spread ΔT .

Within the temperature range normally used in the HVAC field, the specific heat capacity c of water changes only slightly. Therefore, the approximate value used for the specific heat capacity c is $4.19 \text{ kJ/(kg}\cdot\text{K)}$. This makes it possible to apply a simplified formula with a constant of $1.163 \text{ kWh/(m}^3\cdot\text{K)}$ for calculating the volumetric flow V in m^3/h :

$$\dot{V} = \frac{\dot{Q}}{1.163 \cdot \Delta T}$$

If watery solutions, such as mixtures of water and antifreeze, or other fluids like heat transfer oils are used for the transmission of heat, the required volumetric flow V is to be calculated with the density ρ and the specific heat capacity c at the operating temperature:

$$\dot{V} = \frac{\dot{Q}}{\rho \cdot c \cdot \Delta T}$$

The specific heat capacity of fluids is specified in trade literature. For mixtures, the specific heat capacity c is calculated on the basis of the mixture's mass proportions m_1 and m_2 :

$$c_{\text{Gemisch}} = \frac{m_1 \cdot c_1 + m_2 \cdot c_2}{m_1 + m_2}$$

In the case of heating applications, the specific heat capacity c_1 or c_2 at the highest temperature must be used, and in the case of cooling applications that at the lowest temperature.

2.8.3.3 Kinematic viscosity ν

The kinematic viscosity ν affects the type of flow (laminar or turbulent) and thus the friction losses inside the valve. It has a direct impact on the differential pressure at a given volumetric flow.

The kinematic viscosity ν is specified either in mm^2/s or centistokes (cSt):
 $1 \text{ cSt} = 10^{-6} \text{ m}^2/\text{s} = 1 \text{ mm}^2/\text{s}$

Water at a temperature of between 5 and 30 °C is used to determine the k_{vs} value as a comparison value. Within this temperature range, water has a kinematic viscosity of 1.6 to 0.8 mm^2/s . The flow inside the valve is turbulent.

When sizing valves for media with other kinematic viscosities ν , a correction must be made. Up to a kinematic viscosity ν of less than 10 mm^2/s , the impact is negligible since it is smaller than the permissible tolerance of the k_{vs} value (+/- 10 %).

In general practice, the correction is made by applying a correction factor F_R , which gives consideration to the different flow and friction conditions when calculating the k_{vs} value.

F_R is the factor used for the impact of the valve's Reynolds number. It must be applied when there is nonturbulent flow in the valve, when the differential pressure is low, for example, in the case of high-viscosity fluids, very low flow coefficients, or combinations of them. It can be determined by way of experiment.

F_R = flow coefficient for nonturbulent flow conditions divided by the flow coefficient ascertained under the same plant conditions for turbulent flow
 (EN 60534-2-1[1998])

k_v value under nonturbulent flow conditions

$$k_v = \frac{\dot{V}_{100}}{F_R} \cdot \frac{1}{\sqrt{\frac{\Delta p_{100}}{100}}}$$

Correction factor F_R for different kinematic viscosities ν

Kinematic viscosity [mm ² /s]	Correction factor F_R	Kinematic viscosity [mm ² /s]	Correction factor F_R
2000	0.52	60	0.73
1500	0.53	40	0.77
1000	0.55	30	0.8
800	0.56	25	0.82
600	0.57	20	0.83
400	0.60	15	0.86
300	0.61	10	0.90
250	0.62	8	(0.93) ¹⁾
200	0.64	6	(0.94) ¹⁾
150	0.70	4	(0.95) ¹⁾
100	0.69	3	(0.97) ¹⁾
80	0.70		

¹⁾ Impact in the case of kinematic viscosities up to 10 mm²/s is negligible

2.8.4 Influencing factors with selected groups of fluids

Media properties to be considered for a few selected groups of fluids:

	Density ρ	Specific heat capacity c	Kinematic viscosity ν
Formula	$\dot{V}_{100} = \frac{\dot{Q}_{100} \cdot 3600}{c \cdot \rho \cdot \Delta T}$	$\dot{V}_{100} = \frac{\dot{Q}_{100} \cdot 3600}{c \cdot \rho \cdot \Delta T}$	$k_V = \frac{\dot{V}_{100}}{F_R} \cdot \frac{1}{\sqrt{\frac{\Delta p_{100}}{100}}}$
Group of fluids			
Water	No	No	No ($F_R = 1$)
Water with antifreeze	Yes	Yes	Yes
Heat transfer oils	Yes	Yes	Yes
Brines	Yes	Yes	Yes

Notes on water and water with antifreeze

The HVAC Integrated Tool (HIT) supports sizing and selection of valves for water and water with antifreeze (www.siemens.com/hit).

Notes on heat transfer oils and brines

When sizing valves for use with heat transfer oils or brines, the medium properties specified by the suppliers must be taken into account:

- Specific heat capacity c
- Kinematic viscosity ν
- Specific density ρ
- During the heating up phase, the kinematic viscosity ν can reach a high level while the volumetric flow V and thus the available amount of heat $Q_{\text{heating up phase}}$ are much smaller than planned. This must be taken into account during the planning phase and when sizing the valves, see "2.10.3 Example for heat transfer oil", page 45.

2.8.5 Rangeability S_V , minimum controllable output Q_{\min}

When sizing and selecting a valve, it must be ensured that – in the controlled operating state – the output does not drop below the minimum controllable output Q_{\min} . Otherwise, the controlling element only regulates in on/off mode within the range of the initial flow surge. On/off mode reduces the plant's energy efficiency and adversely affects the controlling element's life.

The rangeability S_V is an important characteristic used for assessing the controllable range of a controlling element.

The smallest volumetric flow k_{vr} that can be controlled is the volumetric flow passing through the valve when it opens. Output Q_{\min} is the smallest output of a consumer (e.g. of a radiator) that can be controlled in modulating mode.

$$S_V = \frac{k_{vs}}{k_{vr}}$$

For more detailed information on the subject, refer to the brochure "Hydraulics in building systems" (ordering no. 0-91917-en).

2.9 Sizing valves for steam

Since steam is compressible, valve sizing for steam must be based on other criteria. The most important characteristic of compressible flow is that the speed of flow in the throttling section can only increase up to the speed of sound. When this limit is reached, the speed of flow and thus the volumetric flow, or the steam mass flow, no longer increases, even if the differential pressure Δp rises. To ensure good controllability and favorably priced valve selection, it is advisable to have the differential pressure in normal operation as close as possible to the critical pressure ratio.

Before starting valve sizing, the plant-related process parameters and the prevailing operating state must be defined:

- Absolute steam pressure [kPa abs], [bar abs]
- Temperature of saturated or superheated steam [°C]
- Differential pressure Δp_{\max} in normal operation

The dryness of saturated steam at the valve's inlet must be > 0.98 .

During plant startup or shutdown, supercritical pressure conditions can occur:

- In terms of potential damage to the valve, a subcritical pressure ratio is far less crucial since the speed of flow lies below the speed of sound, material abrasion is reduced, and the noise level is lower

Sizing procedure

1. Calculate the steam mass flow m based on the amount of energy required Q_{100} , the steam pressure, and the steam temperature.
2. Determine whether the pressure ratio is in the sub- or supercritical range.
3. Determine the k_{vs} value based on the steam mass flow and the steam pressure.

Steam mass flow	$\dot{m} = \frac{Q_{100} \cdot 3600}{r_{p_1}}$	Pressure ratio =	$\frac{p_1 - p_3}{p_1} \cdot 100\%$
-----------------	--	------------------	-------------------------------------

Calculation of k_{vs} value for steam

Subcritical range

$$\frac{p_1 - p_3}{p_1} \cdot 100 \% < 42 \%$$

Pressure ratio < 42 % subcritical

$$k_{vs} = 4.4 \cdot \frac{\dot{m}}{\sqrt{p_3 \cdot (p_1 - p_3)}} \cdot k$$

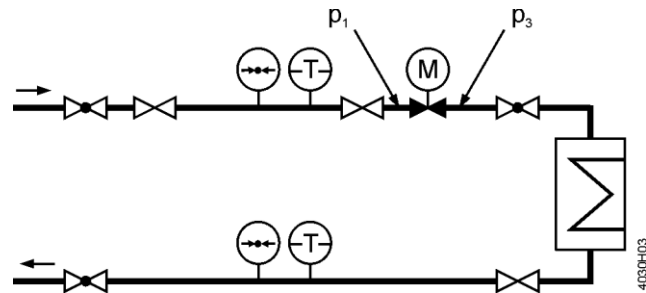
- Q_{100} = rated capacity in kW
- r_{p1} = specific heat capacity of steam in kJ/kgK
- p_1 = absolute pressure at the valve inlet in kPa (prepressure)
- p_3 = absolute pressure at the valve outlet in kPa
- \dot{m} = steam mass flow in kg/h
- k = factor for superheating the steam = $1 + 0.0012 \times \Delta T$ (for saturated steam, $k = 1$)
- ΔT = temperature spread in K of saturated steam and superheated steam

Supercritical range

$$\frac{p_1 - p_3}{p_1} \cdot 100 \% \geq 42 \%$$

Pressure ratio ≥ 42 % supercritical (not recommended)

$$k_{vs} = 8.8 \cdot \frac{\dot{m}}{p_1} \cdot k$$



Note The level of absolute pressure p_1 at the valve inlet must be at least such that the absolute pressure p_3 at the valve outlet is higher than the atmospheric pressure.

Notes on the supercritical range

When there is a pressure ratio $(p_1 - p_3) / p_1 > 0.42$, the flow passing through the narrowest section of the valve reaches the speed of sound. This can lead to higher noise levels. A throttling system operating at a lower noise level (multistage pressure reduction, damping throttle by the outlet) alleviates the problem.

Subcritical < 42 %

- Steam-controlled heat transfer medium without condensation
- Shutoff valve on the steam side of condensation-controlled heat transfer media

Supercritical ≥ 42 %

- Steam humidifier
- Steam-controlled heat transfer medium with condensation in the heat exchanger

Recommendation for differential pressure

Δp_{max}

For saturated and superheated steam, the differential pressure Δp_{max} across the valve should be as close as possible to the critical pressure ratio.

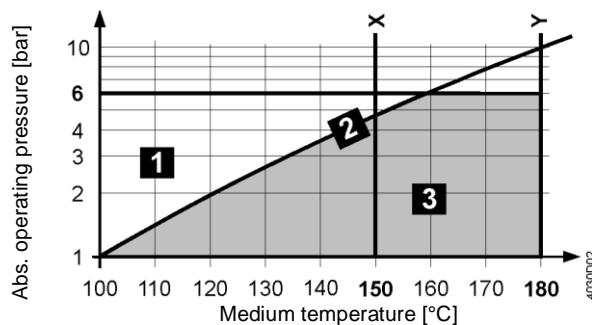


Chart example: The chart of the selected valve must be observed X and Y: Suitable actuators, depending on the 2-port valve

1	Water	-
2	Wet steam	To be avoided
3	Saturated steam Superheated steam	Permissible operating range

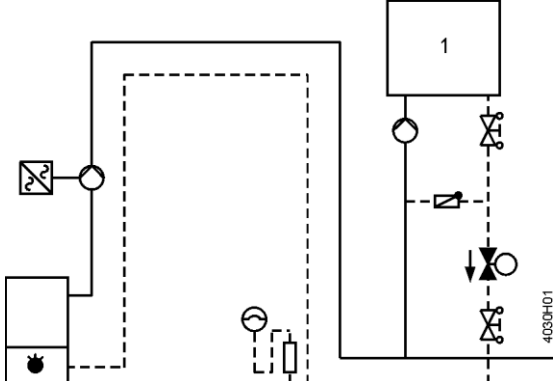
Water vapor table

Water vapor table for the saturated state (pressure table)

Pressure		Temperature	Spec. volume water	Spec. volume steam	Density steam	Enthalpy water	Enthalpy steam	Heat of vaporization
p	p	T	V'	V''	ρ''	h'	h''	r
[kPa]	[bar]	[°C]	[dm ³ /kg]	[m ³ /kg]	[kg/m ³]	[kJ/kg]	[kJ/kg]	[kJ/kg]
1	0.010	6.9808	1.0001	129.20	0.007739	29.34	2514.1	2485.0
2	0.020	17.513	1.0012	67.01	0.01492	73.46	2533.6	2460.2
3	0.030	24.100	1.0027	45.67	0.02190	101.00	2545.6	2444.6
4	0.040	28.983	1.0040	34.80	0.02873	121.41	2554.5	2433.1
5	0.050	32.898	1.0052	28.19	0.03547	137.77	2561.6	2423.8
6	0.060	36.183	1.0064	23.74	0.04212	151.50	2567.5	2416.0
7	0.070	39.025	1.0074	20.53	0.04871	163.38	2572.6	2409.2
8	0.080	41.534	1.0084	18.10	0.05523	173.86	2577.1	2403.2
9	0.090	43.787	1.0094	16.20	0.06171	183.28	2581.1	2397.9
10	0.10	45.833	1.0102	14.67	0.06814	191.83	2584.8	2392.9
20	0.20	60.086	1.0172	7.650	0.1307	251.45	2609.9	2358.4
30	0.30	69.124	1.0223	5.229	0.1912	289.30	2625.4	2336.1
40	0.40	75.886	1.0265	3.993	0.2504	317.65	2636.9	2319.2
50	0.50	81.345	1.0301	3.240	0.3086	340.56	2646.0	2305.4
60	0.60	85.954	1.0333	2.732	0.3661	359.93	2653.6	2293.6
70	0.70	89.959	1.0361	2.365	0.4229	376.77	2660.1	2283.3
80	0.80	93.512	1.0387	2.087	0.4792	391.72	2665.8	2274.0
90	0.90	96.713	1.0412	1.869	0.5350	405.21	2670.9	2265.6
100	1.0	99.632	1.0434	1.694	0.5904	417.51	2675.4	2257.9
150	1.5	111.37	1.0530	1.159	0.8628	467.13	2693.4	2226.2
200	2.0	120.23	1.0608	0.8854	1.129	504.70	2706.3	2201.6
250	2.5	127.43	1.0675	0.7184	1.392	535.34	2716.4	2181.0
300	3.0	133.54	1.0735	0.6056	1.651	561.43	2724.7	2163.2
350	3.5	138.87	1.0789	0.5240	1.908	584.27	2731.6	2147.4
400	4.0	143.62	1.0839	0.4622	2.163	604.67	2737.6	2133.0
450	4.5	147.92	1.0885	0.4138	2.417	623.16	2742.9	2119.7
500	5.0	151.84	1.0928	0.3747	2.669	640.12	2747.5	2107.4
600	6.0	158.84	1.1009	0.3155	3.170	670.42	2755.5	2085.0
700	7.0	164.96	1.1082	0.2727	3.667	697.06	2762.0	2064.9
800	8.0	170.41	1.1150	0.2403	4.162	720.94	2767.5	2046.5
900	9.0	175.36	1.1213	0.2148	4.655	742.64	2772.1	2029.5
1'000	10	179.88	1.1274	0.1943	5.147	762.61	2776.2	2013.6
1'100	11	184.07	1.1331	0.1774	5.637	781.13	2779.7	1998.5
1'200	12	187.96	1.1386	0.1632	6.127	798.43	2782.7	1984.3
1'300	13	191.61	1.1438	0.1511	6.617	814.70	2785.4	1970.7
1'400	14	195.04	1.1489	0.1407	7.106	830.08	2787.8	1957.7
1'500	15	198.29	1.1539	0.1317	7.596	844.67	2798.9	1945.2
1'600	16	201.37	1.1586	0.1237	8.085	858.56	2791.7	1933.2
1'700	17	204.31	1.1633	0.1166	8.575	871.84	2793.4	1921.5
1'800	18	207.11	1.1678	0.1103	9.065	884.58	2794.8	1910.3
1'900	19	209.80	1.1723	0.1047	9.555	896.81	2796.1	1899.3
2'000	20	212.37	1.1766	0.09954	10.05	908.59	2797.2	1888.6
2'500	25	223.94	1.1972	0.07991	12.51	961.96	2800.9	1839.0
3'000	30	233.84	1.2163	0.06663	15.01	1008.4	2802.3	1793.9
4'000	40	250.33	1.2521	0.04975	10.10	1087.4	2800.3	1712.9
5'000	50	263.91	1.2858	0.03743	25.36	1154.5	2794.2	1639.7
6'000	60	275.55	1.3187	0.03244	30.83	1213.7	2785.0	1571.3
7'000	70	285.79	1.3513	0.02737	36.53	1267.4	2773.5	1506.0
8'000	80	294.97	1.3842	0.02353	42.51	1317.1	2759.9	1442.8
9'000	90	303.31	1.4179	0.02050	48.79	1363.7	2744.6	1380.9
10'000	100	310.96	1.4526	0.01804	55.43	1408.0	2727.7	1319.7
11'000	110	318.05	1.4887	0.01601	62.48	1450.6	2729.3	1258.7
12'000	120	324.65	1.5268	0.01428	70.01	1491.8	2689.2	1197.4
13'000	130	330.83	1.5672	0.01280	78.14	1532.0	2667.0	1135.0
14'000	140	336.64	1.6106	0.01150	86.99	1571.6	2642.4	1070.7
15'000	150	342.13	1.6579	0.01034	96.71	1611.0	2615.0	1004.0
20'000	200	365.70	2.0370	0.005877	170.2	1826.5	2418.4	591.9
22'000	220	373.69	2.6714	0.003728	268.3	2011.1	2195.6	184.5
22'120	221.2	374.15	3.17	0.00317	315.5	2107.4	2107.4	0

2.10 Calculation examples for water, heat transfer oil and steam

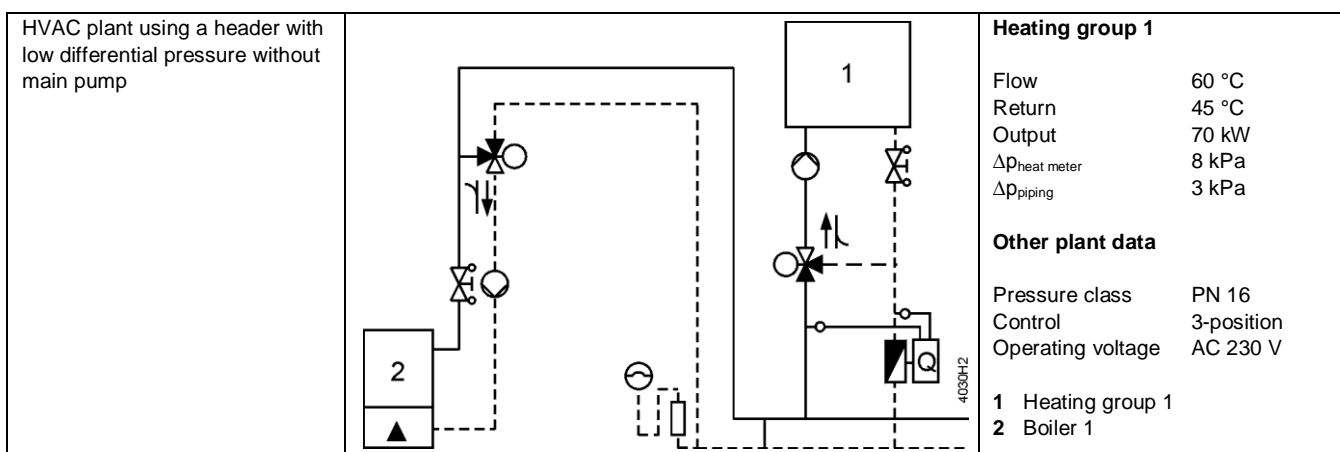
2.10.1 Example for water: Heater with pressure and variable volumetric flow

<p>HVAC plant using a header with pressure, header with variable volumetric flow</p>		<p>Air heating coil 1</p> <table border="0"> <tr><td>Flow</td><td>60 °C</td></tr> <tr><td>Return</td><td>40 °C</td></tr> <tr><td>Supply air</td><td>20 °C</td></tr> <tr><td>Outside air</td><td>10 °C</td></tr> <tr><td>Output</td><td>55 kW</td></tr> <tr><td>Δp_{VR}</td><td>34 kPa</td></tr> <tr><td>Δp_{piping}</td><td>11 kPa</td></tr> </table> <p>Other plant data</p> <table border="0"> <tr><td>Pressure class</td><td>PN 16</td></tr> <tr><td>Control</td><td>DC 0...10 V</td></tr> <tr><td>Operating voltage</td><td>AC 24 V</td></tr> </table>	Flow	60 °C	Return	40 °C	Supply air	20 °C	Outside air	10 °C	Output	55 kW	Δp_{VR}	34 kPa	Δp_{piping}	11 kPa	Pressure class	PN 16	Control	DC 0...10 V	Operating voltage	AC 24 V
Flow	60 °C																					
Return	40 °C																					
Supply air	20 °C																					
Outside air	10 °C																					
Output	55 kW																					
Δp_{VR}	34 kPa																					
Δp_{piping}	11 kPa																					
Pressure class	PN 16																					
Control	DC 0...10 V																					
Operating voltage	AC 24 V																					

1	Determine the basic hydraulic circuit	Injection circuit with 2-port valve
2	Determine Δp_{VR} or Δp_{MV}	With pressure and variable volumetric flow $\rightarrow \Delta p_{VR}$ $\Delta p_{VR} = 34 \text{ kPa}$
3	Determine Δp_{V100}	With pressure and variable volumetric flow $\rightarrow \Delta p_{V100} \geq \frac{\Delta p_{VR}}{2}$ $\Delta p_{V100} = 17 \text{ kPa}$
4	Determine the volumetric flow \dot{V}_{100}	$\dot{V}_{100} = \frac{Q_{100}}{1.163 \cdot \Delta T} = \frac{55 \text{ kW}}{1.163 \cdot (60^\circ\text{C} - 40^\circ\text{C})} = 2.36 \text{ m}^3/\text{h}$
5	Determine the k_{vs} value	<p><u>Flow chart</u></p> <p>Use the flow chart to determine the k_{vs} value:</p> <ol style="list-style-type: none"> k_{vs} value: $5 \text{ m}^3/\text{h}$ k_{vs} value: $6.3 \text{ m}^3/\text{h}$ <p><u>By way of calculation</u></p> $k_v = \frac{\dot{V}_{100}}{\sqrt{\frac{\Delta p_{V100}}{100}}} = \frac{2.36 \text{ m}^3/\text{h}}{\sqrt{\frac{17 \text{ kPa}}{100}}} = 5.7 \text{ m}^3/\text{h}$ <p>k_{vs} value $\geq 0.85 \cdot 5.7 \text{ m}^3/\text{h} = 4.8 \text{ m}^3/\text{h} \rightarrow k_{vs}$ value = $5 \text{ m}^3/\text{h}$ or $6.3 \text{ m}^3/\text{h}$</p> <ol style="list-style-type: none"> k_{vs} value: $5 \text{ m}^3/\text{h}$ k_{vs} value: $6.3 \text{ m}^3/\text{h}$
6	Check the resulting differential pressure Δp_{V100}	<p>First k_{vs} value: $\Delta p_{V100} = 100 \cdot \left(\frac{\dot{V}_{100}}{k_{vs}}\right)^2 = 100 \cdot \left(\frac{2.36 \text{ m}^3/\text{h}}{5 \text{ m}^3/\text{h}}\right)^2 = 22.3 \text{ kPa}$</p> <p>Second k_{vs} value: $\Delta p_{V100} = 100 \cdot \left(\frac{\dot{V}_{100}}{k_{vs}}\right)^2 = 100 \cdot \left(\frac{2.36 \text{ m}^3/\text{h}}{6.3 \text{ m}^3/\text{h}}\right)^2 = 14 \text{ kPa}$</p>
7	Select suitable line of valves	<ul style="list-style-type: none"> 2-port valve (resulting from the basic hydraulic circuit) Flanged (specified by the planner) PN class 16 (specified by the planner) Nominal size DN (resulting from the selected valve) Maximum medium temperature: 60°C Type of medium: Water <p>\rightarrow 1st selection: VVF53.25-5 2nd selection: VVF53.20-6.3 or VVF53.25-6.3</p>

8	Check the valve authority P_V (control stability)	<p>Check P_V using the resulting differential pressure Δp_{V100}:</p> <p>First k_{vs} value: $P_V = \frac{\Delta p_{V100}}{\Delta p_{VR}} = \frac{22.3 \text{ kPa}}{34 \text{ kPa}} = 0.66$</p> <p>Second k_{vs} value: $P_V = \frac{\Delta p_{V100}}{\Delta p_{VR}} = \frac{14 \text{ kPa}}{34 \text{ kPa}} = 0.41$</p> <p>→ Higher valve authority P_V → k_{vs} value = 5 m³/h</p>
9	Select the actuator	<p>Select actuator according to the following criteria:</p> <ul style="list-style-type: none"> • Operating voltage • Positioning signal • Positioning time • Spring return function • Auxiliary functions
10	Check the working ranges	<p>Differential pressure $\Delta p_{max} > \Delta p_{V0}$</p> <p>Closing pressure $\Delta p_s > H_0$</p>
11	Select valve and actuator	<p>Type of valve: VVF53.25-5</p> <p>Type of actuator: According to the table</p>

2.10.2 Example for water: Heater with low differential pressure without main pump



1	Determine the basic hydraulic circuit	Mixing circuit
2	Determine Δp_{VR} or Δp_{MV}	<p>Header with low differential pressure and variable volumetric flow → Δp_{MV}</p> <p>$\Delta p_{MV} = \Delta p_{\text{piping}} + \Delta p_{\text{heat meter}} = 3 \text{ kPa} + 8 \text{ kPa} = 11 \text{ kPa}$</p>
3	Determine Δp_{V100}	<p>Header with low differential pressure and variable volumetric flow → $\Delta p_{V100} \geq \Delta p_{MV}$</p> <p>$\Delta p_{V100} = 11 \text{ kPa}$</p>
4	Determine the volumetric flow \dot{V}_{100}	$\dot{V}_{100} = \frac{Q_{100}}{1.163 \cdot \Delta T} = \frac{70 \text{ kW}}{1.163 \cdot (60^\circ\text{C} - 45^\circ\text{C})} = 4 \text{ m}^3/\text{h}$
5	Determine the k_{vs} value	<p><u>Flow chart</u></p> <p>Use the flow chart to determine the k_{vs} value: k_{vs} value: 12 m³/h</p> <p><u>By way of calculation</u></p> $k_v = \frac{\dot{V}_{100}}{\sqrt{\frac{\Delta p_{V100}}{100}}} = \frac{4 \text{ m}^3/\text{h}}{\sqrt{\frac{11 \text{ kPa}}{100}}} = 12.1 \text{ m}^3/\text{h}$ <p>k_{vs} value $\geq 0.85 \cdot 12 \text{ m}^3/\text{h} = 10.2 \text{ m}^3/\text{h}$ → k_{vs} value = 10 m³/h</p> <p>k_{vs} value: 10 m³/h</p>

6	Check the resulting differential pressure Δp_{V100}	$\Delta p_{V100} = 100 \cdot \left(\frac{\dot{V}_{100}}{k_{VS}} \right)^2 = 100 \cdot \left(\frac{4 \text{ m}^3/\text{h}}{10 \text{ m}^3/\text{h}} \right)^2 = 16 \text{ kPa}$
7	Select suitable line of valves	<ul style="list-style-type: none"> • 2-port valve (resulting from the basic hydraulic circuit) • Flanged (specified by the planner) • PN class 16 (specified by the planner) • Nominal size DN (resulting from selected valve) • Maximum medium temperature: 60 °C • Type of medium: Water <p>→ Selection: VXF53.25-10</p>
8	Check the valve authority P_V (control stability)	<p>Check P_V using the resulting differential pressure Δp_{V100}:</p> $P_V = \frac{\Delta p_{V100}}{\Delta p_{V100} + \Delta p_{MV}} = \frac{16 \text{ kPa}}{16 \text{ kPa} + 11 \text{ kPa}} = 0.59$
9	Select the actuator	<p>Select actuator according to the following criteria:</p> <ul style="list-style-type: none"> • Operating voltage • Positioning signal • Positioning time • Spring return function • Auxiliary functions
10	Check the working ranges	<p>Differential pressure $\Delta p_{\max} > \Delta p_{V0}$</p> <p>Closing pressure $\Delta p_s > H_0$</p>
11	Select valve and actuator	<p>Type of valve: VXF53.25-10</p> <p>Type of actuator: According to the table</p>

2.10.3 Example for heat transfer oil

As outlined in chapter "2.8.3 Impact of fluid properties on valve sizing", page 36, when sizing a valve, the density ρ , the specific heat capacity c , and the kinematic viscosity ν must be taken into consideration. Also, to ensure correct and efficient operation, a closer look should be taken at the controlled mode and the startup mode.

Properties	
Description	Mobiltherm 603
Max. permissible flow temperature	285 °C
Max. permissible film temperature	315 °C
Kinematic viscosity at 20 °C	50.5 mm ² /s
Kinematic viscosity at 100/200/300 °C	4.2/1.2/0.58 mm ² /s
Density at 20 °C	859 kg/m ³
Density at 100/200/300 °C	811/750/690 kg/m ³
Specific heat capacity c at 20 °C	1.89 kJ/kgK
Specific heat capacity c at 100/200/300 °C	2.18/2.54/2.91 kJ/kgK

When planning and commissioning a plant or when sizing valves, the suppliers' specifications must be observed. The experience and know-how of the suppliers help select the right type of heat transfer oil.

Plant data	Consumer: Air-heat transfer oil heat exchanger Differential pressure Δp_{VR} : 50 kPa (0.5 bar) Flow temperature T_{VL} : 280 °C Return temperature T_{RL} : 230 °C Required capacity Q_{100} : 55 kW Basic hydraulic circuit: Throttling circuit	
Operating data	Controlled mode when heated up	Heating up mode
Required capacity Q	$Q_{100} = 55 \text{ kW}$	Q is undefined
Temperature spread ΔT	50 K	-
Determine the volumetric flow \dot{V}_{100}	$\dot{V}_{100} = \frac{\dot{Q}_{100} \cdot 3600}{c \cdot \rho \cdot \Delta T}$ $\dot{V}_{100} = \frac{55 \text{ kW} \cdot 3600}{2.91 \text{ kJ/kgK} \cdot 690 \text{ kg/m}^3 \cdot 50 \text{ K}}$ $\dot{V}_{100} = 1.97 \text{ m}^3/\text{h}$	-
Differential pressure Δp_{V100}	With pressure and variable volumetric flow $\rightarrow \Delta p_{V100} \geq \frac{\Delta p_{VR}}{2}$ $\rightarrow \Delta p_{V100} = 25 \text{ kPa (0.25 bar)}$	Must be calculated
Flow temperature T_{VL}	280 °C	Approx. 20 °C
Kinematic viscosity ν	At 300 °C: 0.58 mm ² /s	50.5 mm ² /s
Correction factor F_R	At 280 °C: 1 Kinematic viscosity $\nu < 10 \text{ mm}^2/\text{s}$	At 20 °C: 0.75 Interpolated according to the correction factor table on page 39
Determine the k_{vs} value	$k_v = \frac{\dot{V}_{100}}{F_R} \cdot \frac{1}{\sqrt{\frac{\Delta p_{100}}{100}}}$ $F_R = 1$ $k_v = \frac{\dot{V}_{100}}{\sqrt{\frac{\Delta p_{V100}}{100}}} = \frac{1.97 \text{ m}^3/\text{h}}{\sqrt{\frac{25 \text{ kPa}}{100}}} = 3.94 \text{ m}^3/\text{h}$ $k_{vs} \text{ value} \geq 0.85 \cdot 3.94 \text{ m}^3/\text{h} = 3.35 \text{ m}^3/\text{h}$ $\rightarrow k_{vs} \text{ value} = 5 \text{ m}^3/\text{h}$	-
Volumetric flow resulting from the selected k_{vs} value	$\dot{V}_{100} = k_{vs} \cdot F_R \cdot \sqrt{\frac{\Delta p_{V100}}{100}}$ $\dot{V}_{100} = 5 \text{ m}^3/\text{h} \cdot 1 \cdot \sqrt{\frac{25 \text{ kPa}}{100}}$ $\dot{V}_{100} = 2.5 \text{ m}^3/\text{h}$	$\dot{V}_{100} = k_{vs} \cdot F_R \cdot \sqrt{\frac{\Delta p_{V100}}{100}}$ $\dot{V}_{100} = 5 \text{ m}^3/\text{h} \cdot 0.75 \cdot \sqrt{\frac{25 \text{ kPa}}{100}}$ $\dot{V}_{100} = 1.9 \text{ m}^3/\text{h}$ $\rightarrow \text{In the heating up phase, the volumetric flow is reduced by 5 \%!}$
Select the 2-port valve	VVF61.242	

2.10.4 Example for steam

As outlined in chapter "2.9 Sizing valves for steam", page 40, it must be determined first whether a supercritical or subcritical pressure ratio exists in the plant.

Example 1: By way of calculation

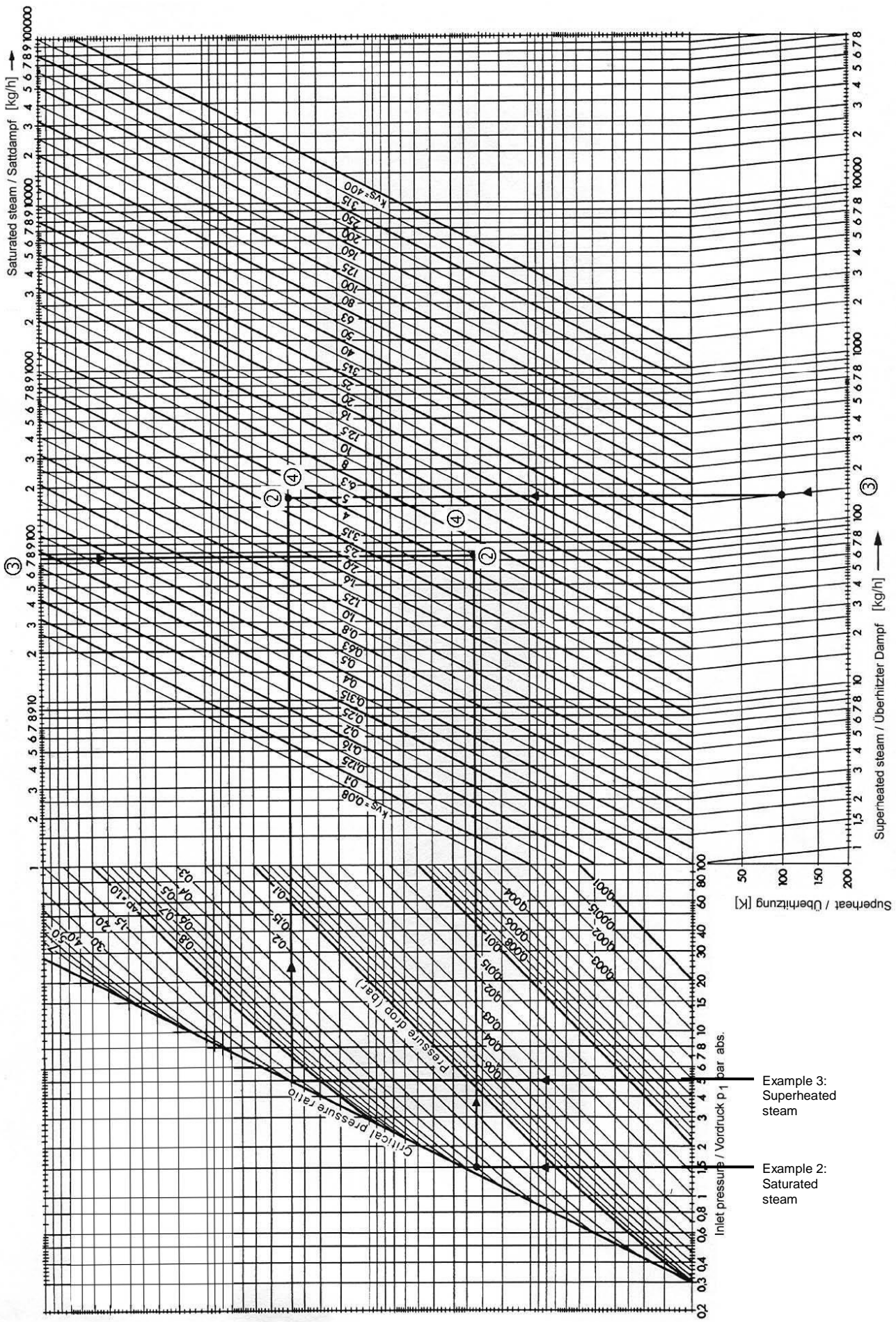
	Saturated steam = 151.8 °C Prepressure p ₁ = 500 kPa (5 bar) Steam mass flow ṁ = 460 kg/h	
Given	Pressure ratio = 30 %	Pressure ratio ≥ 42 % (supercritical permitted)
	Subcritical pressure ratio	Supercritical pressure ratio
Required	k _{vs} , valve type	k _{vs} , valve type
Solution	$p_3 = p_1 - \frac{30\% \cdot p_1}{100\%}$ $p_3 = 500 \text{ kPa} - \frac{30\% \cdot 500 \text{ kPa}}{100\%} = 350 \text{ kPa (3.5 bar)}$ $k_v = 4.4 \cdot \frac{460 \text{ kg/h}}{\sqrt{350 \text{ kPa} \cdot (500 \text{ kPa} - 350 \text{ kPa})}} \cdot 1$ $k_v = 8.83 \text{ m}^3/\text{h}$	
Selected	k _{vs} = 10 m ³ /h → VVF53.25-10	k _{vs} = 8 m ³ /h → VVF53.25-8

Example 2: With chart

Given	Saturated steam = 111.4 °C Prepressure p ₁ = 150 kPa (1.5 bar) Steam mass flow ṁ = 75 kg/h Differential pressure = 40 kPa (0.4 bar)	
Required	k _{vs} , valve type	
Solution	<ol style="list-style-type: none"> Vertical line upward to an absolute prepressure p₁ = 1.5 bar (150 kPa). Horizontal line to the right to the point of intersection 1.5 bar (15 kPa) and differential pressure 0.4 bar (40 kPa). Vertical line downward to 75 kg/h. Point of intersection k_{vs} value Select available k_{vs} value of VVF.. valve lines. Selected k_{vs} value: 5 m³/h. 	
Selected	k _{vs} value: 5 m ³ /h → VVF53.25-5	

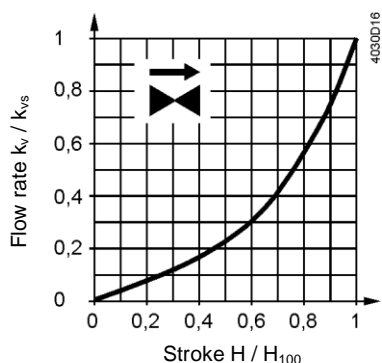
Example 3: With chart

Given	Superheated steam = 251.8 °C Saturated steam = 151.8 °C Superheating ΔT = 100 K Prepressure p ₁ = 500 kPa (5 bar) Steam mass flow ṁ = 150 kg/h Differential pressure = 200 kPa (2 bar)	
Required	k _{vs} , valve type	
Solution	<ol style="list-style-type: none"> Vertical line upward to an absolute prepressure p₁ = 5 bar (500 kPa). Horizontal line to the right to the point of intersection 5 bar (500 kPa) and differential pressure 2 bar (200 kPa). Scale "Superheated steam": Along the line at 150 kg/h upward to superheating at 100 K, then the vertical line upward. Point of intersection k_{vs} value Select available k_{vs} value of VVF.. valve lines. Selected k_{vs} value: 3.15 m³/h. 	
Selected	k _{vs} value: 3.15 m ³ /h → VVF53.15-3.2	

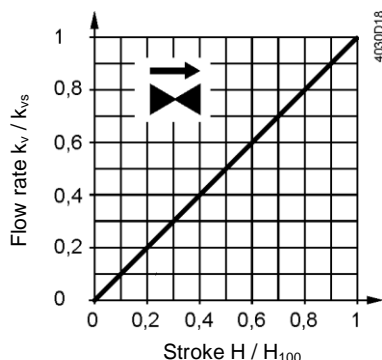


2.11 Valve characteristics

2.11.1 2-port valves



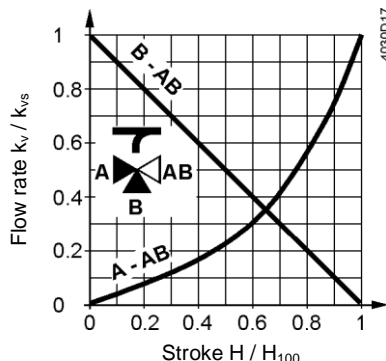
0...30 %: Linear
 30...100 %: Equal-percentage
 $n_{gl} = 3$ as per VDI / VDE 2173
 For certain valve lines and high k_{vs} values, the valve characteristic is optimized for maximum volumetric flow k_{V100} .



0...100 %: Linear

For valves:
 VVF32.125-250
 VVF42.125-250
 VVF42.125-250K
 VVF43.125-200
 VVF43.125-250
 VVF43.125-220K
 VVF53.125-250
 VVF53.125-220K
 VVF32.150-400
 VVF42.150-400
 VVF42.150-360K
 VVF43.150-400
 VVF43.150-315K
 VVF53.150-400
 VVF53.150-315K

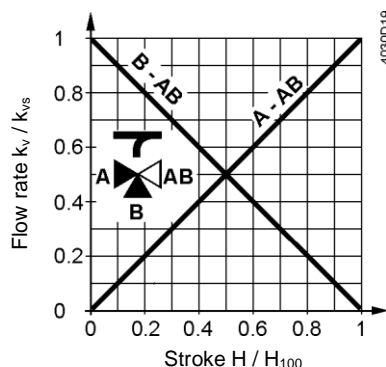
2.11.2 3-port valves



Throughport A-AB
 0...30 %: Linear
 30...100 %: Equal-percentage
 $n_{gl} = 3$ as per VDI / VDE 2173
 For certain valve lines and high k_{vs} values, the valve characteristic is optimized for maximum volumetric flow k_{V100} .

Bypass B-AB
 0...100 %: Linear
 Port AB = constant flow
 Port A = variable flow
 Port B = bypass (variable flow)

Mixing: Flow from port A and port B to port AB
Diverting: Flow from port AB to port A and port AB



Throughport A-AB
 0...100 %: Linear
Bypass B-AB
 0...100 %: Linear

For valves:
 VXF32.125-250
 VXF42.125-250
 VXF43.125-250
 VXF53.125-250
 VXF32.150-400
 VXF42.150-400
 VXF43.150-400
 VXF53.150-400

2.12 Operating pressure and medium temperature

2.12.1 ISO 7005 and EN 1092 – a comparison

ISO 7005 and EN 1092 cover PN-classified, round flanges for pipes, valves, plain fittings and accessories, plus their dimensions and tolerances, categorized according to different types of materials.

Both standards also contain the assignment of pressures and medium temperatures.

The connecting dimensions, flange and face types plus descriptions conform to the relevant ISO 7005 standards.

- ISO 7005, part 1: Steel flanges
- ISO 7005, part 2: Cast iron flanges
- ISO 7005, part 3: Flanges made of copper alloys

Since the valves covered by this document are used throughout the world, the international standard ISO 7005 was selected as a basis. The information given below explains the differences between ISO 7005 and EN 1092.

EN 1092: Part 1,
steel flanges

The international standard ISO 7005-1 on steel flanges was used as a basis for the development of EN 1092. EN 1092 deviates from ISO 7005 in the following ways:

- It solely covers flanges with PN designation
- A number of technical requirements of flanges originating from DIN standards have been changed

The differences between EN 1092-1 and ISO 7005-1 are as follows:

- In many cases, the pressure-temperature assignments of this standard have been reduced, either by limiting the assignments at lower temperatures – which may no longer exceed the value of the PN class – or by increasing the rate at which the admissible pressure drops on temperature rise
- In addition to the PN 2.5 – PN 40 range of flanges originating from DIN standards, which is defined in ISO 7005, EN 1092 also contains flanges up to PN 400

EN 1092: Part 2,
cast iron flanges

In terms of flanges of the same PN class, this standard refers to ISO 7005-2 and ISO 2531. Flange types and connecting dimensions are compatible with the same DN and PN class of ISO 7005 and ISO 2531.

- Pressure-temperature assignments: There are no differences between EN 1092-2 and ISO 7005-2

EN 1092: Part 3, flanges
made of copper alloys

In terms of flanges of the same PN class, this standard refers to ISO 7005-3. Flange types and connecting dimensions are compatible with the same DN and PN class of ISO 7005.

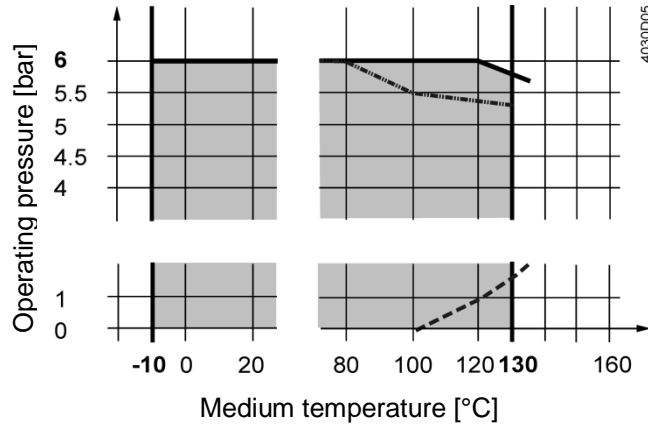
- Pressure-temperature assignments: There are no differences between EN 1092-3 and ISO 7005-3



To be able to make use of the permissible operating pressures and operating temperatures according to EN 1092-1 as listed in the following tables/graphs, high-quality steel is required when using steel flanges. Otherwise, the permissible plant operating pressures must be reduced as specified in EN 1092-1.

2.12.2 PN 6 valves with flanged connections

Fluids
with V..F22..



- Curve for saturated steam; steam forms below this line
Operating pressure according to EN 1092, valid for 2-port valves with
- - - blank flange

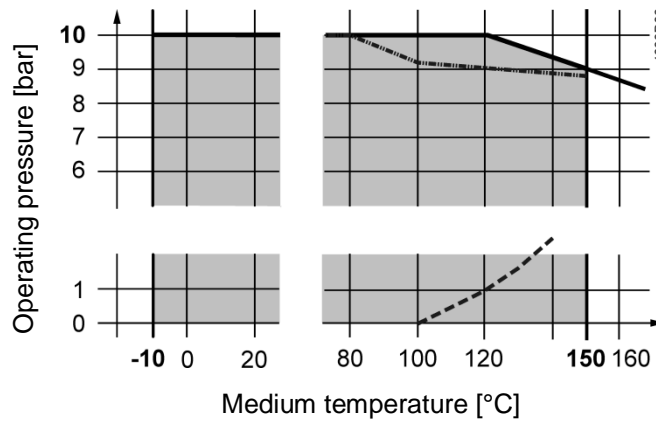
Operating pressure and operating temperatures as per ISO 7005 and EN 1092

Note

- All relevant local directives must be observed

2.12.3 PN 10 valves with flanged connections

Fluids
with V..F32..
V..F42..



- Curve for saturated steam; steam forms below this line
Operating pressure according to EN 1092, valid for 2-port valves with
- - - blank flange

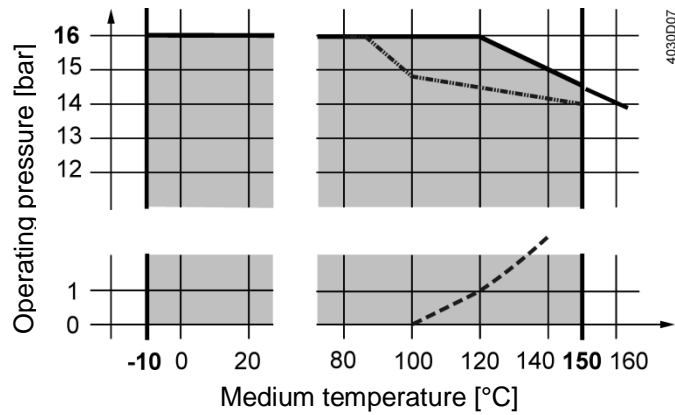
Operating pressure and operating temperatures as per ISO 7005 and EN 1092

Notes

- V..F42.: Applies when these valves are used in PN 10 plants
- All relevant local directives must be observed

2.12.4 PN 16 valves with flanged connections

Fluids
with V..F42..



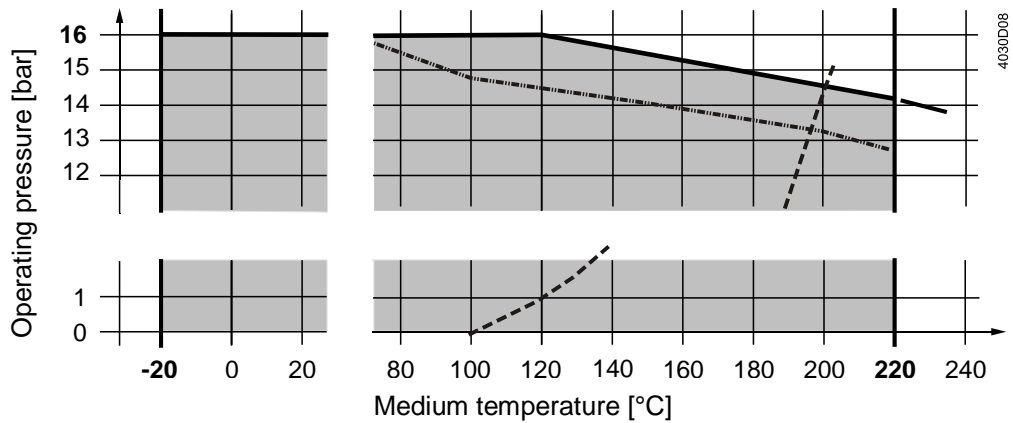
- Curve for saturated steam; steam forms below this line
- Operating pressure according to EN 1092, valid for 2-port valves with blank flange
- - -

Operating pressure and operating temperatures as per ISO 7005 and EN 1092

Note

- All relevant local directives must be observed

Fluids
with V..F43..
V..F53..



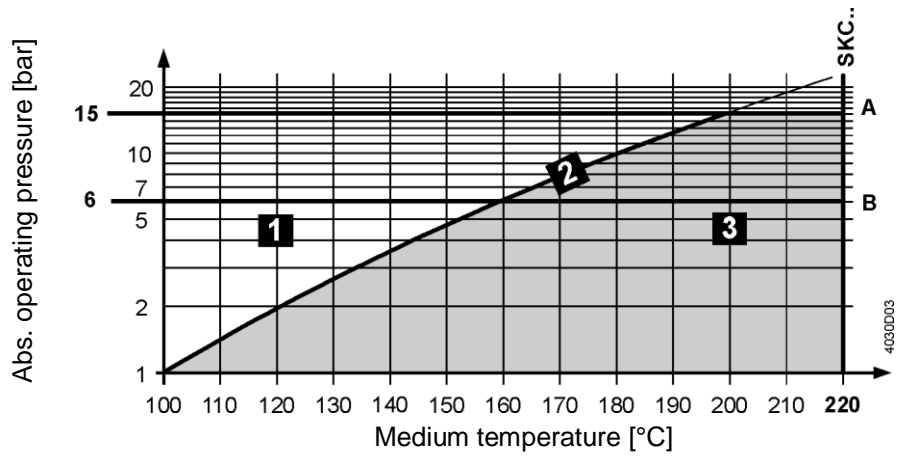
- Curve for saturated steam; steam forms below this line
- Operating pressure according to EN 1092, valid for 2-port valves with blank flange
- - -

Operating pressure and operating temperatures as per ISO 7005, EN 1092 and EN 12284

Notes

- V..F53..: Applies when these valves are used in PN 16 plants
- All relevant local directives must be observed

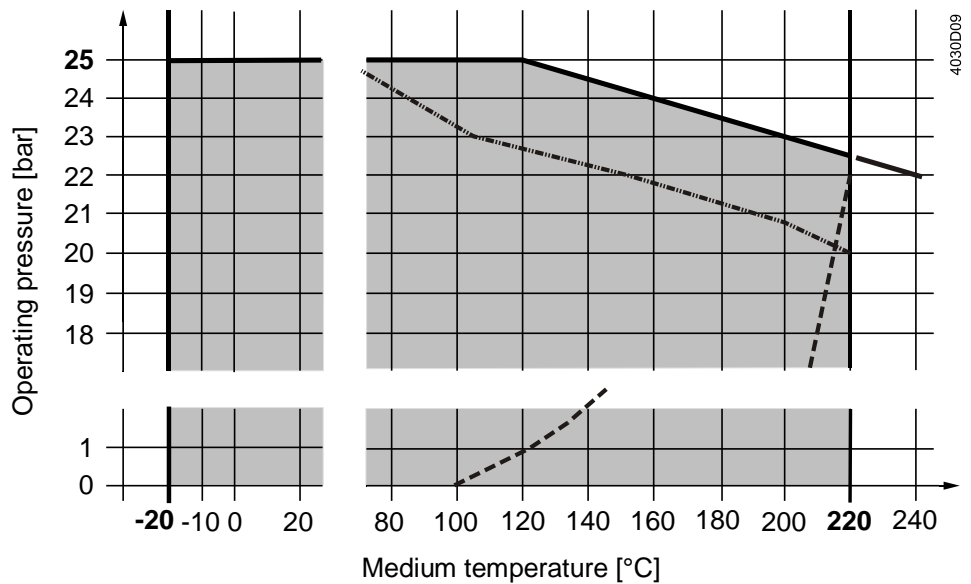
Saturated steam
Superheated steam
 with VVF43..
 VVF43..K



1	Water	-
2	Wet steam	To be avoided
3	Saturated steam Superheated steam	Permissible operating range
A		Subcritical pressure ratio
B		Supercritical pressure ratio

2.12.5 PN 25 valves with flanged connections

Fluids
 V..F53..



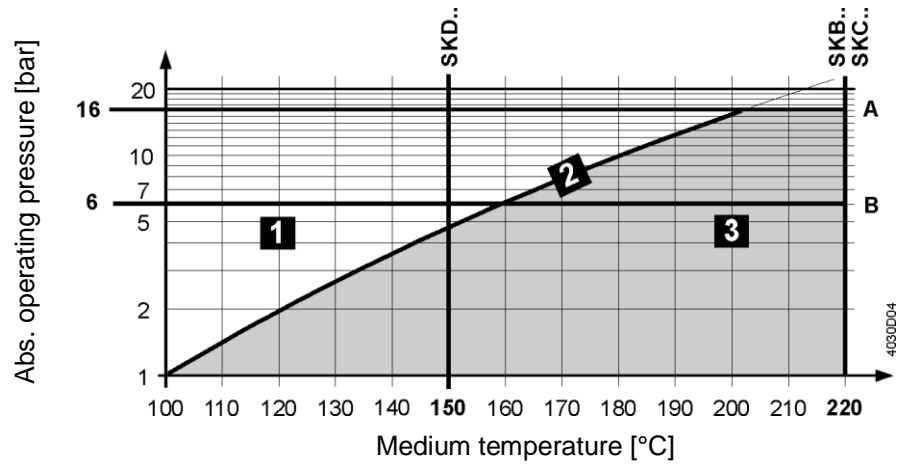
--- Curve for saturated steam; steam forms below this line
 — Operating pressure according to EN 1092, valid for 2-port valves with blank flange

Operating pressure and operating temperatures as per ISO 7005, EN 1092 and EN 12284

Note

- All relevant local directives must be observed

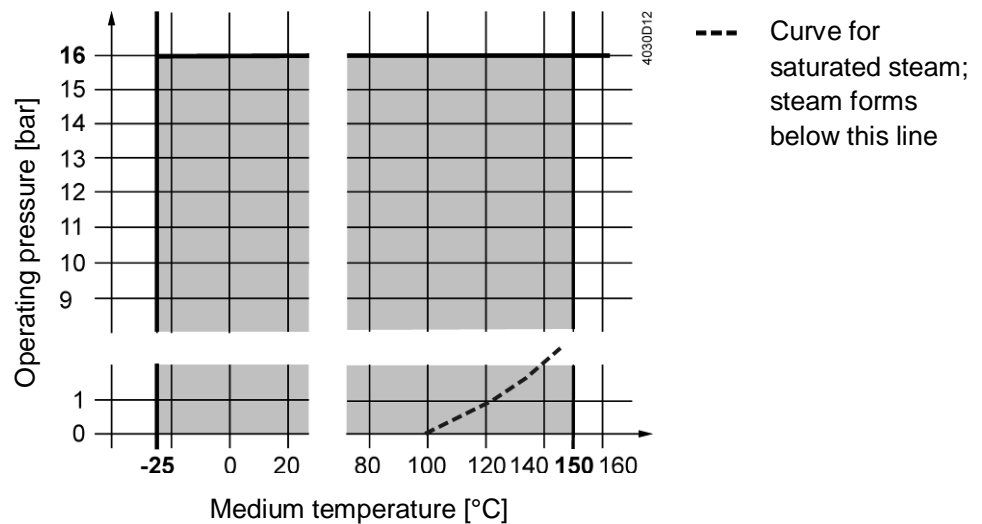
Saturated steam
 Superheated steam
 VVF53..



1	Water	-
2	Wet steam	To be avoided
3	Saturated steam Superheated steam	Permissible operating range
A		Subcritical pressure ratio
B		Supercritical pressure ratio

2.12.6 PN 16 valves with threaded connections

Fluids
 V..G41..
 V..I41..

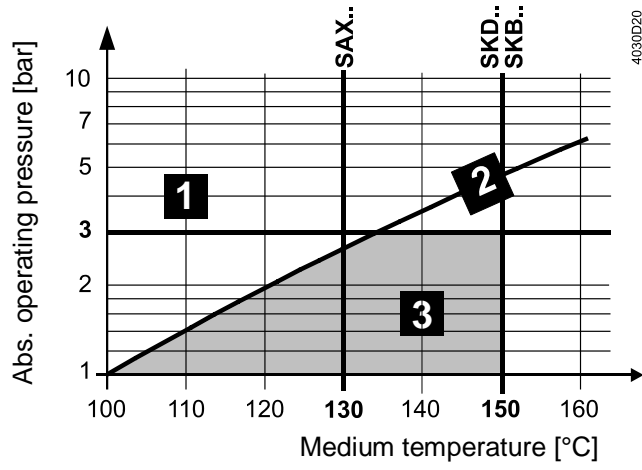


Operating pressure and operating temperatures as per ISO 7005 and EN 12284

Note

- All relevant local directives must be observed

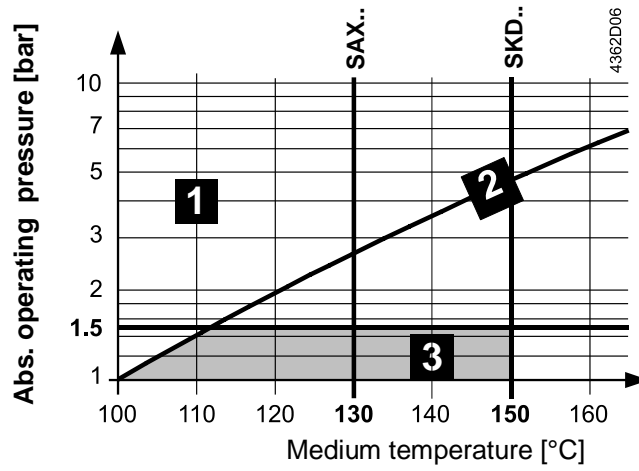
Saturated steam
 Superheated steam
 VVG41..



4030D20

1	Water	-
2	Wet steam	To be avoided
3	Saturated steam Superheated steam	Permissible operating range

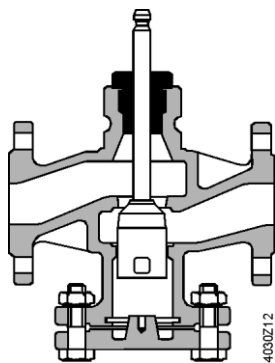
VVI41..



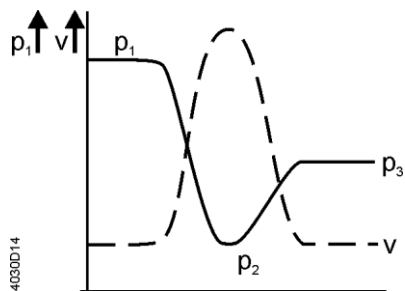
4362D06

1	Water	-
2	Wet steam	To be avoided
3	Saturated steam Superheated steam	Permissible operating range

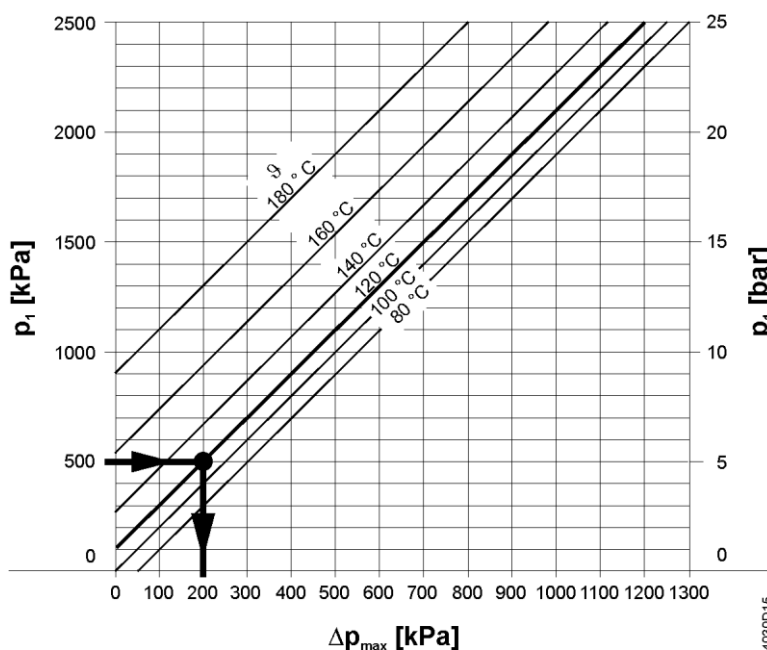
2.13 Cavitation



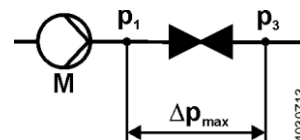
Due to high speeds of the medium in the narrowest section of the valve, local underpressure occurs (p_2). If this pressure drops below the medium's boiling pressure, cavitation occurs (steam bubbles), possibly leading to material removal (abrasion). Also, when cavitation sets in, the noise level increases abruptly. Cavitation can be avoided by limiting the pressure differential across the valve as a function of the medium temperature and the prepressure.



--- Progression of speed
 — Progression of pressure p



Δp_{\max} = differential pressure with valve almost fully closed at which cavitation can largely be avoided
 p_1 = static pressure at valve inlet
 p_3 = static pressure at valve outlet
 M = pump
 ϑ = water temperature



Example for low-temperature hot water

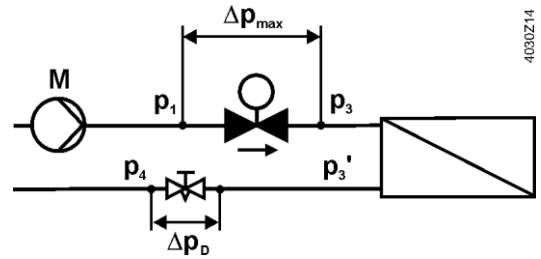
Pressure p_1 at valve inlet: 500 kPa (5 bar)
 Water temperature: 120 °C

From the chart above it can be seen that with the valve almost fully closed, the maximum permissible differential pressure Δp_{\max} is 200 kPa (2 bar).

Example for cold water

Spring water cooling as an example for avoiding cavitation:

Cold water	= 12 °C
p_1	= 500 kPa (5 bar)
p_4	= 100 kPa (1 bar) (atmospheric pressure)
Δp_{\max}	= 300 kPa (3 bar)
$\Delta p_{3-3'}$	= 20 kPa (0.2 bar)
Δp_D (throttle)	= 80 kPa (0.8 bar)
$p_{3'}$	= pressure downstream from the consumer in kPa



Note

To avoid cavitation in the case of cold water circuits, it must also be made certain that there is sufficient static counter-pressure at the valve's outlet. This can be ensured by installing a throttling valve downstream from the heat exchanger, for example. In that case, the maximum pressure drop across the valve should be selected according to the 80 °C curve in the flow chart above on page 56.

2.14 Medium quality and medium treatment

All relevant local directives must be observed whenever it comes to water quality, corrosion or contamination.

2.14.1 Water

Note

- Water treatment as per VDI 2035 to avoid boiler scale and damage due to corrosion on the water side
- The requirements of DIN EN 12953-10 should be observed
- Local guidelines and directives should be observed

Planning

Install a strainer (dirt trap).

Installation and commissioning

- The company making the installation is responsible for the water quality in HVAC plants
- Before filling a hydraulic HVAC circuit with water, the installer must observe the specifications of suppliers regarding water quality. If such specifications or regulations are not observed, severe damage to the plant can occur
- When commissioning a plant, the company that made the installation is obliged to write a commissioning report including information about water quality and filling (plant volume) and, if necessary, about water treatment and the additives used

Recommendation

Keep a plant record.

Maintenance and service

The installer should check hydraulic HVAC circuits at least once a year.

Before adding water to a hydraulic HVAC circuit, the installer must observe the specifications of suppliers regarding water quality (water treatment as per VDI 2035). If such specifications or regulations are not observed, severe damage to the plant can occur.

When adding water at a later stage, the company that made the installation is obliged to write a commissioning report including information about water quality and the filling (plant volume) and, if necessary, about water treatment and the additives used.

Recommendation To prevent boiler scale and damage resulting from corrosion, the water quality in open or closed plants must be checked at regular intervals. The plant record must always be kept up to date.

2.14.2 Water with antifreeze

Note For water with antifreeze, such as ethylene glycol or propylene glycol, the supplier-specific values for the density ρ , the specific heat capacity c , and the kinematic viscosity ν are to be determined by way of concentration and medium temperature. These values must be observed when sizing valves to make certain that correct k_{vs} values are obtained.

In the case of antifreeze concentrations with a kinematic viscosity of $< 10 \text{ mm}^2/\text{s}$, correction factors for the sizing of valves are not required. Refer to chapter "2.8.3 Impact of fluid properties on valve sizing", page 36.

Planning

- The type of antifreeze (product and dosage) added to the system must be approved by the supplier for use in HVAC plants
- If several additives are used (e.g. antifreeze and hardness stabilizers), the required combination must be approved by the same supplier
- Install a strainer (dirt trap)

Installation and commissioning

- The company making the installation is responsible for the correct antifreeze concentration and water quality in HVAC plants
- Before filling a hydraulic HVAC circuit with a medium, the installer must observe the specifications of the supplier. If such specifications or regulations are not observed, severe damage to the plant can occur
- When commissioning a plant, the company that made the installation is obliged to write a commissioning report including information about water quality, antifreeze concentration and filling (plant volume) and, if necessary, about water treatment and the additives used

Recommendation Keep a plant record.

Maintenance and service The installer should check hydraulic HVAC circuits at least once a year. According to supplier specifications, the antifreeze concentration, the pH value, and the concentration of inhibitors must be checked once a year, for example.

Recommendation The antifreeze concentration and water quality in open or closed HVAC plants must be checked at regular intervals. The plant record must always be kept up to date.

2.14.3 Deionized, demineralized water and super-clean water

Note

These media have an impact on valve selection (material of O-rings, gaskets, plug/seat, and valve body). Compatibility must be checked.

Deionized water	Demineralized water	Super-clean water
The ions of salts contained in the water have been removed	The minerals contained in the water have been removed	Intensely treated water with a high specific resistance and containing no organic substances

To avoid corrosion and to ensure a long service life of the valves, gaskets and plugs, the following limits must be observed:

- Oxygen: < 0.02 mg/l
- pH value: 8.2...8.5
- Electric conductance: < 5 μ Si
- Sum of alkaline earths: < 0.0051 mmol/l
- Hardness: < 0.03 °dH

Planning

- The media must be approved by the supplier for use in HVAC plants
- Install a strainer (dirt trap)

Installation and commissioning

- The company making the installation is responsible for the quality of the media used
- Before filling a hydraulic HVAC circuit with a medium, the installer must observe the supplier's specification. If such specifications or regulations are not observed, severe damage to the plant can occur
- When commissioning a plant, the company that made the installation is obliged to write a commissioning report including information about medium quality and filling (plant volume) and, if necessary, about water treatment and additives used

Recommendation

Keep a plant record.

Maintenance, service

The installer should check hydraulic HVAC circuits at least once a year.

Recommendation

The quality of the medium used in open or closed HVAC plants must be checked at regular intervals. The plant record must always be kept up to date.

2.14.4 Heat transfer oil (thermal oil)

Note

Heat transfer oil has an impact on valve selection (material of O-rings and gaskets). Compatibility must be checked.

When planning and commissioning a plant or when sizing valves, the suppliers' specifications must be observed. To make certain the right type of heat transfer oil is used, one should rely on the suppliers' experience and know-how.

When using heat transfer oil (thermal oil), the following supplier-specific values must be taken into consideration:

- Correction factor F_R , if the supplier-specific kinematic viscosity ν exceeds $10 \text{ mm}^2/\text{s}$
- Density ρ
- Room and operating temperature
- During the heating up phase, the kinematic viscosity ν is very high. The volumetric flow is much smaller than planned and thus the available amount of energy $Q_{\text{heating up phase}}$ as well. This must be taken into account during the planning phase and when sizing the valve

Refer to chapter "2.8.3 Impact of fluid properties on valve sizing", page 36.

Types of heat transfer oil

- Heat transfer media on the basis of mineral oil
- Synthetic heat transfer fluids
- Organic heat transfer fluids as per DIN 4754
- Heat transfer media of a uniform substance or mixture
- Heat transfer oils on the basis of silicon

Planning

Install a strainer (dirt trap).

Installation and commissioning

- The company making the installation is responsible for the quality of the media used
- Before filling a hydraulic HVAC circuit with a medium, the installer must observe the supplier's specification. If such specifications or regulations are not observed, severe damage to the plant can occur
- When commissioning a plant, the company that made the installation is obliged to write a commissioning report including information about medium quality and filling (plant volume) and, if necessary, about water treatment and the additives used

Recommendation

Keep a plant record.

Maintenance and service

The installer should check hydraulic HVAC circuits at least once a year.

Before adding medium to a hydraulic HVAC circuit, the installer must observe the supplier's specification. If such specifications or regulations are not observed, severe damage to the plant can occur.

When adding medium at a later stage, the company that made the installation is obliged to write a commissioning report including information about the quality of the medium and the filling (plant volume) and, if necessary, about treatment and additives used.

Recommendation

The quality of the medium in open or closed plants must be checked at regular intervals. The plant record must always be kept up to date.

2.15 Engineering notes

2.15.1 Strainer (dirt trap)

Open and closed HVAC plants require a strainer (dirt trap). This improves the quality of the water, ensures proper functioning of the valve, and a long service life of the HVAC plant with its components.

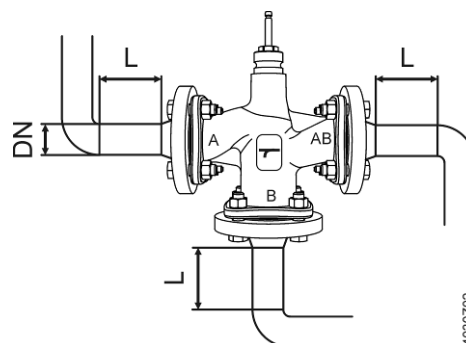
2.15.2 Avoiding flow noise

To reduce flow noise, abrupt reductions in pipe diameters, tight pipe bends, sharp edges or reductions in the vicinity of valves should be avoided. A settling path should be provided.

Recommendation:

- $L \geq 10 \times DN$, at least 0,4 m

Also, the flow must be free from cavitation (refer to page 54).



2.15.3 Avoiding false circulation

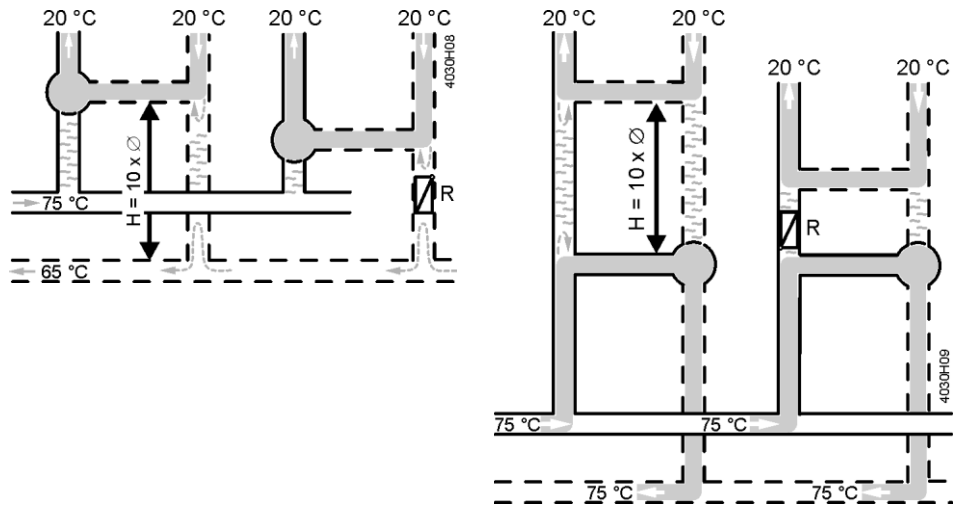
When 3-port valves in HVAC plants are fully closed, false circulation can occur when hot water rises or when water is pulled away near rectangular pipe connections.

Note

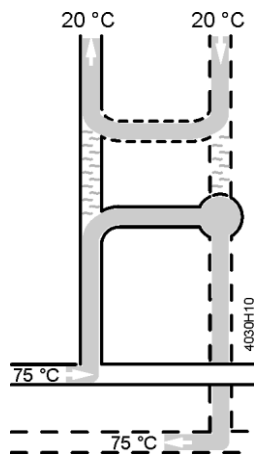
False circulation can be avoided by proper planning – with almost no extra cost – but remedy is usually very costly in existing plants.

Measures against false circulation

- Observe guide value for the water speed: 0.5...1 m/s.
The lower the water speed, the smaller the risk that the diverted flow pulls water from the critical piping section. If required, balancing valves can be installed to improve flow conditions
 - Observe a certain distance between bypass and collector/header or short-circuit:
 $H \geq 10 \times \text{pipe dia.}$, minimum 400 mm
- or
- Installation of a check valve or gravity brake R with small spring pressure in the critical piping section, aimed at ensuring a minimum flow in the opening range



- Welded elbows.

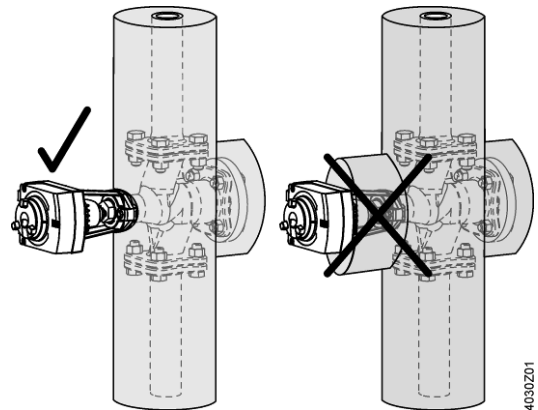


2.15.4 Thermal insulation

Insulated pipes and valves save energy.

Actuators must never be insulated. This is to make certain that heat produced by the actuator can be dissipated, thus preventing overheating.

Recommendation:
Thermal insulation of pipes and valves conforming to EnEV 2009



Recommendation ¹⁾

#	Type of pipes/valves	Minimum thickness of thermal insulation
1	Inside diameter up to 22 mm	20 mm
2	Inside diameter 22...35 mm	30 mm
3	Inside diameter 35...100 mm	Same as inside diameter
4	Inside diameter > 100 mm	100 mm
5	Through walls and ceilings, at pipe crossings and connections, at central network distributors	½ of requirements of # 1...4

6	Pipes of central heating systems which, after January 31, 2002, were installed between heated rooms of different users	½ of requirements of # 1...4
7	Pipes according to # 6 in the floor's structure	6 mm
8	Cooling energy distribution/cold water pipes and valves of room ventilation and air conditioning systems	6 mm

¹⁾ Applies to a heat conductance of 0.035 W/(m·K)

When using materials with a heat conductance other than 0.035 W/(m·K), the minimum thickness of the insulating layers must be appropriately adapted. For the conversion and heat conductance of insulating material, the calculation methods and data applied by established technical rules must be used.

2.16 Warranty

The engineering data listed in chapter "Type summary and equipment combinations" on page 14 are ensured only when the valves are used in connection with the specified Siemens actuators.

Note

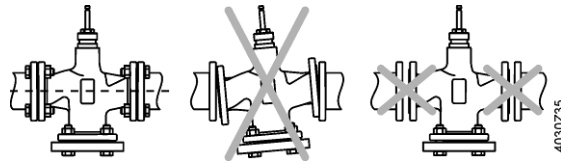
If the valves are used in combination with actuators supplied by thirds, proper functioning must be ensured by the user himself and Siemens Building Technologies will assume no liability.

3 Handling

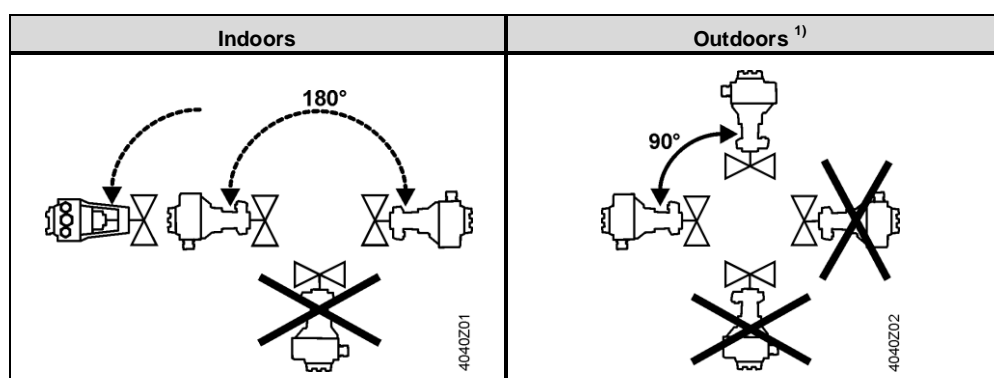
3.1 Mounting and installation

Note

The valves must be installed free from distortion:



3.1.1 Mounting positions



¹⁾ Only in combination with weather shield ASK39.1 and actuators SAX..

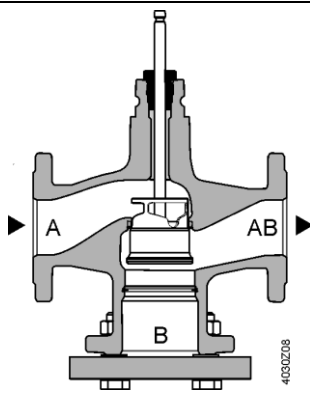
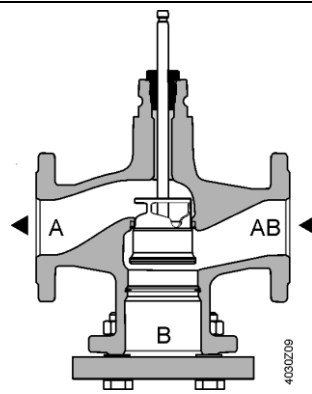
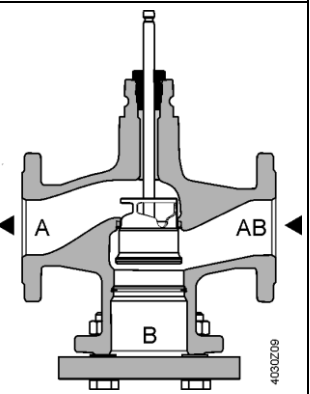
Mounting positions apply to both 2- and 3-port valves.

3.1.2 Direction of flow for fluids and steam

For general illustration and further details, refer to chapter "4.3 Technical and mechanical design", page 70.

2-port valves

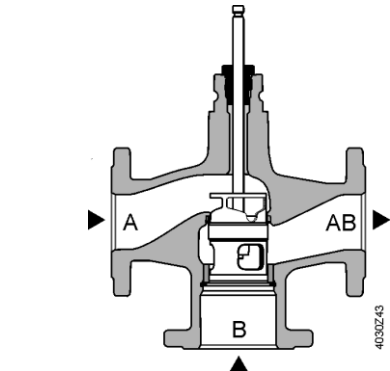
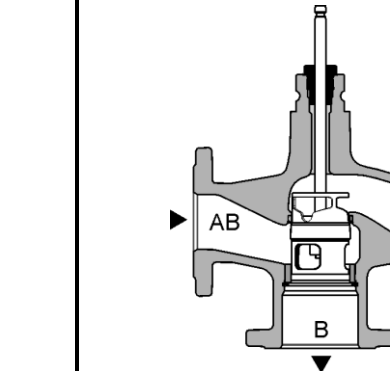
Fluids	Steam	
VVF22..., VVF32..., VVF42..., VVK42..K, VVG41..., VVI41..	VVG41.. VVI41..	
Closing against the pressure	Closing against the pressure	Closing with the pressure
<p>A → AB For use with all actuators</p>	<p>A → AB For use with all actuators</p>	<p>A ← AB</p>

Fluids		Steam
VVF43... VVF53..	VVF43..., VVF43..K VVF53..., VVF53..K	VVF43..., VVF43..K, VVF53..., VVF53..K
Closing against the pressure	Closing with the pressure	Closing with the pressure
 <p>A → AB For use with all actuators</p>	 <p>A ← AB Use with electro-hydraulic actuators only</p>	 <p>A ← AB Use with electro-hydraulic actuators only</p>

Hinweis

2-port valves do not become 3-port valves by removing the blank flange!

3-port valves

Fluids	
Mixing valve (preferred use)	Diverting valve
 <p>A T → AB B</p>	 <p>AB T → A B</p>

3.1.3 Flanges

To ensure that flanges are correctly connected, the nominal, maximum and minimum tightening torques must be observed. They depend on the strength and size of the bolts and nuts, the material of the flanges, the PN class, the flange gaskets used and the medium in the hydraulic system.

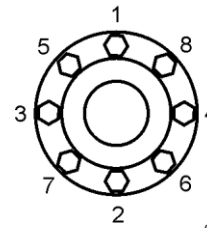
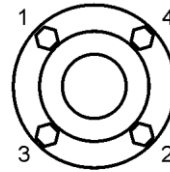
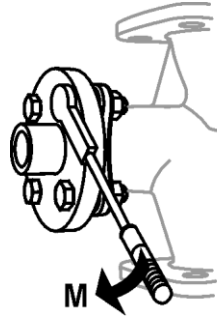
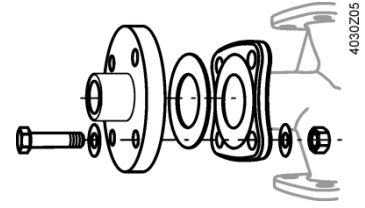
The tightening torques also depend on the specification of the gasket supplier and must be observed, using a torque wrench.

To determine the right tightening torques, refer to the suppliers' specifications. According to EN 1515-1, the selection of materials for bolts and nuts is also dependent on the PN class, the temperatures, and other operating conditions, such as the type of medium.

Recommendation Use a torque wrench.

Procedure

1. Clean the flanges.
2. Place the gaskets between the flanges.
3. Fit the bolts, washers and nuts and tighten them by hand.
4. Tighten the bolts crosswise in 3 steps as shown below (M = tightening torque):
 - Step 1: 25 % M
 - Step 2: 50 % M
 - Step 3: 100 % M



1 to 8 = order for tightening the bolts
M = tightening torque


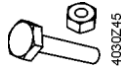
- Notes:
- Too low or too high tightening torques can cause leakage at the flange connections or even lead to broken flanges
 - Observe the following table "Guide values for tightening torques", page 66

5. When the operating temperature is reached, retighten the bolts.

Guide values for tightening torques

DN	15	20	25	32	40	50	65	80	100	125	150
Max. tightening torque [Nm]											
PN 6	-	-	40	-	40	40	40	40	120-	-	-
PN 10	40	-	40	-	120	120	120	120	120	120	120
PN 16	40	40	40	120	120	120	120	120	120	120	200
PN 25	40	40	40	120	120	120	120	120	200	300	300
PN 40	40	40	40	120	120	120	120	120	200	300	300

3.1.4 Stem heating element ASZ6.6

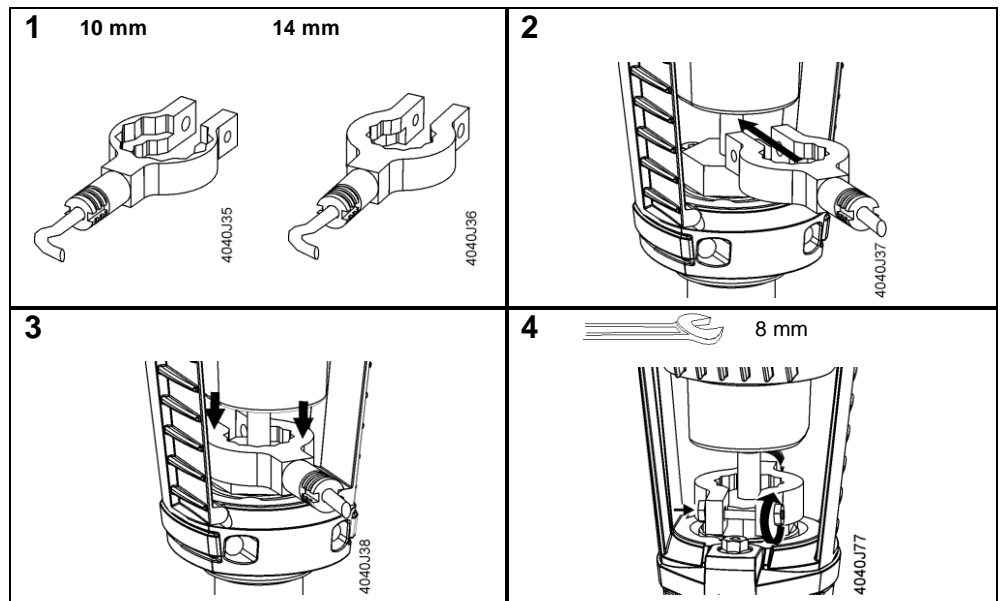
Scope of delivery	
1 Stem heating element ASZ6.6	1 screw M4 x 30 mm including nut
	

To fit the stem heating element, stroke actuator and valve must be assembled. The stem heating element is powered separately.

Special notes on mounting

Prior to mounting, check the following:

1. Actuator and Siemens valve are assembled.
2. Observe compatibility and choice of combinations.



Note
Valve lines V..F43/53..

When using a stem heating element and medium temperatures are below $-5\text{ }^{\circ}\text{C}$, the stem sealing gland must be replaced. In that case, the sealing gland must be ordered also (stock number 4 284 8806 0).

3.1.5 Thermal insulation

Refer to "Thermal insulation", page 62

3.2 Commissioning and maintenance

3.2.1 Commissioning

The valve may be put into operation only if actuator and valve are correctly assembled.

Note

Ensure that actuator stem and valve stem are rigidly connected in all positions.

Function check

Valve	Throughport A→AB	Bypass B→AB
Valve stem extends	Closes	Opens
Valve stem retracts	Opens	Closes

3.2.2 Maintenance

The valves are maintenance-free.

3.3 Disposal



Before disposal, the valve must be dismantled and separated into its various constituent materials.

Legislation may demand special handling of certain components, or it may be sensible from an ecological point of view.

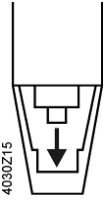
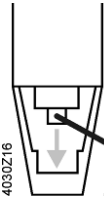
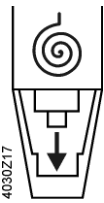

All local and currently valid legislation must be observed.

4 Functions and control

4.1 Selection of acting direction and valve characteristic

The valve's characteristic and acting direction (push to open, pull to open, normally open, normally closed) have an impact on the acting direction and valve characteristic selected with the actuator's DIL switches as well as on the required function in the event of a power failure (actuator with or without spring return function).

The objective is the following: As the positioning signal Y increases, the volumetric flow V through the valve shall rise or, in the event of a power failure, the valve shall fully open, $V = 100\%$ (NO = normally open), or fully close, $V = 0\%$ (NC = normally closed), depending on plant requirements.

Actuator pushing		Push to open		Pull to open		
		Direct		Reverse		
 4030Z15	DIL switches	Acting direction	Linear		Equal-percentage	
		Flow characteristic	Linear		Equal-percentage	
	Without spring return function	No power applied	Maintains the position			
 4030Z16	DIL switches	Acting direction	No mechanical stroke inverter required Selection of acting direction via DIL switch			
		Flow characteristic				
	Without spring return function	No power applied				
 4030Z17	DIL switches	Acting direction	Direct		Reverse	
		Flow characteristic	Linear	Equal-percentage	Linear	Equal-percentage
	With spring return function	No power applied	Closed (NC function) $V = 0\%$		Open (NO function) $V = 100\%$	
 4030Z18	DIL switches	Acting direction	Reverse		Direct	
		Flow characteristic	Linear	Equal-percentage	Linear	Equal-percentage
	With spring return function	No power applied	Fully open (NO function) $V = 100\%$		Fully closed (NC function) $V = 0\%$	

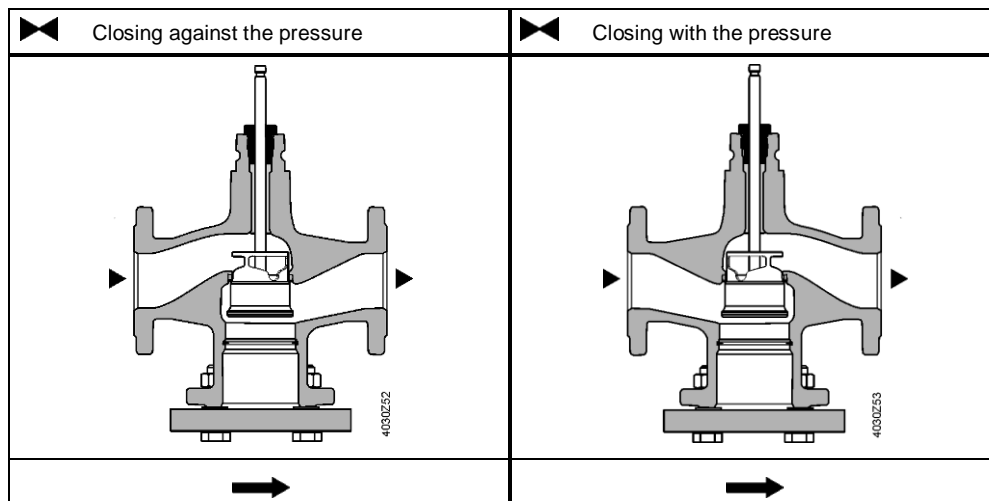
4.2 Calibration

Calibration must be performed when valve and actuator are correctly assembled.

4.3 Technical and mechanical design

The illustrations below only show the valves' basic design; constructional features, such as the shape of plugs, may differ.

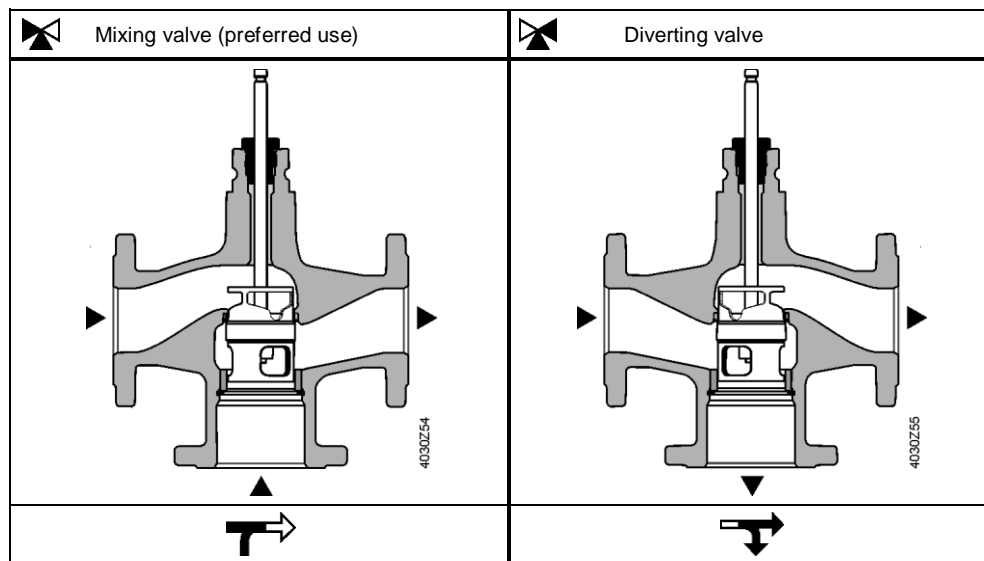
2-port valves



Note

2-port valves do not become 3-port valves by removing the blank flange!

3-port valves

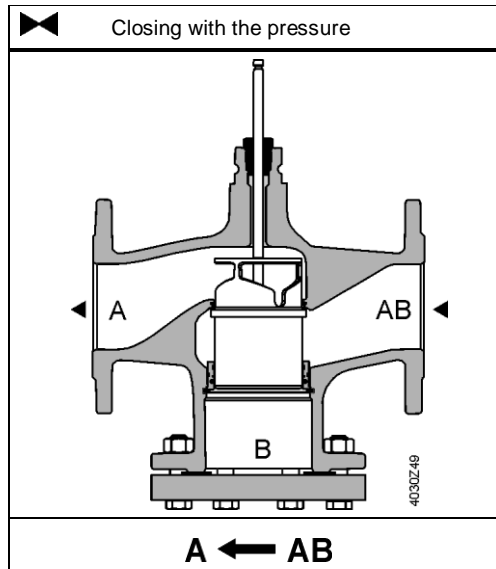


Depending on the nominal valve size, a guided parabolic, perforated or slot plug is used – rigidly connected to the valve stem.

The seat is pressed into the valve body together with a special sealing compound.

4.3.1 Vales with pressure compensation

The valves VVF42...K, VVF43...K and VVF53...K are equipped with a pressure-compensated plug. Thereby volume flow rates with same actuators at higher differential pressure can be controlled.



Note

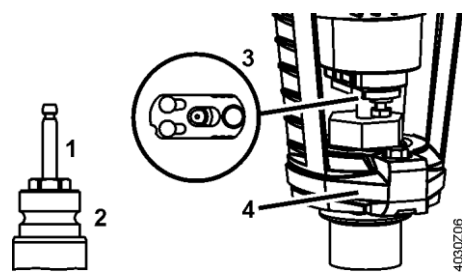
2-port valves do not become 3-port valves by removing the blank flange!

4.3.2 Plug stop

The built-in plug stop ...

- supports secure guidance of the plug in all stroke positions,
- prevents the head of the stem from immersing into the sealing gland, thus avoiding damage to the seal,
- prevents loss of plug as long as no actuator is fitted.

4.3.3 Valve stem, valve neck, coupling



- The diameter of the valve stem is 10 mm with all types of valves
- The same valve stem design ensures compatibility with the actuators

- 1 Valve stem
- 2 Valve neck
- 3 Valve stem coupling
- 4 Valve neck coupling

4.3.4 Converting a 2-port to a 3-port valve

It is not possible to convert a 2-port valve to a 3-port valve.

2-port valves do not become 3-port valves by removing the blank flange!

4.3.5 Converting a 3-port to a 2-port valve

Every type of 3-port valve can be converted to a 2-port valve.

Notes In that case, the type plate is no longer in compliance with the valve's function. Siemens does not supply replacement type plates.

4.3.6 Flange types

Flanges, flange dimensions and flange connections conform to ISO 7005 and EN 1092 respectively.

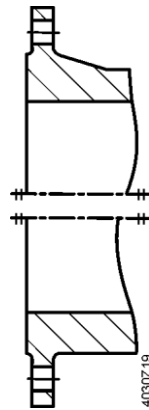
Valve types

- 2-port valves VVF..
- 3-port valves VXF..

Flange type

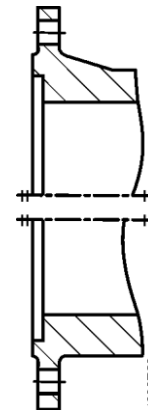
Type 21 (integral flange) as per ISO 7005 is an integral component of a pressure device.

Type of flange and flange face



Type B
(raised face)
Type B1

The illustration shows the transition from the flange to the valve body of the V..F.. valves (not true to scale, faces only outlined)



Type F
(with recess)

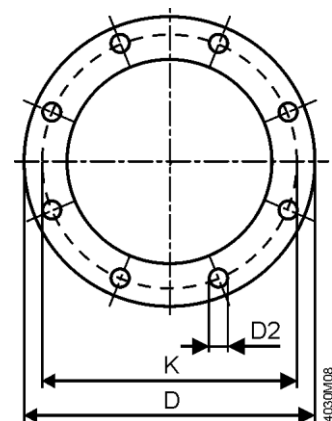
Gaskets

In the case of ISO 7005, the gaskets do not constitute part of the standard – in contrast to EN 1092.

Note

Up to DN 50, PN 25 is also used for PN 16

Up to DN 50, the flange dimensions of pressure classes PN 16 and PN 25 are identical. For this reason, for k_{vs} values $\leq 40 \text{ m}^3/\text{h}$ and nominal sizes $\leq \text{DN } 50$, the valves of the V..F53.. line (PN 25) are listed in place of the valves of the V..F43.. line (PN 16).



Connecting dimensions [mm]
PN 16/PN 25 to DN 50

DN	D Outside diameter of flange	K Diameter of bolt circle	D2 Diameter of bolt holes	Bolts	
				Quantity	Size
10	90	60	14	4	M12
15	95	65	14	4	M12
20	105	75	14	4	M12
25	115	85	14	4	M12
32	140	100	18	4	M16
40	150	110	18	4	M16
50	165	125	18	4	M16

Connecting dimensions [mm]
Bypass-Port B

The valve series VXF22, VXF32, VXF42, VXF43 and VXF53 have a greater interior diameter in bypass port B versus the nominal value. This is not a problem when used with any standard ISO7005 and EN1092 steel flanges but ensure that any connection method used is explicitly designed for a specific interior diameter is compatible with this greater interior diameter..

DN	D3 Ø Inside diameter bypass-flange				
	VXF22	VXF32	VXF42	VXF43	VXF53
15	-	23	23	-	25
20	-	-	29	-	35
25	36	36	36	-	38
32	-	-	46	-	46
40	52	56	56	-	57
50	65	69	69	-	69
65	85	85	85	86	86
80	98	102	102	100	100
100	116	124	124	123	123
125	-	149	149	149	149
150	-	174	174	174	174

5 Technical data

		V..F22..	V..F32..	V..F42..	V..F43..	V..F53..	V..G41..	V..I41..	
Function data	PN class	PN 6	PN 10	PN 16		PN 25 (PN 16)	PN 16		
	Type of connection	Flanged					Externally threaded	Internally threaded	
	Operating pressure	Within the range of the permissible medium temperature according to the charts on pages 51.							
	Valve characteristic ¹⁾	Linear							
	Throughport 0...30 %	Equal-percentage; $n_{gl} = 3$ to VDI / VDE 2173							
	30...100 %	Linear							
	$k_{vs} = 250/360/400 \text{ m}^3/\text{h}$	Linear							
	Bypass	Linear							
	Leakage rate	Throughport	0...0.02 % of k_{vs} value			0...0.01 % of k_{vs} value (class IV)		0...0.02 % of k_{vs} value	
	Bypass	0.5...2 % of k_{vs} value for $k_{vs} \geq 6.3$		0.5...2 % of k_{vs} value with SKD.., SKB.., and SKC..		0.05 % of k_{vs} value with SAX..		-	-
		0.5...4 % of k_{vs} value for $k_{vs} 2.5, 4$	0.5...3 % of k_{vs} value for $k_{vs} 1.6, 2.5, 4$				VXG41.. VXI41..	0.5...2 % of k_{vs} value	
						VXG41..01	0...0.02 % of k_{vs} value		-
Media	According to the table on page 12, "2.2.1 Compatibility with medium and temperature ranges"								
	Cold water	According to the table on page 12, "2.2.1 Compatibility with medium and temperature ranges"							
	Low-temperature hot water								
	High-temperature hot water								
	Water with antifreeze								
	Cooling water								
	Drinking water								
	Brines								
	Saturated steam								
	Superheated steam								
	Heat transfer oils								
Medium temperature	-10...130 °C	-10...150 °C		-20...220 °C ²⁾		-25...150 °C			
Also refer to page 51									
VVF42..K; VVF43..K; VVF53..K	-	- 5...150 °C		-5...220 °C		-			
Rangeability S_v									
DN 15, $k_{vs} \leq 1.25$	-	-	-	-	> 50	> 50	> 50		
DN 15, $k_{vs} > 1.6$	-	> 50	-	-	-	> 50	> 50		
DN 20	-	-	> 50	-	-	> 100	> 100		
DN 25	> 50	> 50	-	-	-	> 100	> 100		
DN 32	-	-	-	-	-	> 100	> 100		
DN 40	-	-	-	-	-	> 100	> 100		
DN 50	> 100	> 100	> 100	> 100	> 100	-	-		
DN 65	-	-	-	-	-	-	-		
DN 80	-	-	-	-	-	-	-		
DN 100	-	-	-	-	-	-	-		
DN 125	-	-	-	-	-	-	-		
DN 150	-	-	-	-	-	-	-		
Nominal stroke									
DN 15	-	20 mm	-	-	-	20 mm	20 mm	20 mm	
DN 20	-	-	-	-	-	20 mm	20 mm	20 mm	
DN 25	20 mm	20 mm	-	-	-	20 mm	20 mm	20 mm	
DN 32	-	-	20 mm	-	-	20 mm	20 mm	20 mm	
DN 40	-	-	-	-	-	20 mm	20 mm	20 mm	
DN 50	20 mm	20 mm	-	-	-	20 mm	20 mm	20 mm	
DN 65	-	-	-	-	-	20 mm	20 mm	20 mm	
DN 80	-	-	-	-	-	20 mm	20 mm	20 mm	
DN 100	40 mm	40 mm	40 mm	40 mm	40 mm	40 mm	-	-	
DN 125	-	40 mm	40 mm	40 mm	40 mm	40 mm	-	-	
DN 150	-	-	-	-	-	40 mm	40 mm	40 mm	

		V..F22..	V..F32..	V..F42..	V..F43..	V..F53..	V..G41..	V..I41..	
Materials	Valve body	Grey cast iron EN-GJL-250			Spheroidal cast iron EN-GJS-400-18-LT		Bronze CuSn5Zn5 Pb2	Bronze CC491K (Rg5)	
	Blank flange VVF..	S235JRG2			P265GH		-		
	Blank fitting VVG41.. VVI41..	-			-		Malleable cast iron / Stainless steel	Brass	
	Valve stem	Stainless steel							
	Seat	Machined			Stainless steel				
	Plug	Brass/ Bronze			Stainless steel				
	Packed gland	Brass			Stainless steel		Brass		
	Stem sealing gland ²⁾	EPDM O-rings, PTFE Washer, silicon-free-grease			FEPM-O-Ring, PTFE Washer, silicon-free- grease		EPDM-O-Ring, PTFE Washer, silicon-free-grease		
	Compensation sealing	Bronze, stainless steel, FEPM-O- Ring, silicon-free-grease			Stainless steel, FEPM- O-Ring, silicon-free- grease		-		
	Adapter ALF41B..	Steel S235JRG2							
Fittings ALG.. ALG..B	Malleable cast iron Brass								
Dimensions	-	See table on page 76							
Weight	-	See table on page 76							
Connections	Flanged	ISO 7005					-		
	Externally threaded	-					ISO 228-1	-	
	Internally threaded (ALG..)	-					ISO 7-1		
Environ- mental conditions	Operation	IEC 60721-3-3							
	Class	3K5, 3Z11							
	Temperature	-15...+55 °C							
	Rel. humidity	5...95 % r.h.							
	Storage	IEC 60721-3-1							
	Class	1K3 extended							
	Temperature	-15...+55 °C							
	Rel. humidity	5...95 % r.h.							
	Transport	IEC 60721-3-2							
Class	2K3, 2M2								
Temperature	-30...+65 °C								
Rel. humidity	< 95 % r.h.								
Stan- dards	Pressure Equipment Directive	PED 97/23/EC							
	Pressure equipment	according to Article 1, para. 2.1.4							
	Fluid group 2	PN 6	PN 10	PN 16	PN 25	PN 16			
	Without CE certification according to Article 3, paragraph 3 (sound engineering practice)	≤ DN 100	≤ DN 80	≤ DN 50	≤ DN 40	≤ DN 50			
	Category I, with CE certification	-	DN 100...150	DN 65...125	DN 50...100	-			
	Category II, with CE certification, NO. of notified body 0036	-	-	DN 150	DN 125...150	-			
	PN Class	ISO 7268							
	Operating pressure	ISO 7005, EN 12284							
	Face-to-Face dimensions Flanged vavles	EN 558-1, Reihe 1 (flange according to ISO 7005), without PN 6					-		
	Valve characteristic	VDI 2173							
Leakage rate	Two-port, bypass as per EN 60534-4 / EN 1349								
Water treatment	VDI 2035								
Environmental condition	Storage: IEC 60721-3-1 Transport: IEC 60721-3-2 Operation: IEC 60721-3-3								
Environmental compatibility	ISO 14001 (environmental) ISO 9001 (quality) SN 36350 (environmentally compatible products) RL 2002/95/EC (RoHS)								

¹⁾ For certain valve lines and high k_{vs} values, the valve characteristic is optimized for maximum volumetric flow k_{V100}

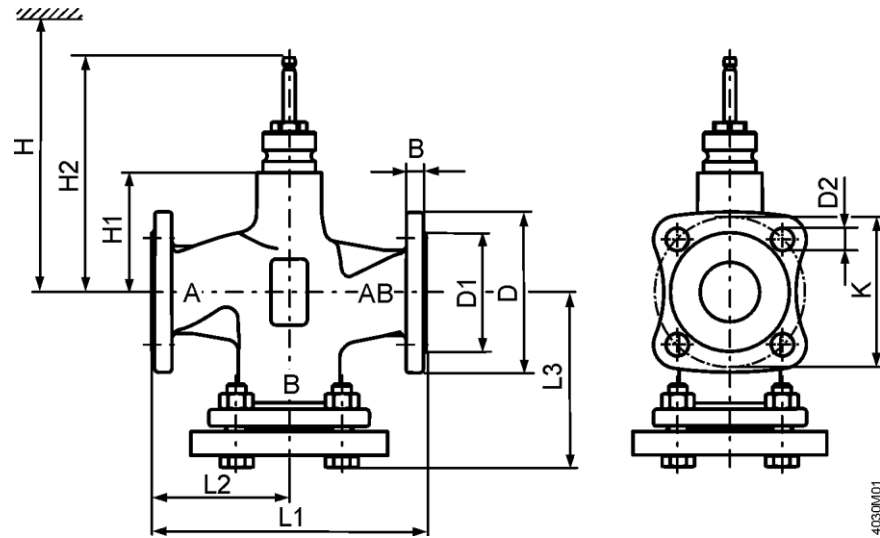
²⁾ For medium temperatures < -5 °C, the stem sealing gland must be replaced. The sealing gland must be ordered separately, stock number 4 284 8806 0.

6 Dimensions

Note

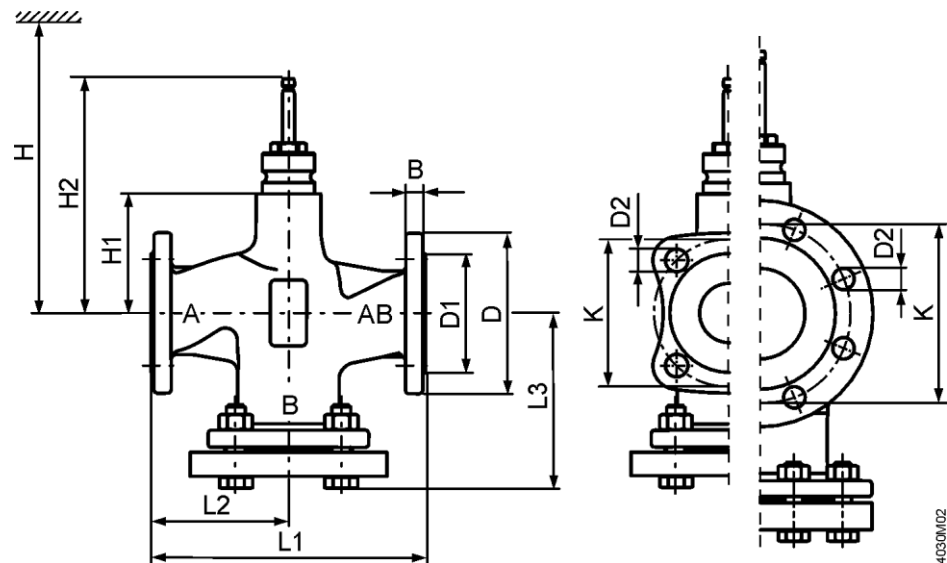
Dimensions in mm, weight in kg

VVF22..



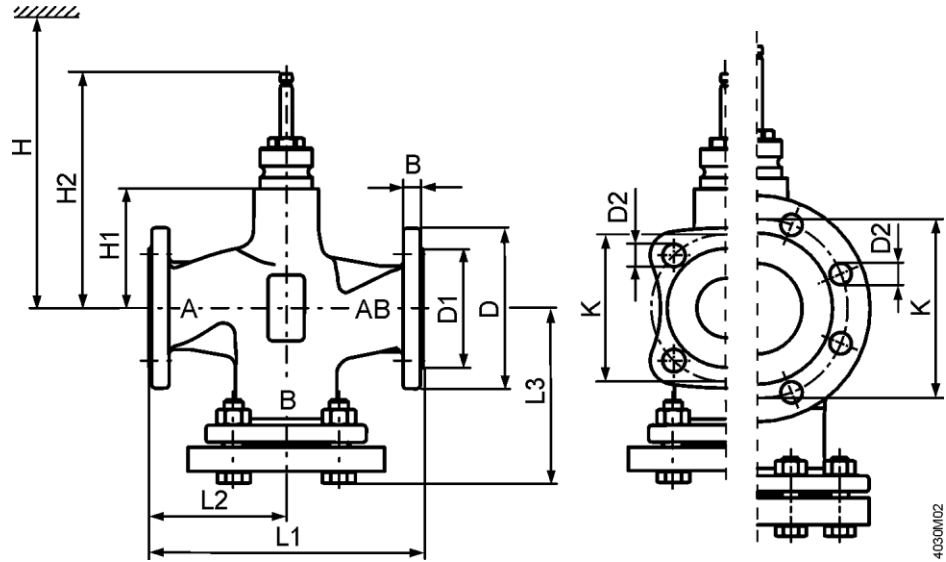
Product number	DN	kg	B	Ø D	Ø D1	Ø D2	L1	L2	L3	Ø K	H1	H2	H			
													SAX..	SKD..	SKB..	SKC..
VVF22..	25	4.1	11	100	58	11 (4x)	150	75	99	75	37	133.5	479	537	612	-
	40	6.5	13	130	78	14 (4x)	180	90	116	100	37	133.5	479	537	612	-
	50	8	14	140	88	14 (4x)	200	100	128	110	50	146.5	492	550	625	-
	65	11.9	14	160	108	14 (4x)	240	120	142.5	130	75	171.5	517	575	650	-
	80	17.1	16	190	124	19 (4x)	260	130	157	150	75	171.5	517	575	650	-
	100	23.8	16	210	144	19 (4x)	300	150	179	170	110	226.5	-	-	-	685

VVF32..



Product number	DN	kg	B	Ø D	Ø D1	Ø D2	L1	L2	L3	Ø K	H1	H2	H			
													SAX..	SKD..	SKB..	SKC..
VVF32..	15	3.7	14	95	46	14 (4x)	130	65	86	65	37	133.5	479	537	612	-
	20	-	-	-	-	-	-	-	-	-	-	-	-	-	-	-
	25	5.4	15	115	65	14 (4x)	160	80	104	85	37	133.5	479	537	612	-
	32	-	-	-	-	-	-	-	-	-	-	-	-	-	-	-
	40	9.3	16	150	84	19 (4x)	200	100	126	110	37	133.5	479	537	612	-
	50	12.2	16	165	99	19 (4x)	230	115	143	125	50	146.5	492	550	625	-
	65	17	17	185	118	19 (4x)	290	145	173	145	75	171.5	517	575	650	-
	80	25	17	200	132	19 (8x)	310	155	185	160	75	171.5	517	575	650	-
	100	35.7	17	220	156	19 (8x)	350	175	205	180	110	226.5	-	-	-	685
	125	52.5	17	250	184	19 (8x)	400	200	232	210	123	239.5	-	-	-	698
	150	74.3	17	284	211	23 (8x)	480	240	275	240	150.5	267	-	-	-	726

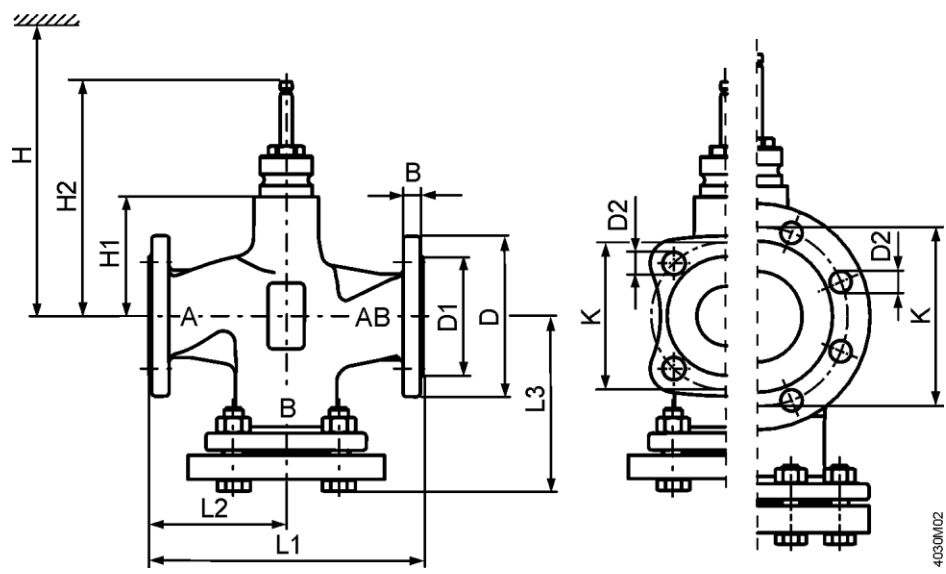
VVF42..



4030M02

Product number	DN	kg	B	Ø D	Ø D1	Ø D2	L1	L2	L3	Ø K	H1	H2	H			
													SAX..	SKD..	SKB..	SKC..
VVF42..	15	3.7	14	95	46	14 (4x)	130	65	86	65	37	133.5	479	537	612	-
	20	4.7	16	105	56	14 (4x)	150	75	97	75	37	133.5	479	537	612	-
	25	5.4	15	115	65	14 (4x)	160	80	106.5	85	37	133.5	479	537	612	-
	32	8.4	17	140	76	19 (4x)	180	90	119	100	37	133.5	479	537	612	-
	40	9.3	16	150	84	19 (4x)	200	100	126	110	37	133.5	479	537	612	-
	50	12.2	16	165	99	19 (4x)	230	115	144	125	50	146.5	492	550	625	-
	65	17	17	185	118	19 (4x)	290	145	174	145	75	171.5	517	575	650	-
	80	25	17	200	132	19 (8x)	310	155	186	160	75	171.5	517	575	650	-
	100	35.7	17	220	156	19 (8x)	350	175	205	180	110	226.5	-	-	-	685
	125	52.5	17	250	184	19 (8x)	400	200	233	210	123	239.5	-	-	-	698
150	74.3	17	284	211	23 (8x)	480	240	275.5	240	150.5	267	-	-	-	726	

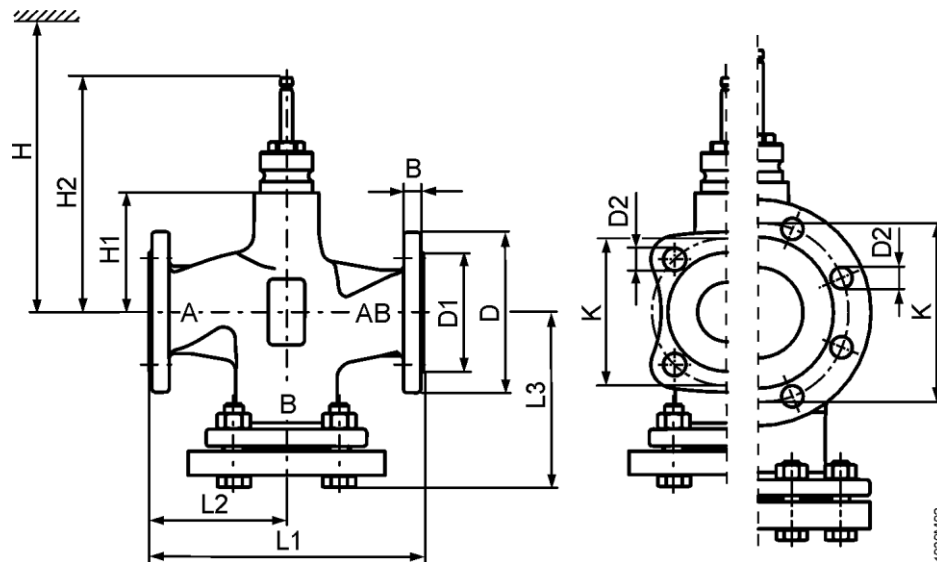
VVF43..
VVF43..K



4030M02

Product number	DN	kg	B	Ø D	Ø D1	Ø D2	L1	L2	L3	Ø K	H1	H2	H			
													SAX..	SKD..	SKB..	SKC..
VVF43..	65	21.8	17	185	118	19 (4x)	290	145	178	145	115	231.5	-	-	-	690
	80	27.7	17	200	132	19 (8x)	310	155	190	160	115	231.5	-	-	-	690
	100	33.6	17	220	156	19 (8x)	350	175	206	180	146	262.5	-	-	-	721
	125	50	17	250	184	19 (8x)	400	200	233	210	159	275.5	-	-	-	734
	150	66.3	17	284	211	23 (8x)	480	240	275.5	240	186.5	303	-	-	-	762
VVF43..K	65	22.0	17	185	118	19 (4x)	290	145	178	145	115	231.5	-	-	-	690
	80	27.9	17	200	132	19 (8x)	310	155	190	160	115	231.5	-	-	-	690
	100	33.9	17	220	156	19 (8x)	350	175	206	180	146	262.5	-	-	-	721
	125	46.9	17	250	184	19 (8x)	400	200	233	210	159	275.5	-	-	-	734
	150	67.7	17	284	211	23 (8x)	480	240	275.5	240	186.5	303	-	-	-	762

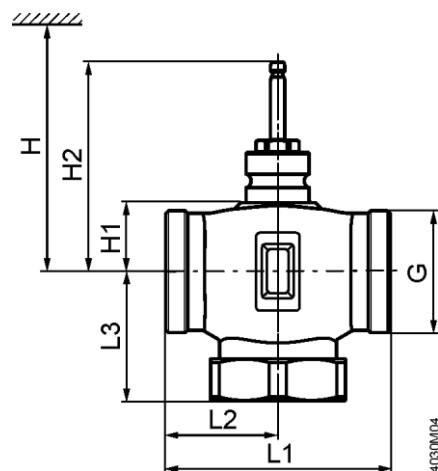
VVF53..
VVF53..K



4030M02

Product number	DN	kg	B	Ø D	Ø D1	Ø D2	L1	L2	L3	Ø K	H1	H2	H			
													SAX..	SKD..	SKB..	SKC..
VVF53..	15	4.2	14	95	46	14 (4x)	130	65	87.5	65	63	159.5	505	563	638	-
	20	5.4	16	105	56	14 (4x)	150	75	99.5	75	63	159.5	505	563	638	-
	25	6.1	15	115	65	14 (4x)	160	80	104.5	85	63	159.5	505	563	638	-
	32	8.8	17	140	76	19 (4x)	180	90	119	100	60	156.5	502	560	635	-
	40	10.2	16	150	84	19 (4x)	200	100	129	110	60	156.5	502	560	635	-
	50	13.7	16	165	99	19 (4x)	230	115	146	125	100	196.5	542	600	675	-
	65	22.2	17	185	118	19 (8x)	290	145	178	145	115	231.5	-	-	-	690
	80	27.7	17	200	132	19 (8x)	310	155	190	160	115	231.5	-	-	-	690
	100	38.6	17	235	156	23 (8x)	350	175	212.5	190	146	262.5	-	-	-	721
	125	54.4	17	270	184	28 (8x)	400	200	242	220	159	275.5	-	-	-	734
150	74.3	17	297	211	28 (8x)	480	240	284	250	186.5	303	-	-	-	762	
VVF53..K	50	13.6	16	165	99	19 (4x)	230	115	146	125	100	196.5	542	600	675	-
	65	22.3	17	185	118	19 (8x)	290	145	178	145	115	231.5	-	-	-	690
	80	27.9	17	200	132	19 (8x)	310	155	190	160	115	231.5	-	-	-	690
	100	39.0	17	235	156	23 (8x)	350	175	212.5	190	146	262.5	-	-	-	721
	125	54.4	17	270	184	28 (8x)	400	200	242	220	159	275.5	-	-	-	734
150	75.8	17	297	211	28 (8x)	480	240	284	250	186.5	303	-	-	-	762	

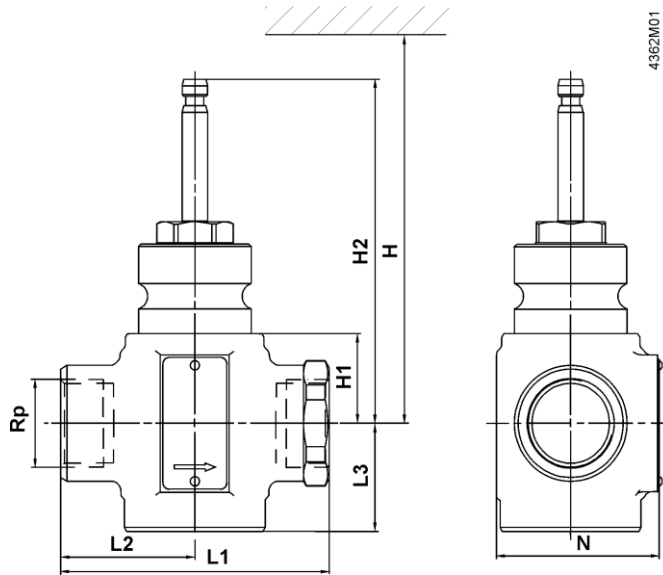
VVG41..



4030M04

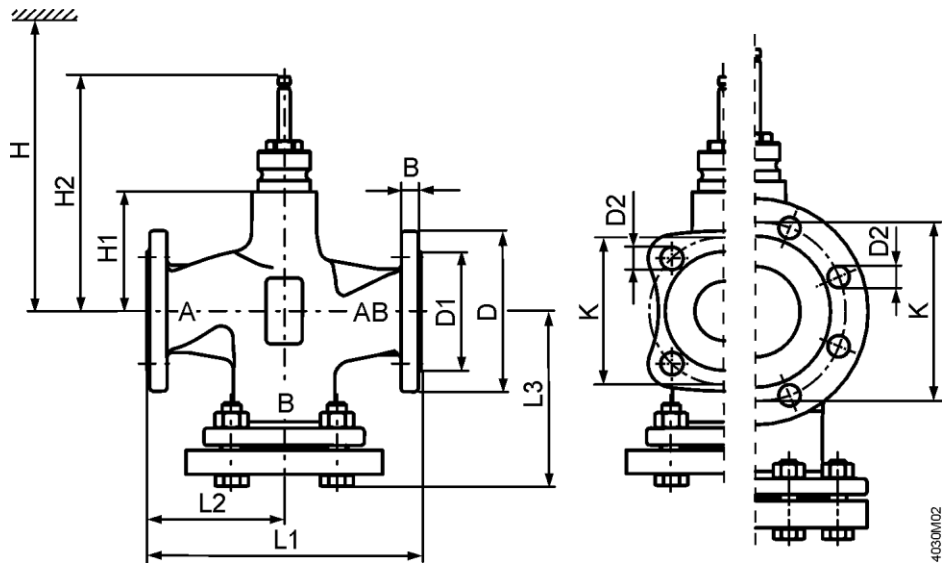
Product number	DN	kg	G	L1	L2	L3	H1	H2	H		
									SAX..	SKD..	SKB..
VVG41..	15	1.25	G 1B	100	50	57	26	122,5	> 468	> 526	> 601
	20	1.3	G 1¼B								
	25	1.6	G 1½B	105	52.5	59	34	130,5	> 476	> 534	> 609
	32	2.2	G 2B			60					
	40	2.7	G 2¼B	150	75	83	46	142,5	> 488	> 546	> 621
	50	3.9	G 2½B								

VVI41..



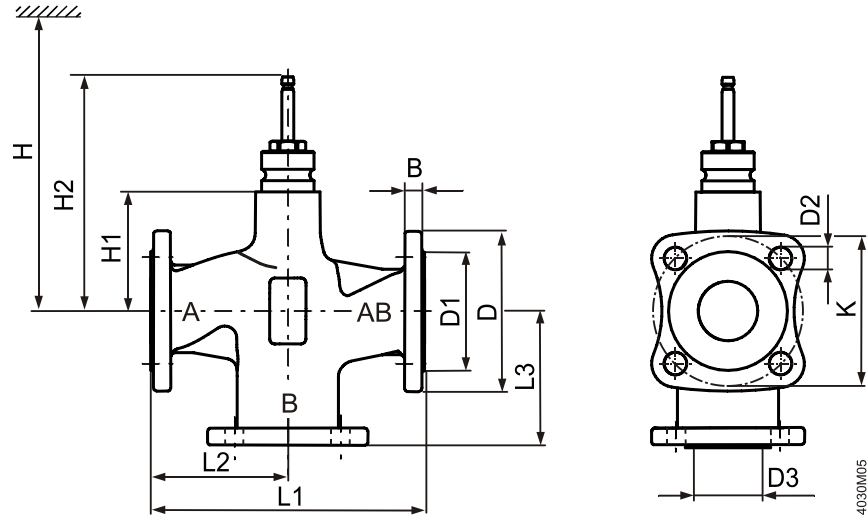
Product number	DN	G	G [Inch]	L1	L2	L3	H1	H2	H	
									SAX..	SKD..
VVI41..	15	1.3	Rp 1/2	90	45	40	26	122,5	> 468	> 526
	20	1.35	Rp 3/4							
	25	1.7	Rp 1	105	52.5	41	34	130,5	> 476	> 534
	32	2.1	Rp 1 1/4							
	40	2.75	Rp 1 1/2	130	65	46	46	142,5	> 488	> 546
	50	3.7	Rp 2							

VVF42..K



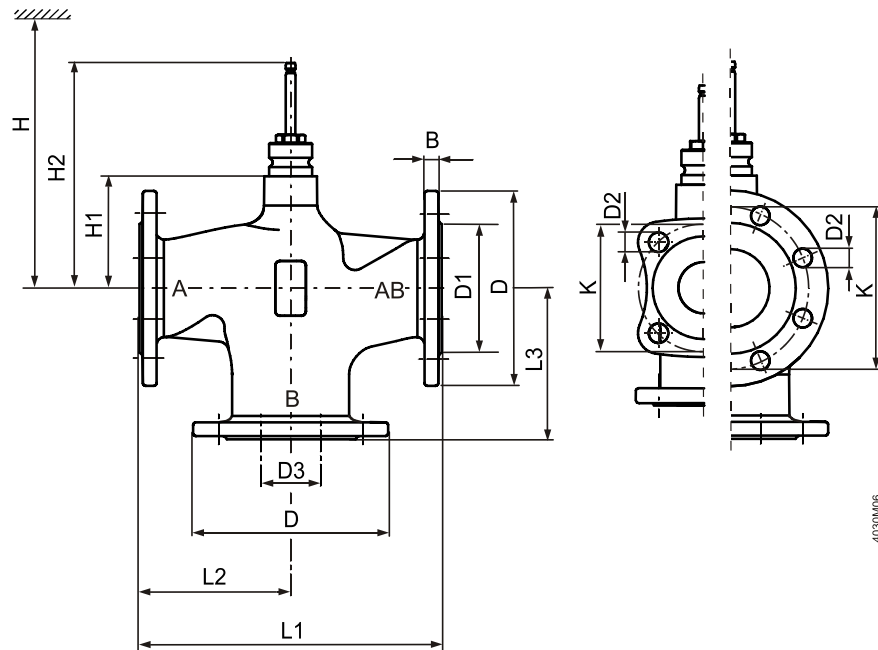
Product number	DN	G	B	Ø D	Ø D1	Ø D2	L1	L2	L3	Ø K	H1	H2	H			
													SAX..	SKD..	SKB..	SKC..
VVF42..K	50	12.3	16	165	99	19 (4x)	230	115	144	125	50	146.5	492	550	625	-
	65	17.5	17	185	118	19 (4x)	290	145	174	145	75	171.5	517	575	650	-
	80	25.6	17	200	132	19 (8x)	310	155	186	160	75	171.5	517	575	650	-
	100	35.9	17	220	156	19 (8x)	350	175	206	180	110	226.5	-	-	-	685
	125	52.3	17	250	184	19 (8x)	400	200	233	210	123	239.5	-	-	-	698
	150	76.3	17	284	211	23 (8x)	480	240	275.5	240	150.5	267	-	-	-	726

VXF22..



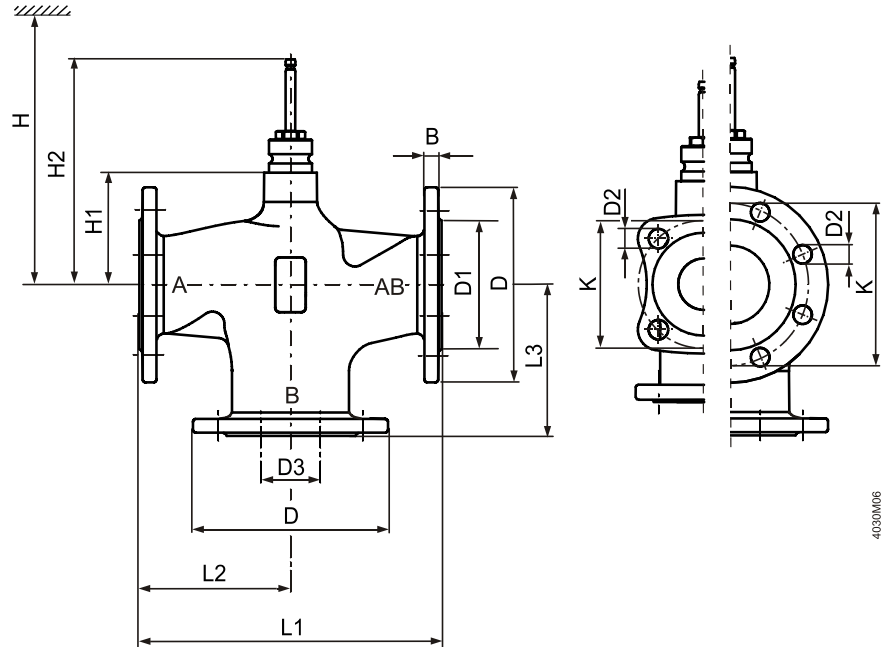
Product number	DN	kg	B	Ø D	Ø D1	Ø D2	Ø D3	L1	L2	L3	Ø K	H1	H2	H			
														SAX..	SKD..	SKB..	SKC..
VXF22..	25	3.1	11	100	58	11 (4x)	36	150	75	75	75	37	133.5	479	537	612	-
	40	4.9	13	130	78	14 (4x)	52	180	90	90	100	37	133.5	479	537	612	-
	50	6.2	14	140	88	14 (4x)	65	200	100	100	110	50	146.5	492	550	625	-
	65	9.5	14	160	108	14 (4x)	85	240	120	120	130	75	171.5	517	575	650	-
	80	13.1	16	190	124	19 (4x)	98	260	130	130	150	75	171.5	517	575	650	-
100	19	16	210	144	19 (4x)	116	300	150	150	170	110	226.5	-	-	-	685	

VXF32..



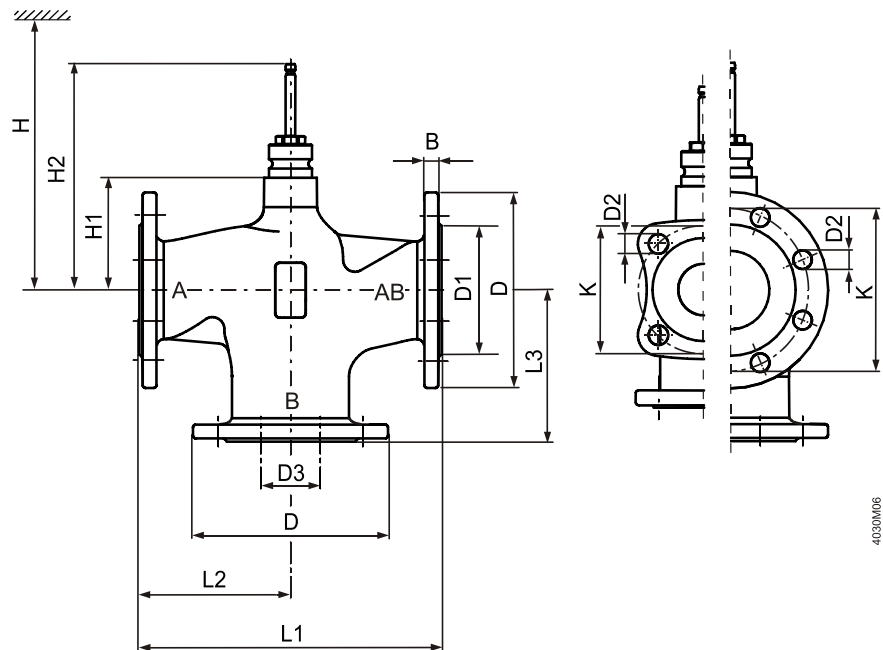
Product number	DN	kg	B	Ø D	Ø D1	Ø D2	Ø D3	L1	L2	L3	Ø K	H1	H2	H			
														SAX..	SKD..	SKB..	SKC..
VXF32..	15	2.6	14	95	46	14 (4x)	23	130	65	65	65	37	133.5	479	537	612	-
	20	-	-	-	-	-	-	-	-	-	-	-	-	-	-	-	-
	25	3.8	15	115	65	14 (4x)	36	160	80	80	85	37	133.5	479	537	612	-
	32	-	-	-	-	-	-	-	-	-	-	-	-	-	-	-	-
	40	6.3	16	150	84	19 (4x)	56	200	100	100	110	37	133.5	479	537	612	-
	50	8.7	16	165	99	19 (4x)	69	230	115	115	125	50	146.5	492	550	625	-
	65	12.9	17	185	118	19 (4x)	85	290	145	145	145	75	171.5	517	575	650	-
	80	19.2	17	200	132	19 (8x)	102	310	155	155	160	75	171.5	517	575	650	-
	100	28.8	17	220	156	19 (8x)	124	350	175	175	180	110	226.5	-	-	-	685
	125	43.2	17	250	184	19 (8x)	149	400	200	200	210	123	239.5	-	-	-	698
	150	61.5	17	284	211	23 (8x)	174	480	240	240	240	150.5	267	-	-	-	726

VXF42..



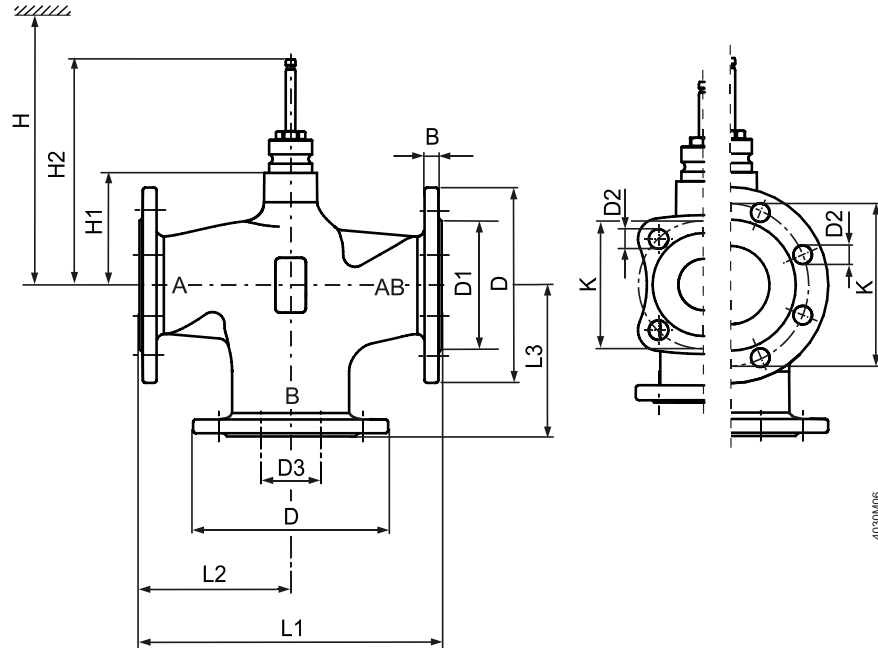
Product number	DN	kg	B	Ø D	Ø D1	Ø D2	Ø D3	L1	L2	L3	Ø K	H1	H2	H			
														SAX..	SKD..	SKB..	SKC..
VXF42..	15	2.6	14	95	46	14 (4x)	23	130	65	65	65	37	133.5	479	537	612	-
	20	3.3	16	105	56	14 (4x)	29	150	75	75	75	37	133.5	479	537	612	-
	25	3.8	15	115	65	14 (4x)	36	160	80	80	85	37	133.5	479	537	612	-
	32	5.7	17	140	76	19 (4x)	46	180	90	90	100	37	133.5	479	537	612	-
	40	6.3	16	150	84	19 (4x)	56	200	100	100	110	37	133.5	479	537	612	-
	50	8.7	16	165	99	19 (4x)	69	230	115	115	125	50	146.5	492	550	625	-
	65	12.9	17	185	118	19 (4x)	85	290	145	145	145	75	171.5	517	575	650	-
	80	19.2	17	200	132	19 (8x)	102	310	155	155	160	75	171.5	517	575	650	-
	100	28.8	17	220	156	19 (8x)	124	350	175	175	180	110	226.5	-	-	-	685
	125	43.2	17	250	184	19 (8x)	149	400	200	200	210	123	239.5	-	-	-	698
150	61.5	17	284	211	23 (8x)	174	480	240	240	240	150.5	267	-	-	-	726	

VXF43..



Product number	DN	kg	B	Ø D	Ø D1	Ø D2	Ø D3	L1	L2	L3	Ø K	H1	H2	H			
														SAX..	SKD..	SKB..	SKC..
VXF43..	65	17.1	17	185	118	19 (4x)	86	290	145	145	145	115	231.5	-	-	-	690
	80	21.2	17	200	132	19 (8x)	100	310	155	155	160	115	231.5	-	-	-	690
	100	27.1	17	220	156	19 (8x)	123	350	175	175	180	146	262.5	-	-	-	721
	125	37.1	17	250	184	19 (8x)	149	400	200	200	210	159	275.5	-	-	-	734
	150	54.5	17	284	211	23 (8x)	174	480	240	240	240	186.5	303	-	-	-	762

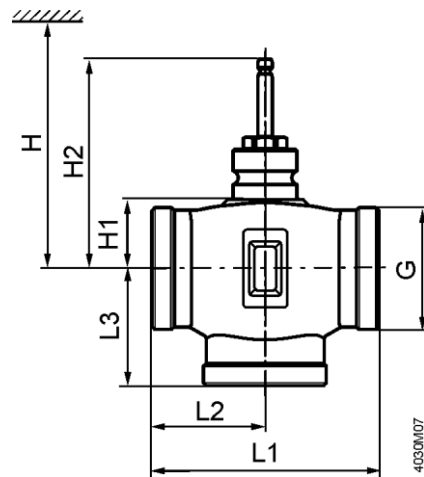
VXF53..



4030M06

Product number	DN	kg	B	Ø D	Ø D1	Ø D2	Ø D3	L1	L2	L3	Ø K	H1	H2	H			
														SAX..	SKD..	SKB..	SKC..
VXF53..	15	3.2	14	95	46	14 (4x)	25	130	65	65	65	63	159.5	505	563	638	-
	20	4.1	16	105	56	14 (4x)	35	150	75	75	75	63	159.5	505	563	638	-
	25	4.6	15	115	65	14 (4x)	38	160	80	80	85	63	159.5	505	563	638	-
	32	6.1	17	140	76	19 (4x)	46	180	90	90	100	60	156.5	502	560	635	-
	40	7.2	16	150	84	19 (4x)	57	200	100	100	110	60	156.5	502	560	635	-
	50	9.8	16	165	99	19 (4x)	69	230	115	115	125	100	196.5	542	600	675	-
	65	16.8	17	185	118	19 (8x)	86	290	145	145	145	115	231.5	-	-	-	690
	80	21.2	17	200	132	19 (8x)	100	310	155	155	160	115	231.5	-	-	-	690
	100	29	17	235	156	23 (8x)	123	350	175	175	190	146	262.5	-	-	-	721
	125	39.7	17	270	184	28 (8x)	149	400	200	200	220	159	275.5	-	-	-	734
	150	57	17	297	211	28 (8x)	174	480	240	240	250	186.5	303	-	-	-	762

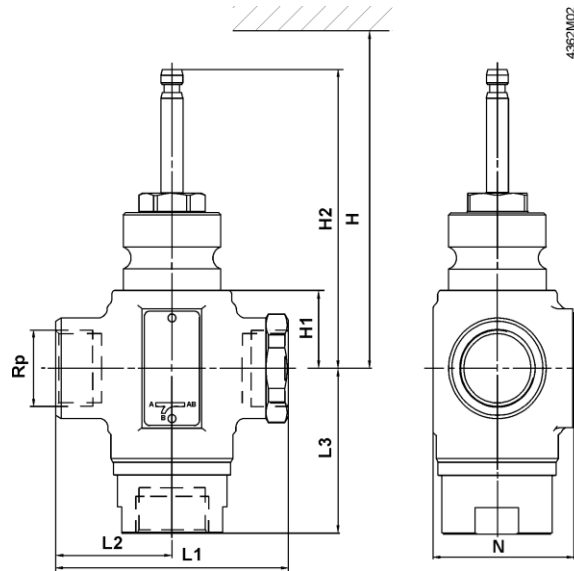
VXG41..



4030M07

Product number	DN	kg	G	L1	L2	L3	H1	H2	H		
									SAX..	SKD..	SKB..
VXG41..	15	1.3	G 1B	100	50	50	26	122.5	> 468	> 526	> 601
	20	1.42	G 1½B								
	25	1.65	G 1½B	105	52.5	52.5	34	130.5	> 476	> 534	> 609
	32	2.1	G 2B								
	40	2.8	G 2½B								
50	3.9	G 2¾B	150	75	75	46	142.5	> 488	> 546	> 621	

VXI41..



Product number	DN	G	G [Inch]	L1	L2	L3	H1	H2	H	
									SAX..	SKD..
VVI41..	15	1.5	Rp ½	90	45	68	26	122.5	> 468	> 526
	20	1.6	Rp ¾			69				
	25	2.1	Rp 1	105	52.5	73.5	34	130.5	> 476	> 534
	32	2.3	Rp 1¼	115	57.5	74				
	40	3.1	Rp 1½	130	65	84	46	142.5	> 488	> 546

7 Revision numbers

VVF..

Product number	Valid from rev. no.	Product number	Valid from rev. no.	Product number	Valid from rev. no.
VVF22.25-2.5	..A	VVF53.15-0.16	..A		
VVF22.25-4	..A	VVF53.15-0.2	..A		
VVF22.25-6.3	..A	VVF53.15-0.25	..A		
VVF22.25-10	..A	VVF53.15-0.32	..A		
VVF22.40-16	..A	VVF53.15-0.4	..A		
VVF22.40-25	..A	VVF53.15-0.5	..A		
VVF22.50-40	..A	VVF53.15-0.63	..A		
VVF22.65-63	..A	VVF53.15-0.8	..A		
VVF22.80-100	..A	VVF53.15-1	..A		
VVF22.100-160	..A	VVF53.15-1.25	..A		
		VVF53.15-1.6	..A		
VVF32.15-1.6	..A	VVF53.15-2	..A		
VVF32.15-2.5	..A	VVF53.15-2.5	..A		
VVF32.15-4	..A	VVF53.15-3.2	..A		
VVF32.25-6.3	..A	VVF53.15-4	..A		
VVF32.25-10	..A	VVF53.20-6.3	..A		
VVF32.40-16	..A	VVF53.25-5	..A		
VVF32.40-25	..A	VVF53.25-6.3	..A		
VVF32.50-40	..A	VVF53.25-8	..A		
VVF32.65-63	..A	VVF53.25-10	..A		
VVF32.80-100	..A	VVF53.32-16	..A		
VVF32.100-160	..A	VVF53.40-12.5	..A		
VVF32.125-250	..A	VVF53.40-16	..A		
VVF32.150-400	..A	VVF53.40-20	..A		
		VVF53.40-25	..A		
VVF42.15-1.6	..A	VVF53.50-31.5	..A		
VVF42.15-2,5	..A	VVF53.50-40	..A		
VVF42.15-4	..A	VVF53.65-63	..C		
VVF42.20-6.3	..A	VVF53.80-100	..C		
VVF42.25-6.3	..A	VVF53.100-160	..C		
VVF42.25-10	..A	VVF53.125-250	..C		
VVF42.32-16	..A	VVF53.150-400	..C		
VVF42.40-16	..A				
VVF42.40-25	..A	VVF53.50-40K	..B		
VVF42.50-31.5	..A	VVF53.65-63K	..B		
VVF42.50-40	..A	VVF53.80-100K	..B		
VVF42.65-50	..A	VVF53.100-150K	..B		
VVF42.65-63	..A	VVF53.125-220K	..B		
VVF42.80-80	..A	VVF53.150-315K	..B		
VVF42.80-100	..A				
VVF42.100-125	..A				
VVF42.100-160	..A				
VVF42.125-200	..A				
VVF42.125-250	..A				
VVF42.150-300	..A				
VVF42.150-400	..A				
VVF42.50-40K	..A				
VVF42.65-63K	..A				
VVF42.80-100K	..A				
VVF42.100-160K	..A				
VVF42.125-250K	..A				
VVF42.150-360K	..A				
VVF43.65-50	..B				
VVF43.65-63	..B				
VVF43.80-80	..B				
VVF43.80-100	..B				
VVF43.100-125	..B				
VVF43.100-160	..B				
VVF43.125-200	..B				
VVF43.125-250	..B				
VVF43.150-315	..B				
VVF43.150-400	..B				
VVF43.65-63K	..B				
VVF43.80-100K	..B				
VVF43.100-150K	..B				
VVF43.125-220K	..B				
VVF43.150-315K	..B				

VXF..

Product number	Valid from rev. no.	Product number	Valid from rev. no.	Product number	Valid from rev. no.
VXF22.25-2.5	..A	VXF43.65-63	..A		
VXF22.25-4	..A	VXF43.80-100	..A		
VXF22.25-6.3	..A	VXF43.100-160	..A		
VXF22.25-10	..A	VXF43.125-250	..A		
VXF22.40-16	..A	VXF43.150-400	..A		
VXF22.40-25	..A				
VXF22.50-40	..A	VXF53.15-1.6	..A		
VXF22.65-63	..A	VXF53.15-2.5	..A		
VXF22.80-100	..A	VXF53.15-4	..A		
VXF22.100-160	..A	VXF53.20-6.3	..A		
		VXF53.25-6.3	..A		
VXF32.15-1.6	..A	VXF53.25-10	..A		
VXF32.15-2.5	..A	VXF53.32-16	..A		
VXF32.15-4	..A	VXF53.40-16	..A		
VXF32.25-6.3	..A	VXF53.40-25	..A		
VXF32.25-10	..A	VXF53.50-40	..A		
VXF32.40-16	..A	VXF53.65-63	..A		
VXF32.40-25	..A	VXF53.80-100	..A		
VXF32.50-40	..A	VXF53.100-160	..A		
VXF32.65-63	..A	VXF53.125-250	..A		
VXF32.80-100	..A	VXF53.150-400	..A		
VXF32.100-160	..A				
VXF32.125-250	..A				
VXF32.150-400	..A				
VXF42.15-1.6	..A				
VXF42.15-2.5	..A				
VXF42.15-4	..A				
VXF42.20-6.3	..A				
VXF42.25-6.3	..A				
VXF42.25-10	..A				
VXF42.32-16	..A				
VXF42.40-16	..A				
VXF42.40-25	..A				
VXF42.50-31.5	..A				
VXF42.50-40	..A				
VXF42.65-50	..A				
VXF42.65-63	..A				
VXF42.80-80	..A				
VXF42.80-100	..A				
VXF42.100-125	..A				
VXF42.100-160	..A				
VXF42.125-200	..A				
VXF42.125-250	..A				
VXF42.150-300	..A				
VXF42.150-400	..A				

VVG41..., VXG41..

Product number	Valid from rev. no.	Product number	Valid from rev. no.	Product number	Valid from rev. no.
		VVG41.11	..A		
		VVG41.12	..A		
VXG41.1301	..A	VVG41.13	..A		
VXG41.1401	..A	VVG41.14	..A		
VXG41.15	..A	VVG41.15	..A	VXG41.1501	..B
VXG41.20	..A	VVG41.20	..A	VXG41.2001	..B
VXG41.25	..A	VVG41.25	..A	VXG41.2501	..B
VXG41.32	..A	VVG41.32	..A	VXG41.3201	..B
VXG41.40	..A	VVG41.40	..A	VXG41.4001	..B
VXG41.50	..A	VVG41.50	..A	VXG41.5001	..B

VVI41..., VXI41..

Product number	Valid from rev. no.	Product number	Valid from rev. no.
C/VVI41.15-2.5	..A	C/VXI41.15-2.5	..A
C/VVI41.15-4	..A	C/VXI41.15-4	..A
C/VVI41.20-6.3	..A	C/VXI41.20-6.3	..A
C/VVI41.25-10	..A	C/VXI41.25-10	..A
C/VVI41.32-16	..A	C/VXI41.32-16	..A
C/VVI41.40-25	..A	C/VXI41.40-25	..A
C/VVI41.50-40	..A	C/VXI41.50-40	..A

8 Addendum

8.1.1 Abbreviations

Abbreviation	Unit	Term	Explanation
c	[kJ/kgK]	Specific heat capacity	See "Specific heat capacity", page 87
DN	-	Nominal size	Characteristic for matching parts of a piping system
F_R	-	Correction factor	Factor for impact of valve's Reynolds number
H	[mm]	Stroke	Travel of valve or actuator stem
H_0	[m]	Shutoff head	Pump head when medium is supplied. The head generated by a pump when the valve is fully closed
k_v	[m ³ /h]	Nominal flow	Amount of cold water (5...30 °C) passing through the valve at the respective stroke and at a differential pressure of 100 kPa (1 bar)
k_{vr}	[m ³ /h]	-	Smallest volumetric flow that can be controlled, that is, when the valve starts to open (opening step)
k_{vs}	[m ³ /h]	Nominal flow	Nominal flow rate of cold water (5...30 °C) through the fully open valve (H_{100}) at a differential pressure of 100 kPa (1 bar)
m	[kg/h]	Mass flow Steam mass flow	-
PN	-	PN class	Characteristic relating to the combination of mechanical and dimensional properties of a component in a piping system
P_v	-	Valve authority	See "Valve authority P_v ", page 87
Q_{100}	[kW]	Rated capacity	Design capacity of plant
Q_{min}	[kW]		Smallest output of a consumer that can be controlled in modulating mode
r_{p1}	[kJ/kgK]		Specific heat capacity of steam
S_v	-	Rangeability	See "Rangeability S_v ", page 87
V_{100}	[m ³ /h], [l/s]	Volumetric flow	Volume per unit of time through the fully open valve (H_{100})
ρ	[kg/m ³]	Density	Mass per volume
ν	[mm ² /s], [cSt]	Kinematic viscosity	1 mm ² /s = 1 cSt (centistoke), also refer to 2.8.3.3 Kinematic viscosity ν , page 38
Δp	[kPa]	Differential pressure	Pressure difference between plant sections
Δp_{max}	[kPa]	Max. differential pressure	Maximum permissible differential pressure across the valve's throughport (control path) for the entire positioning range of the motorized valve
Δp_{MV}	[kPa]	-	Differential pressure across the section with variable flow
Δp_s	[kPa]	Closing pressure	Maximum permissible differential pressure at which the motorized valve still closes securely against the pressure
Δp_{v0}	[kPa]	-	Maximum differential pressure across the valve's fully closed throughport (control path)
Δp_{V100}	[kPa]	Differential pressure at nominal flow rate	Differential pressure across the fully open valve and the valve's throughport A – AB at the volumetric flow V_{100}
Δp_{VR}	[kPa]	-	Differential pressure of flow and return
ΔT	[K]	Temperature spread	Temperature difference of flow and return

8.1.2 Important formulas

Value	Formula	Unit	
Differential pressure Δp_{V100} across the fully open valve	$\Delta p_{V100} = 100 \cdot \left(\frac{\dot{V}_{100}}{k_{vs}} \right)^2$	[kPa]	
Rangeability S_V	$S_V = \frac{k_{vs}}{k_{vr}}$	-	
Valve authority P_V	Header with pressure, variable volumetric flow $P_V = \frac{\Delta p_{V100}}{\Delta p_{VR}}$	<ul style="list-style-type: none"> Header with pressure, constant volumetric flow Header with low differential pressure, variable volumetric flow $P_V = \frac{\Delta p_{V100}}{\Delta p_{V100} + \Delta p_{MV}}$	-
Volumetric flow V_{100}	Water without antifreeze $\dot{V}_{V100} = \frac{Q_{V100}}{1,163 \cdot \Delta T}$	Water with antifreeze $\dot{V}_{V100} = \frac{Q_{V100} \cdot 3600}{c \cdot \rho \cdot \Delta T}$	[m ³ /h]

8.1.3 Valve-related glossary

DIN EN 14597	Standard on temperature controls and temperature limiters for use in heat generating plants. This standard also covers actuating equipment (actuating devices) with safety function for temperature and pressure limitation as per DIN EN 14597
HIT	The HVAC Integrated Tool (HIT) supports sizing and selection of valves for water with antifreeze (www.siemens.com/hit)
Actuating device	Combination of valve and actuator
Rangeability S_V	Characteristic of an actuating device, used to assess the device's controllable range; ratio of the nominal flow rate k_{vs} to the smallest controllable flow k_{vr}
Valve authority P_V	Ratio of the differential pressure across the fully open valve (H_{100}) to the differential pressure across the valve plus that of the pipe section with variable volume. To ensure correct control, the valve authority must be a minimum of 0.25
Specific heat capacity	The specific heat capacity is the amount of heat required to heat the mass of 1 kg of a substance by 1 K. It increases as the temperature of the substance rises; in the case of gases, also as the pressure of the substance rises. Therefore, with gases, a distinction is made between c_p , the specific heat at a constant pressure, and c_v , the specific heat at a constant volume

8.1.4 Hydraulics-related glossary

Film temperature	Temperature of the valve surfaces that are in contact with the heat transfer oil at which the oil starts to disintegrate
Cavitation	Due to high speeds of the medium in the narrowest section of the valve, local underpressure occurs. If this pressure drops below the medium's boiling pressure, cavitation occurs (steam bubbles), possibly leading to material removal (abrasion). Also, when cavitation starts, the noise level increases abruptly. Cavitation can be avoided by limiting the pressure differential across the valve as a function of the medium temperature and the prepressure. For more detailed information, refer to "2.13 Cavitation", page 56
Selection of valve characteristic	Certain types of Siemens actuators are equipped with DIL switches for the selection of a linear or an equal-percentage valve characteristic. The objective is to linearize the volumetric flow through the consumer and the valve
Closed circuit	The medium circulates in a closed hydraulic system with no contact to the atmosphere
Open circuit	The circulating medium is in contact with the atmosphere, that is, the hydraulic system is open to atmosphere (e.g. cooling towers with open tanks, or showers). Hence, the system can absorb oxygen from the surrounding air, which can lead to rust; in addition, more attention is to be paid to cavitation; for more information, refer to "2.13 Cavitation", page 56
Control stability	The stability of a closed control loop depends on the degree of difficulty S of the controlled system and the circuit amplification V_0 . For more detailed information, refer to the Siemens brochure "Control technology" (ordering no. 0-91913-en)
Return temperature T_{RL}	Temperature of the medium at which it returns from the consumer to the heat or cooling source
Gravity circulation	The density of a medium depends on its temperature. If a medium is hot in one place and cold in another, it starts to circulate due to different densities
Volumetric flow V	Volume of a medium that passes through an opening for a certain time
Flow temperature T_{VL}	Temperature of a heating or cooling medium at which it leaves its source to enter a hydraulic circuit
Selection of acting direction	Certain types of Siemens actuators are equipped with DIL switches for selection of the operating action of the respective valve (push to open, pull to open, normally open, normally closed). The objective is to drive the valve to the fully open or fully closed position should a power failure occur, depending on plant requirements
Forced control	If forced control is demanded, no consideration is given to any other control command. For example, if there is risk of frost, more heat is supplied to prevent freeze-ups

8.1.5 Media-related glossary

Enthalpy	Amount of energy contained in a thermodynamic system (heat content)
FDA	Food and Drug Administration (USA)
Saturated steam	Boundary between wet and superheated steam; Wet steam: Parts of the gaseous water condensate to become very fine droplets Superheated steam: "Dry" steam without water droplets
Brine	Solution consisting of salt and water
Heat transfer oil/thermal oil	Heat transfer fluid on the basis of mineral oil, synthetic, organic, or on the basis of silicon, uniform or mixed
Water	Chemical compound consisting of oxygen (O) and hydrogen (H). Also refer to VDI 2035 for information on avoiding damage to drinking and domestic hot water plants
Water with antifreeze	The water contains an antifreeze which also inhibits corrosion. For the types of antifreeze used in the trade, also refer to chapter "8.1.7 Overview of antifreeze and brines used in the trade", page 89
Glycol	Glycol is added to water to lower the water's melting point. Examples are ethylene glycol and propylene glycol. Refer to chapter "8.1.7 Overview of antifreeze and brines used in the trade", page 89
Water, deionized	The ions of salts contained in the water have been removed
Water, demineralized	The minerals contained in the water have been removed
Water, super-clean water	Specially treated water; various processes are used to remove dissolved salts and other undesirable substances. It has a high specific resistance and contains no organic substances

8.1.6 Trade names

Trademark	Legal owner
Acvatix	Siemens
Glythermin	BASF
Antifrogen, Protectogen	Clariant
Dowcal	Dow
Zitrec, Freezium	Arteco NV/SA
TYFOCOR, TYFOXIT	Tyforop Chemie GmbH
GLYKOSOL, PEKASOL, PEKASOLar	Glykol & Sole GmbH
Temper	Temper Technology

8.1.7 Overview of antifreeze and brines used in the trade

The list below is not exhaustive. It specifies manufacturer data and is not to be regarded as an official approval for Siemens products in the indicated temperature range. For temperature ranges of individual product lines, see chapter 2.12, page 50.

The notes given under "2.14 Medium quality and medium treatment", page 57 must also be observed.

	Supplier	Product number	Basic medium	Permissible limit weight fractions	Temperature range of medium	Usage
Water with antifreeze	BASF www.basf.com	Glythermin® NF	Heat transfer medium on the basis of ethylene glycol and inhibitors	-	-35...150 °C	No known restriction
		Glythermin® P 44-00	Basis: Propylene glycol plus anticorrosion additives	-	-50...150 °C	No known restriction
		Glythermin® P 44-92	Basis: Propylene glycol plus anticorrosion additives	-	-50...150 °C	No known restriction
		Glythermin® P 82-00	Heat transfer medium for solar plants on the basis of glycol and inhibitors	-	-27...170 °C	No known restriction
		Glystantin FC	Basis Ethylene glycol → Automobile applications, engine test bed	60 %	-40 °C...120 °C	No known restriction
	Clariant www.antifrogen.de	Antifrogen SOL	Basis: Propylene glycol and glycol with a higher boiling point plus anticorrosion additives. Ready to use, premixed with desalinated water (frost protection -27 °C)	Ready-to-use mixture	-27...170 °C	No known restriction
		Antifrogen KF	Basis: Potassium formate plus anticorrosion additives	50 %	-50...20 °C	Restricted - compatibility must be tested
		Antifrogen N	Basis: Monoethylene glycol plus anticorrosion additives	70 %	-35...150 °C	No known restriction
		Antifrogen L	Basis: Propylene glycol plus anticorrosion additives	100 %	-25...150 °C	No known restriction
	Dow www.dow.com/heattrans	Dowcal 10	Heat transfer medium on the basis of ethylene glycol and special inhibitor	-	-50...170 °C	No known restriction
		Dowcal 20	Heat transfer medium on the basis of propylene glycol for higher temperatures than other propylene glycol fluids	-	-45...160 °C	No known restriction
		Dowcal N	Heat transfer medium on the basis of propylene glycol with little acute toxicity if swallowed; widely used in the food and beverage industry and in other sectors to lower the freezing point	-	-45...120 °C	No known restriction
	Arteco NV/SA www.zitrec.com/	Zitrec MC	Multipurpose heat transfer medium on the basis of monoethylene glycol, mixed with an adequate amount of water	< 70 %	-55...120 °C	No known restriction
		Zitrec LC	Multipurpose heat transfer medium on the basis of monopropylene glycol, mixed with an adequate amount of water	< 70 %	-55...120 °C	No known restriction
		Zitrec FC	Multipurpose heat transfer medium on the basis of monopropylene glycol, mixed with an adequate amount of water; all substances contained in the medium are approved by FDA	< 70 %	-50...120 °C	No known restriction
		Zitrec S	Multipurpose heat transfer medium without glycol, on the basis of a substance consisting of potassium formate and sodium propionate	Ready-to-use mixture	-55...120 °C	Restricted - compatibility must be tested
	Tyforop Chemie GmbH www.tyfo.de/index_deutsch.html	TYFOCOR® L	Freezing and anticorrosion agent, safe with regard to health, specifically for keeping food cool and for solar plants, virtually odourless, hygroscopic liquid. It is based on propylene glycol, which poses no hazard to health and which may be used as a coolant or heat-transfer fluid in food processing and water purification applications.	-	-25...140 °C	Restricted - compatibility, especially with respect to soft solder - individual case must be tested
		TYFOCOR® HTL	Ready-to-use heat transfer medium for solar plants with higher thermal loads, clear, blue-green colored liquid with a faint odour and is based on 1,2-propylene glycol and polyethylene glycol.	-	...170 °C	Restricted - compatibility, especially with respect to soft solder - individual case must be tested
		TYFOCOR® LS	Special, ready-to-use heat transfer medium, evaporating without residue, for solar plants with high thermal loads (vacuum tube collectors); faint odour, based on physiologically unobjectionable propylene glycol, and water.	-	-25...170 °C	Restricted - compatibility, especially with respect to soft solder - individual case must be tested

Supplier	Product number	Basic medium	Permissible limit weight fractions	Temperature range of medium	Usage
	Tyfoacor	Clear, colorless, faint odour liquid, based on ethylene glycol.		-50...140 °C	Restricted - compatibility, especially with respect to soft solder - individual case must be tested
	Tyfoacor G-LS	Reversibly evaporable special heat-transfer fluid based on 1,2-propylene glycol, for use in solar thermal systems		...170 °C	Restricted - compatibility, especially with respect to soft solder - individual case must be tested
	TYFO-SPEZIAL	High-quality, powerful brine, specifically for use in earth linked thermal heat pump systems		-10...30 °C	Restricted - copper, brass and bronze material is not resistant, test sealing material in individual case
Glykol & Sole GmbH www.glykolundsole.com/	GLYKOSOL N	Yellowish fluid on the basis of monoethylene glycol for use as a heat transfer medium with highly efficient anticorrosion additives and hardness stabilizers; free from nitrite, amine and phosphate	25...40 %, depending on the application	-50...170 °C	No known restriction
	GLYKOSL WP	Based on Ethandiol 1,2 (ethyleneglycol)	-	-	Check permissibility in individual case
	PEKASOL 2000	Aqueous solution of environmentally safe alkaline earth formate and acetate. PEKASOL 2000 is free of amine, nitrite and phosphate.	-	-60...60 °C	Restricted - compatibility, especially with respect to soft solder and zinc - individual case must be tested
	PEKASOL L	Yellowish fluid on the basis of propylene glycol for use as a heat transfer medium with highly efficient anticorrosion additives and hardness stabilizers; free from nitrite, amine and phosphate	25...40 %, depending on the application	-50...185 °C	No known restriction
	PEKASOLar 100 PEKASOLar 50	PEKASOLar 100 and its dilutions are colorless and odorless liquids on basis of propylene glycol with newly developed additives New installations must be adequately cleaned before filling. Recommended is a 5 % pro KÜHLSOLE PEX 130 solution.	-	-50...150 °C	Restricted - compatibility, especially with respect to soft solder - individual case must be tested
Arteco NV/SA www.zitrec.com/Products_Freezium.htm	Freezium	Salt brine on the basis of potassium formate, specially developed for use in indirect cooling systems and heat pumps. Suitable for a temperature range from -60 to 95 °C	24 ..50 %	-60...35 °C	Restricted - individual case must be tested
Tyforop Chemie GmbH www.tyfo.de/index_deutsch.html	TYFOXIT®F15-F50	High-performance coolant on the basis of potassium formate (safe with regard to food). Available as a ready-to-use mixture in 6 variants (F15 - F50), cooling limits from -15 to -60 °C. Excellent flow properties at low temperatures, due to low viscosity	-	-60...100 °C	Restricted permissibility, more precise evaluations at 20...80 °C necessary (test soft solder in individual case)
	TYFOXIT® 1.25	High-performance coolant on the basis of potassium acetate (safe with regard to food). Supplied as a concentrate or ready-to-fill mixture and suited for use at temperatures down to -55 °C	-	-55...100 °C	Restricted permissibility, more precise evaluations at 20...80 °C necessary (test soft solder in individual case)

Supplier	Product number	Basic medium	Permissible limit weight fractions	Temperature range of medium	Usage
Temper Technology www.temper.se/Temper(eng)/Temper/Download/information/Temper_DX/NI-2251.aspx	Temper	Synthetic and homogenized, glycol-free solutions on the basis of salts; suitable for temperatures from -10 to -50 °C; colorless to slightly yellowish; contain no amines or nitrites, but additives to support protection against corrosion and to improve lubrication	Ready-to-use mixtures	-55...180 °C	Restricted ²⁾ - check compatibility, especially with respect to fiber gasket, PTFE (Teflon), FPM (Viton), soft solder unsuitable Cast iron at higher temperatures unsuitable Non-ferrous metal suited to a limited extent, must be tested in individual case

¹⁾ Supplier's Usage Instructions must be observed.

²⁾ Restricted usage with regard to concentration or temperature

Index

2-port valves		
product description	9	
valve characteristics	49	
with flanged connections.....	14	
3-port valves		
product description	10	
valve characteristics	49	
with flanged connections.....	22	
Abbreviations	86	
Accessories		
adapters	29	
electrical	28	
mechanical	28	
Acting direction	69	
Actuator overview	27	
Antifreeze	12, 89	
Brines	12, 89	
Calculation examples		
example for heat transfer oil.....	45	
example for steam	47	
example for water	43, 44	
Calibration	70	
Cavitation	56	
Circulation	61	
Commissioning	68	
Compatibility	12, 74	
Converting	71, 72	
Correction factor	39	
Coupling	71	
Dimensions.....	76	
Direction of flow	64	
Disposal.....	68	
Engineering notes.....	61	
Equipment combinations.....	14	
Fields of use	13	
Fittings.....	30	
Flanges		
connection.....	65	
faces	72	
types	72	
Flow noise	61	
Formulas	87	
Function check.....	68	
Installation	64	
Kinematic viscosity		
flow chart.....	36	
impact on valve sizing	38, 86	
Maintenance.....	68	
Mechanical design.....	70	
Medium		
heat transfer oil	60	
thermal oil	60	
water.....	57	
water with antifreeze	58	
water, deionized, demineralized, super-clean ..	59	
Medium quality	12, 57, 89	
Medium temperature	50	
Medium treatment	57	
Mounting	64	
Mounting positions.....	64	
Operating pressure.....	50	
Ordering.....	28	
Plug stop	71	
Product replacement	30	
2-port valves	31	
3-port valves	32	
Accessories	33	
Rangeability	40	
Spare parts.....	33	
Stem heating element.....	67	
Stem sealing gland.....	33	
Strainer (dirt trap)	61	
Technical data	74	
Technical design.....	64, 70	
Temperature range	12	
Thermal insulation	62	
Tightening torques.....	66	
Trade names	89	
Trademarks	7	
Type plate	11	
Type summary.....	14, 63	
Use	12	
Valve characteristic.....	69	
Valve neck.....	71	
Valve sizing		
fluids	35	
impact of fluid properties	36	
steam.....	40	
Valve stem.....	71	
Warranty.....	63	
Water vapor table	42	
Weight.....	76	

Siemens Switzerland Ltd.
Building Technologies Group
International Headquarters
Gubelstrasse 22
CH-6301 Zug
Phone +41 41-724 24 24
Fax +41 41-724 35 22
www.siemens.com/sbt
94 / 94

© Siemens Switzerland Ltd., 2011.
Subject to change