

SIEMENS



OpenAir™ GMA..1 actuators with spring return Technical basics

Table of contents

1	Introduction	5
1.1	Revision history.....	5
1.2	About this document	5
1.3	Document contents	6
2	Spring-return actuators	7
2.1	Application	7
2.2	Type summary	7
2.3	Description of functions.....	8
2.3.1	Function description supplement for GMA16..1.....	9
2.3.2	Supplementary information on the description of functions for networked actuators	9
2.4	Controllers.....	9
2.5	Structure and design.....	10
2.6	Setting and operator elements.....	11
3	Technical design	12
3.1	Drive motor and spring return	12
3.2	Rotary range and mechanical limitation.....	12
3.3	Auxiliary switches and positioning signals	13
3.4	Adjustable characteristic function	14
3.5	Neutral zone.....	15
4	Engineering notes	16
4.1	Safety notes	16
4.2	Device-specific regulations	17
4.3	Notes on EMC optimization	18
4.4	Determining the actuator.....	18
5	Mounting notes	20
6	Wiring notes	21
6.1	Permissible line length and cross-sectional areas	21
6.2	Actuator wiring (two-position).....	23
6.3	Actuator wiring (three-position)	23
6.4	Actuator wiring (modulating)	24
6.4.1	AC 24 V supply	24
6.4.2	DC 24 V supply	25
6.5	Actuator wiring (Modbus RTU).....	26
7	Commissioning notes.....	27

7.1	General checks	27
7.2	Electrical function check.....	27
7.3	Modbus	29
7.3.1	HMI – Human-machine interface	29
7.3.2	Push button addressing	30
7.3.3	Commissioning.....	31
7.3.4	Modbus registers.....	32
7.3.5	Parameter and function description	34
8	Technical data	35
9	Diagrams	37
9.1	Internal diagrams	37
9.2	Cable labeling	37
9.3	Connection diagrams (two-pos./three-pos.)	38
9.4	Connection diagrams (modulating)	39
9.4.1	Typical application.....	39
9.4.2	Special switchings for modulating control	40
9.5	Connection diagrams (networked)	41
9.5.1	Typical application.....	41
10	Environmental compatibility and disposal	41
11	Appendix	42
11.1	Dimensions	42
11.2	Referenced documents	43

1 Introduction

1.1 Revision history

Changes	Date	Chapter	Pages
Type summary	22.01.2004	2.2	6
Description of functions		2.3.1	7
Electrical parallel connection of actuators		4.2	16
Technical data (without type GMA19...		8	27/28
Referenced documents (related to GMA)		11.2	35
Self-adaptation (diagram /example)	07.05.2004	3.4	12
Self-adaptation (position indicator GMA16..1)		7.2	26
Operating voltage DC 24...48 V	07.06.2004	whole document	
Accessorie ASC77..		2.2	6
Permissible line length and cross-sectional areas	14.02.2005	6.1	19/20
Environmental compatibility and disposal		10	33
Referenced documents		11.2	34
Auxiliary switch	19.10.2006	8	28
Internal diagrams		9.1	29
EU and RCM Conformity	26.02.2016	8	28
European Directive 2012/19/EU		10	33
Added type GMA161.1E/MO	08.05.2017	whole document	

1.2 About this document

Main audience	This document targets engineering, product management, and commissioning staff in the market areas.
Purpose	This document provides basic knowledge. In addition to background information, it contains general technical fundamentals on the GMA..1 actuator series. It offers all information on engineering, correct mounting and wiring, commissioning, and service.
Referenced documents	Chapter 11.2 "Referenced documents" contains a list of documents on rotary and linear actuators with accessories.

1.3 Document contents

This document contains technical fundamentals on the actuators with spring return of type series GMA..1 for:

- Two-position control
- Three-position control
- Modulating control, and
- Modbus communication

The following topics are discussed:

- Type overview and description of the available options
- Applications and functions
- Actuator design including setting and operator elements
- Adjustable auxiliary switches and characteristic function
- Notes on engineering and safety-specific guidelines and regulations
- Notes on mounting, wiring, and commissioning
- Technical data
- Connection diagrams
- Notes on environmental compatibility and disposal

2 Spring-return actuators

Introduction

This chapter provides information on application, functions, and device combinations. Furthermore, it contains a type overview and explains the actuator design including setting and operator elements for this family of actuators.

2.1 Application

Spring-return actuators are used in ventilating and air conditioning plants to operate air dampers and air throttles:

- For damper areas up to 1.5 m², friction-dependent.
- In ventilation sections where the actuator must move to the zero position (emergency position) during power failure.
- For connection to two-position, three-position, or modulating controllers.
- For dampers having two actuators on the same damper shaft (tandem-mounted actuators or Powerpack).

2.2 Type summary

The following table shows the options for the actuator types.

GMA...	121.1E	126.1E	321.1E	326.1E	131.1E	132.1E	136.1E	161.1E	163.1E	164.1E	166.1E	161.1E/MO
Control type	Two-position control				Three-position control			Modulating control <i>Standard version</i>				Modbus RTU
Operating voltage AC 24 V DC 24...48 V	X	X			X	X	X	X	X	X	X	
AC 24 V DC 24 V												X
Operating voltage AC 230 V			X	X								
Positioning signal Y DC 0...10 V								X			X	
DC 0...35 V with characteristic function U ₀ , ΔU									X	X		
Modbus RTU												X
Position feedback U = DC 0...10 V								X	X	X	X	
Modbus RTU												X
Feedback potentiometer 1kΩ						X						
Self-adaptation of rotary angle range												X
Auxiliary switches (two)		X		X			X			X	X	
Powerpack (two actuators, tandem-mounted)	X	X	X	X	X	X	X					

Accessories, spare parts

For functional extensions of the actuators, the following accessories are available:

Universal lever	ASK71.9
Rotary/linear set for duct and wall mounting	ASK71.11
Rotary/linear set with lever	ASK71.13
Rotary/linear set with lever and mounting plate	ASK71.14
Weather protection cover	ASK75.3
Mounting bracket for tandem-mounted actuators or Powerpack	ASK73.3
External auxiliary switches	ASC77..E
Data sheet for accessories and spare parts	N4697

2.3 Description of functions

The functions are listed in a table and are assigned to the respective control types.

Type	GMA12..1 / GMA32..1	GMA13..1	GMA16..1	GMA161.1E/MO
Control type	Two-position control	Three-position control	Modulating control	Modbus RTU
Positioning signal with adjustable characteristic function	-	-	Y = DC 0...35 V with offset $U_0 = 0...5$ V and span $\Delta U = 2...30$ V	-
Rotary movement, rotary direction	Clockwise or counter-clockwise movement depends on the mounting position of the damper shaft.			
	When operating voltage is supplied, the actuator goes from $0^\circ \Rightarrow 90^\circ$.	When operating voltage is supplied and depending on the control, the actuator goes <ul style="list-style-type: none"> from $0^\circ \Rightarrow 90^\circ$ (open) from $90^\circ \Rightarrow 0^\circ$ (close) When control is interrupted, the actuator remains in the respective position.	-	On the setting of the respective parameter
Spring return	On power failure or when the operating voltage is switched off, the spring return moves the actuator to its mechanical zero position.			
Position indication: Mechanical	Rotary angle position given by the position indicator.			
Position indication: Electronic	-	Connecting the feedback potentiometer to an external voltage source results in voltage supply proportional to the rotary angle.	Position indicator: Output voltage $U =$ DC 0...10 V is generated proportional to the rotary angle.	By Modbus register value
Self-adaptation of rotary angle range	-			When self-adaption is active, the actuator automatically detects mechanical end of the rotary angle range.
Auxiliary switch	The switching points for auxiliary switches A and B can be set independent of each other in increments of 5° within 5° to 90° .			-
Powerpack (two actuators, tandem-mounted)	Mounting two actuators of the same type on the same damper shaft doubles the torque.	Not permissible		
Response on damper blocking	The actuator is equipped with an automatic switch-off mechanism.			
Manual adjustment	<ul style="list-style-type: none"> When no voltage is applied, you can turn the actuator to any rotary angle position (using a hex wrench) and lock by using a screwdriver, or the adjustment tool. The actuator returns to the zero position on mechanical unlocking by means of a hex wrench (turn in "90°" – open" direction) or by shortly supplying operating voltage. 			
Rotary angle limitation	The rotary angle range can be limited mechanically by inserting the shaft adapter in 5° increments.			

2.3.1 Function description supplement for GMA16..1

The following information applies to the **standard** and **enhanced versions** of the modulating actuators.

Characteristic function
GMA163.1, GMA164.1

Offset U_0 and span ΔU can be adjusted using two potentiometers (see 3.4 "Adjustable characteristic function"). The maximum permissible input voltage ($U_0 + \Delta U$) is DC 35 V.

Application

Actuators featuring this function can be used for the following applications:

- Dampers with a rotary angle limitation, for instance in the 0°...45° range, can be controlled using the full positioning signal range DC 0...10 V.
- As a sequencing actuator in control loops that can only apply a DC 0...10 V positioning signal to control more than one sequence.
- In control systems with a positioning signal deviating from DC 0...10 V such as DC 0...35 V.

2.3.2 Supplementary information on the description of functions for networked actuators

Process values and parameters
GMA161.1E/MO

All process values (setpoints and actual values) and all parameters are implemented as Modbus RTU registers.

Self-adaption of the rotary angle range
GMA161.1E/MO

The actuator automatically determines the effective rotary angle range when the respective parameter is set to "on". In that case the actuator performs a calibration run at first startup to determine its actual opening range and adjusts the 0..100% feedback signal to this opening range.

The table shows the different effects of the characteristic function's mapping to the rotary angle range for "inactive self-adaptation" and "active self-adaption":

Inactive self-adaption	Active self-adaption
<ul style="list-style-type: none"> • The actuator calibrates the position indication with Actual Position = 0..100% for rotary angle = 90° 	<ul style="list-style-type: none"> • The actuator calibrates the position indication with Actual Position = 0..100% for rotary angle < 90°

2.4 Controllers

The actuators can be connected to all controllers having the following outputs. All safety-related requirements must be fulfilled (see chapter 4 "Engineering notes").

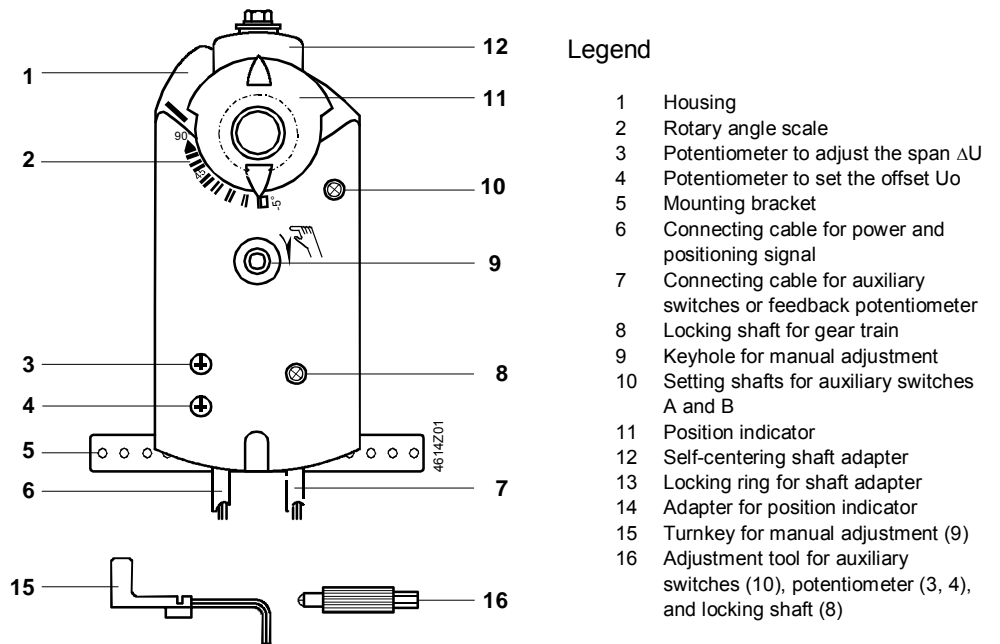
Actuator type	Control type	Controller output
GMA12..1	Two-position	AC 24 V or DC 24...48 V
GMA32..1	Two-position	AC 230 V
GMA13..1	Three-position	AC 24 V or DC 24...48 V
GMA16..1	Modulating	DC 0...10 V / DC 0...35 V
GMA161.1E/MO	Modbus RTU	Modbus RTU

2.5 Structure and design

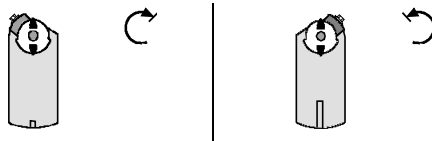
Description	The GMA...1 electronic actuators are available for two-position, three-position, modulating and networked control with spring return. The nominal torque is 7 Nm. The actuator's connection cables are prewired.
Housing	Robust, light-weight full metal housing from aluminum diecast. The housing guarantees a long actuator life even under harsh environmental conditions.
Gear train	Maintenance-free and noise-free gear train with stall and overload protection for the life of the actuator.
Spring preload	The spring preload of 5° ensures safe closure of the air dampers following correct mounting.
Manual adjustment	You can manually adjust the actuator using a hex wrench and lock it using a screwdriver.
Self-centering shaft adapter	This mounting type allows for fastening the actuator to shafts with various diameters and in various shapes (square, round) using just one screw. Insert the shaft adapter from either side into the opening for the shaft adapter. For short shafts, the shaft adapter is on the duct side. The shaft adapter coupling and the adapter holding are coupled by means of double-sided gearing.
Mounting bracket	A bolted metal strip is used for attaching the actuator.
Electrical connection	All actuators have pre-wired, 0.9 m long (standard length) connection cables.
Type-specific elements	The actuators can be delivered as a type-specific variant having the following elements:
Auxiliary switch	For supplementary functions, the auxiliary switches A and B can be adjusted on either side.
Potentiometer for offset and span	Both potentiometers for the operating functions U_0 and ΔU are accessible on either side.
Feedback potentiometer to position indication	The potentiometer is integrated and can be connected by means of a cable.
Push button and LED at external Interface	The HMI of networked types consists of a push button and an LED to allow certain interactions with the actuator or to provide visible feedback from the actuator.

2.6 Setting and operator elements

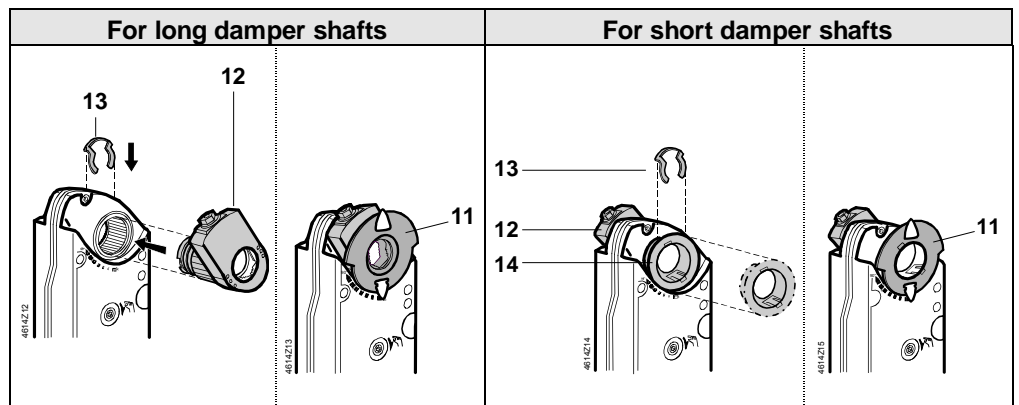
Actuator



Rotary direction, dependent on mounting position



Arrangement of shaft adapter



3 Technical design

Introduction

This chapter discusses the following topics:

- Drive motor and spring return
- Adjustable auxiliary switches
- Adjustable characteristic function (positioning signal, DC 0...35 V)
- Control characteristics by including the neutral zone

3.1 Drive motor and spring return

Motor technology

The brushless DC motor allows for accurate speed control, torque supervision to protect the actuator and dampers, and provides a reliable spring return function.

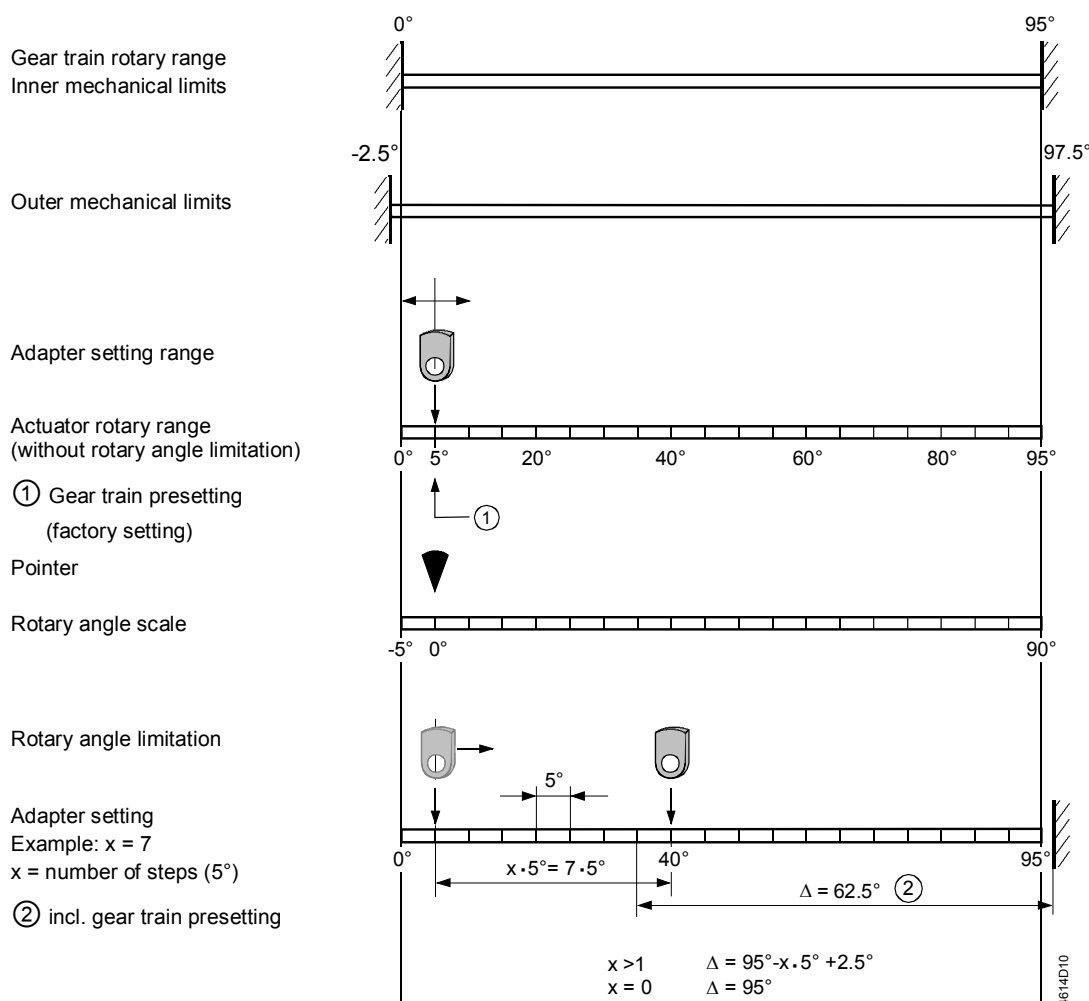
Spring return

The spring return force is stored in a spring which returns the actuator to the zero position in the case of power failure.

3.2 Rotary range and mechanical limitation

Mechanical functions

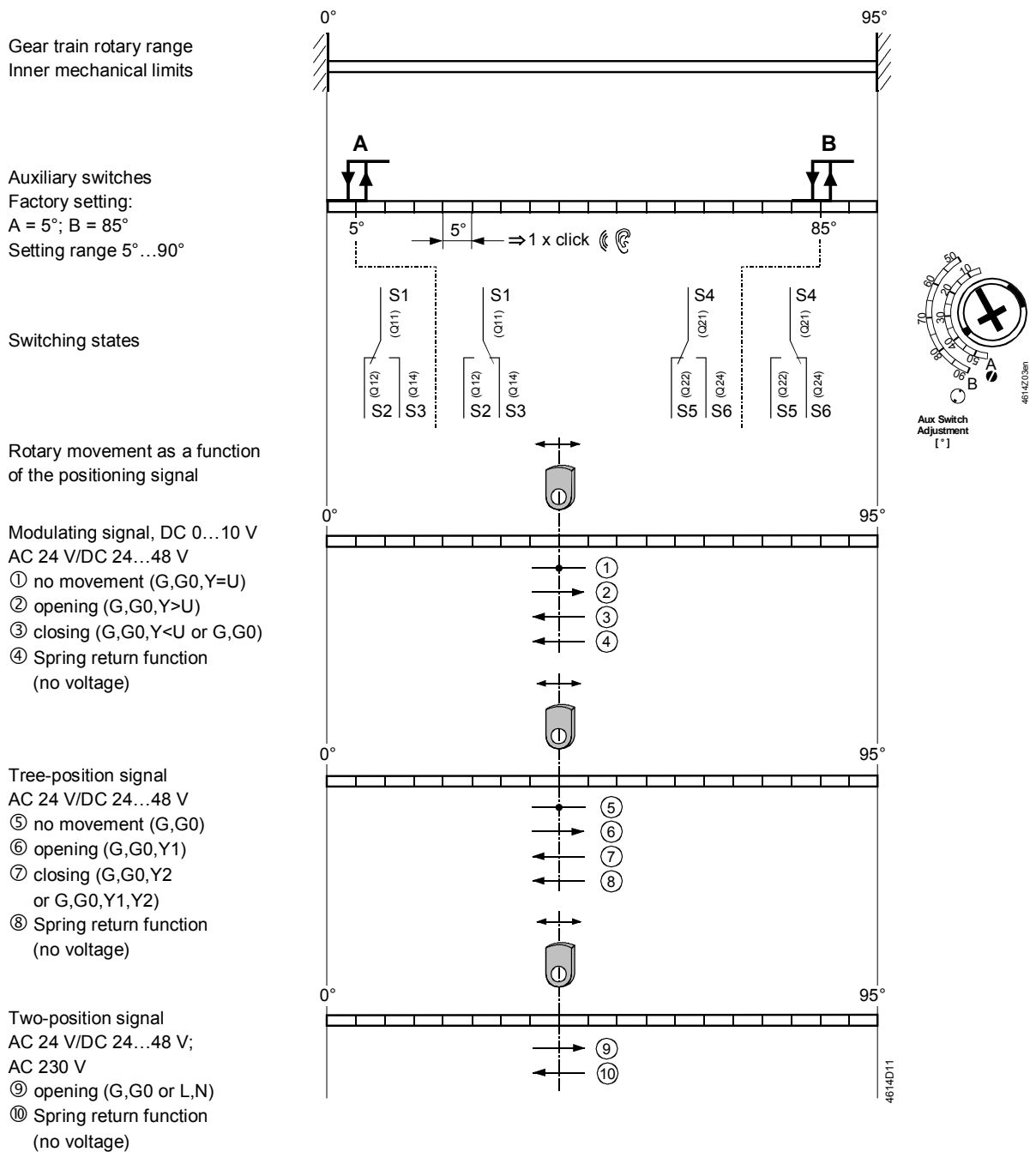
The illustration below shows the relationship between the inner and outer mechanical limitation of the rotary range.



3.3 Auxiliary switches and positioning signals

Electrical functions

The illustration below shows the relationship between the rotary angle, the adjustable switching points for auxiliary switches A and B, and the positioning signal.



Note

The setting shafts for the auxiliary switches turn together with the adapter. The scales thus only refer to the **inner mechanical 0° limit**.

Adjustment tool

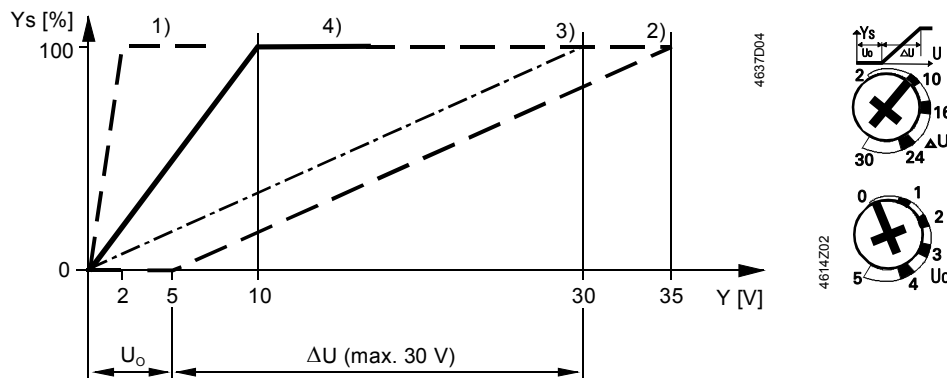
The adjustment tool is used to set the auxiliary switches; it is part of the delivery (type-specific).

3.4 Adjustable characteristic function

Actuators

GMA163.1, GMA164.1,

A modulating positioning signal DC 0..35 V from a controller controls the actuator. The rotary angle is proportional to the positioning signal. Using potentiometer "Uo", you can set the offset for DC 0...5 V, and with potentiometer "ΔU", you can set the span for DC 2...30 V.



Y_s Positioning range: 100 % = Rotary angle 95°
 Y Positioning signal
 U_o Offset
 ΔU Span (for $Y_s = 100$ %)

Examples as per the diagram

Example	Positioning signal Y	Positioning range Y_s	Settings	
			U_o	ΔU
1)	DC 0...2 V	0...100 %	DC 0 V	DC 2 V
2)	DC 5...10 V	0...17 %	DC 5 V	DC 30 V
	DC 5...35 V	0...100 %		
3)	DC 0...10 V	0...33 %	DC 0 V	DC 30 V
	DC 0...30 V	0...100 %		
4)*	DC 0...10 V	0...100 %	DC 0 V	DC 10 V

* Characteristic curve for factory setting

Note

- The Y input is limited to max. DC 35 V.
- The adjustable span ΔU is max. 30 V.

Example

Define the adjustable span ΔU if the actuator is to open from 0...50 % at a positioning signal of $Y = DC 2...10$ V. The offset U_o thus amounts to 2 V. The rotary angle is 90°.

Formula

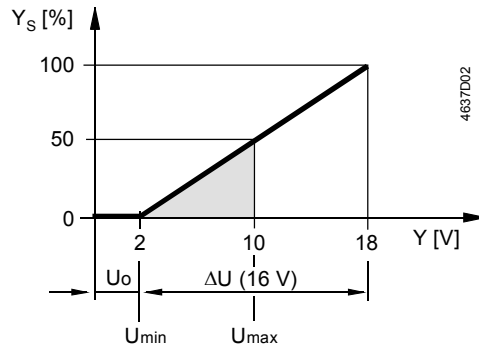
Calculating the setting value for ΔU :

$$\Delta U = \frac{\text{max. pos. range } Y_s \text{ max } [\%]}{\text{Span } Y_s [\%]} \cdot (10 \text{ [V]} - U_o \text{ [V]}) = \frac{100 \%}{50 \%} \cdot (10 \text{ V} - 2 \text{ V}) = 16 \text{ V}$$

Potentiometer settings

$U_o = 2 \text{ V}$, $\Delta U = 16 \text{ V}$

Characteristic function for the above example



Max. positioning range $Y_{smax} = 100\%$ (95°)
 Span $Y_s = 50\%$ (47.5°)
 Offset $U_o = 2\text{ V}$
 Span $\Delta U = 16\text{ V}$

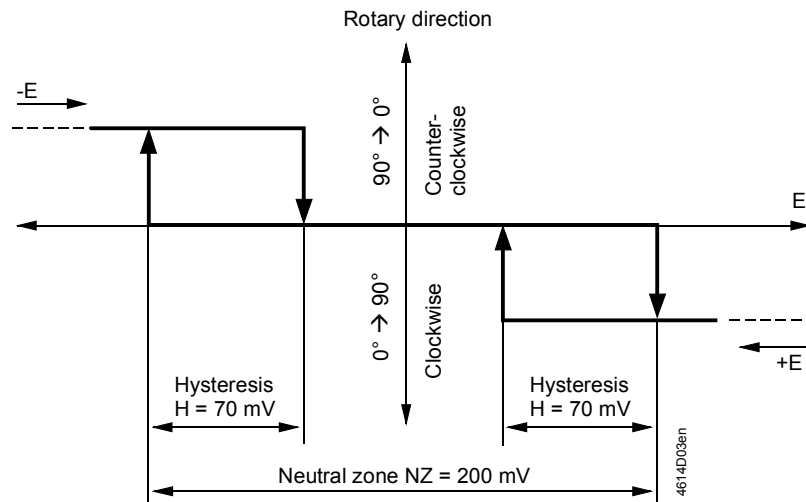
Effective span
 $\Delta U_w = U_{max} - U_{min}$
 $= 10\text{ V} - 2\text{ V} = 8\text{ V}$

3.5 Neutral zone

For modulating control actuators, note the control characteristic for the selected switch-on point of the setpoint.

Actuators
 GMA161.1, 166.1
 (DC 0...10 V)

The diagram shows the setting characteristics by including the neutral zone. The values for the neutral zone listed in the diagram apply to DC 0...10 V (**without characteristic function**).



The diagram shows the relationship between the differential voltage $E = Y - U$ (difference between setpoint Y and actual value U) and the rotary direction, including hysteresis and neutral zone.





Actuators
 GMA163.1, 164.1
 (DC 0...35 V)

For DC 0...35 V (**with characteristic function**) the following values apply:
 Neutral zone $NZ = 2\%$ of span ΔU .
 Hysteresis $H = 0.7\%$ of span ΔU .

4 Engineering notes

Introduction	Carefully study the basics of the control systems used before proceeding to the sections below, and pay special attention to all safety-related information.
Intended use	Use these actuators in a system only for applications as described in the basic system documentation of the control systems used. Additionally, note the actuator-specific properties and conditions as described in this chapter and in chapter 8 "Technical data" in this document.

4.1 Safety notes

	Please observe the following notes	This chapter explains general and system-specific regulations for mains and operating voltages. It also contains important information regarding your own safety and that of your plant.
	Safety note	The warning triangle to the left means that you must observe all respectively listed regulations and notes. If ignored, injuries and equipment damages may result.
	General regulations	Observe the following general regulations during engineering and project execution: <ul style="list-style-type: none">• Electric and high-power regulations of the respective country.• Other mandatory country regulations.• House installation regulations of the respective country.• Regulations by the energy supplier.• Diagrams, cable lists, dispositions, specifications and instructions as per the customer or the engineering business.• Third-party regulations from, e.g., the general contractors or building contractors.
Safety		Electrical safety in Landis & Staefa building automation and control systems primarily depends on extra-low voltage with safe isolation from mains voltage .
SELV, PELV		Depending on the earthing of extra-low voltage, SELV or PELV applications as per HD384 "Electrical plants in buildings" result: Unearthed = Safety Extra-Low Voltage SELV Grounded = Protection by Extra-Low Voltage PELV
	Earthing of G0 (system neutral)	Observe the following for grounding G0: <ul style="list-style-type: none">• As a rule, earthing as well as non-earthing of G0 is permissible for AC 24 V/ DC 24...48 V operating voltage. However, observe all local regulations and customary procedures.• For functional reasons, earthing may be required or not permissible.
<i>Recommendation on earthing G0</i>		<ul style="list-style-type: none">• Earth all AC 24 V and DC 24...48 V systems unless otherwise specified by the respective manufacturers.• To avoid earth loops, connect systems with PELV to the earth at only one end in the system, normally at the transformer, unless otherwise specified.

! Operating voltage
AC 24 V,
DC 24...48 V,
AC 230 V

The following regulations apply to these operating voltages:

	Regulation
Operating voltage • AC 24 V • DC 24...48 V	The operating voltage must comply with the requirements for SELV or PELV: <ul style="list-style-type: none"> • Permissible deviation of AC 24 V nominal voltage at the actuators: +/- 20 %. • Permissible deviation of DC 24...48 V nominal voltage at the actuators: +/- 20 %
Operating voltage AC 230 V	Permissible deviation of AC 230 V nominal voltage at the actuators: +/-10 %.
Specification on AC 24 V transformers	Safety transformers as per EN 61558, with double isolation, designed for 100 % runtime to supply SELV or PELV circuits. Determine the transformer's power consumption by adding up the power consumption in VA for all actuators used. The capacity used from the transformer should amount to at least 50 % of the nominal load for efficiency reasons (power efficiency). The nominal capacity of the transformer must be at least 25 VA. For smaller transformers, the ratio between voltage at idle time to voltage at full load is unsatisfactory (> + 20 %).
Specifications for DC 24...48 V supply	Determine the supply by adding up the power consumption in W for all actuators used.
Fuse of AC 24 V/DC 24...48 V operating voltage	Transformers, secondary side or DC supply: <ul style="list-style-type: none"> • According to the effective load of all connected devices. • Line G (system potential) must always be fused. • Where required, additional line G0 (system neutral).
Fuse of AC 230 V mains voltage	Transformers, primary side as per the applicable installation regulations of the respective country.

4.2 Device-specific regulations


! Device safety

Safety for the devices is ensured by (among other aspects):


- Supply of AC 24 V/DC 24...48 V extra-low voltage as per **SELV** or **PELV**.
- Double isolation between AC 230 V mains voltage and SELV/PELV circuits.

Mechanical parallel connection of actuators

- Two-position and three-position actuators GMA32..1, GMA12..1, and GMA13..1: Mount max. two actuators on the same damper shaft.
- Use the mounting bracket to secure the second actuator also (see accessories in chapter 2.2).
- **Do not mechanically** connect modulating **GMA16..1** actuators.

 Auxiliary switches A, B

Apply **only mains voltage** or **only safety extra-low voltage** to the switching outputs of auxiliary switches A and B. Mixed operation is not permissible. However, operation using various phases is **not** permissible.

 Feedback potentiometer for position indication

Include the potentiometer's electric data to indicate the damper position via external switching.

Electrical parallel connection of actuators

Up to 10 actuators of the same device type can be electrical parallel wired. Cable length and cable cross section have to be respected.

See chapter 6 "wiring notes" for more information.



Caution
Maintenance

Do not open the actuator!

The device is maintenance-free. Only the manufacturer may conduct any repair work.

4.3 Notes on EMC optimization

Running cables in a duct

Make sure to separate high-interference cables from equipment susceptible to interference.

Cable types

- Cables emitting interference: Motor cables, particularly motors supplied by variable speed drives, energy cable
- Cables susceptible to interference: Control cables, extra-low voltage cables, interface cables, LAN cables, digital and analogue signal cables

Cable segregation

- Both cable types can be routed in the same cable ducting, but in different compartments.
- If ducting with three closed sides and a partition is not available, separate the interference-emitting cables from other cables by a minimum of 150 mm or route in separate ducting.
- Cross high-interference cables with equipment susceptible to interference only at right angles.
- When, as an exception, signal and interference-emitting supply cables are run in parallel, the risk of interference is very high. In this case, limit the cable length of the positioning signal line DC 0...10 V for modulating actuators.

Unshielded cables

We recommend to use unshielded cables. When selecting unshielded cables, follow the manufacturer's installation recommendations. In general, **unshielded twisted-pair** cables have sufficient EMC characteristics for building services (incl. data applications) as well as the advantage that no provision is required for coupling to the surrounding earth.

4.4 Determining the actuator

Required actuator torque

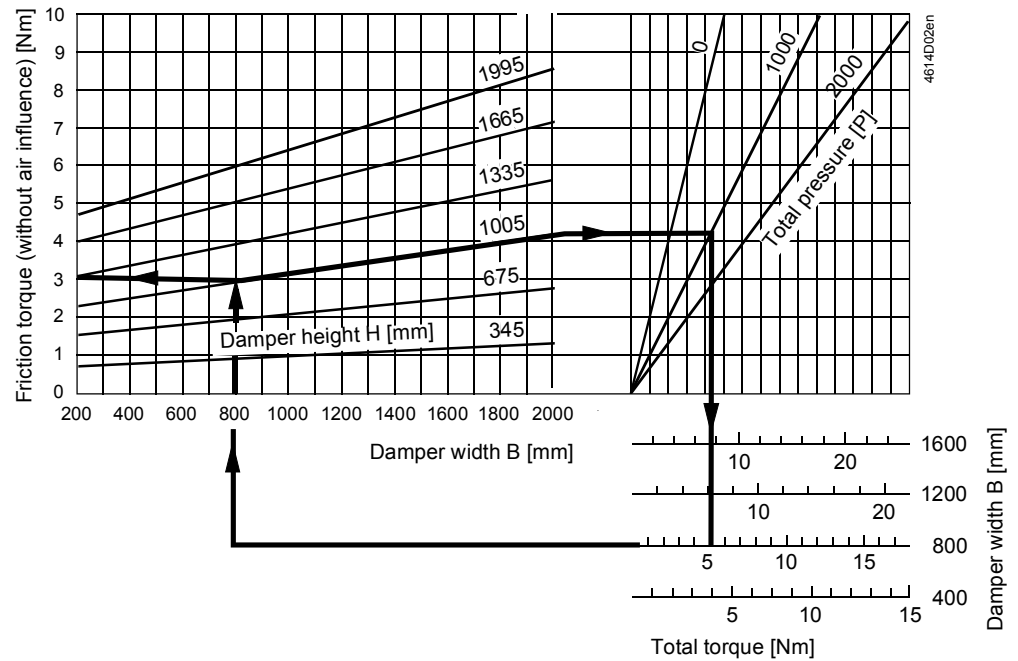
After obtaining the damper torque rating [Nm/m²] from the manufacturer and determining the damper area, calculate the total torque required to move the damper as follows:

Total torque [Nm] = Torque rating [Nm/m²] × damper area [m²].

Instead of the torque rating, the total torque can also be determined from the manufacturer's sizing diagrams.

Sizing diagram

The following diagram (example EMCO) allows for determining the total torque for this air damper type.



Example

Damper for blinds:
 Width = 800 mm
 Height = 1005 mm
 Total pressure = 1000 Pa

The total torque of about **5 Nm** results from the diagram.

Determining the actuator type

Determine your type of actuator from the table below:

If	Total torque [Nm] SF ¹	then use type (with spring return)
	≤ 7 Nm	GMA..1 (7Nm)
	≤ 14 Nm	2 x GMA..1 (2 x 7 Nm) ² or
	≤ 18 Nm	GCA..1 (18 Nm) ³
	≤ 36 Nm	2 x GCA..1 (2 x 18 Nm) ⁴

Notes

¹ Safety Factor SF:

When calculating the number of actuators, remember to include non-definable variables such as slight misalignment, damper age, etc. as a safety factor. We recommend a total safety factor of 0.8.

Apply the same factor when calculating the actuator torque by the torque rating.

If the required actuator torque is greater than 7 Nm, the following can be used:

² Two actuators (tandem-mounted "powerpack") of type series GMA12..1, GMA32..1, GMA13..1

³ one actuator of type series GCA...1.

⁴ If the actuator torque is greater than 18 Nm, two actuators of type series GCA...1 can mechanically be connected and mounted on the damper shaft.

5 Mounting notes

Mounting instructions	All information and steps to properly prepare and mount the actuator are available in the mounting instructions 4 319 0108 0 (M4614) delivered with the actuator. The shaft adapter as well as all other individual parts are not pre-mounted, as the actuator components are put together differently depending on either clockwise or counter-clockwise rotation of the damper shaft and damper shaft length. Refer to 2.5 "Structure and design" in this chapter.
Mounting position	Choose the actuator's mounting position so that you can easily access the cables as well as the setting dials on the front of the actuator. Refer to 11.1 "Dimensions".
Mounting position in dependence of rotary direction	<ul style="list-style-type: none">• GMA12..1, 32..1, 13..1, 16..1: For mounting, turn the actuator by 180° depending on the necessary rotary direction. All setting and operator elements are available on both sides of the actuator, depending on clockwise or counter-clockwise rotation.
Device protection	To satisfy the IP54 protection class requirements, the following conditions must be fulfilled: <ul style="list-style-type: none">• The actuators are equipped only for vertical mounting (cable entries at bottom) with air dampers having a horizontal shaft.• The actuator mounted on the damper shaft may be mounted by max. +/- 45° to the vertical line:• Use the weather protection cover ASK75.3 for any mounting position.
Mounting bracket	The mounting bracket (see dimensions) is required for mounting on the damper shaft. The insertion depth for the bolt into the housing must be sufficient and guaranteed.
Spring preload	The actuator comes with a factory-set spring preload of 5° which ensures a tight close-off for the air dampers.
Manual adjustment	Manual adjustment of the shaft adapter via hex wrench and gear train locking as per the mounting instructions. To ensure a tight close-off function for the dampers and the exact switching position for switches A and B, the actuator can only be adjusted with a mounted shaft adapter and position indicator in accordance with the mounting instructions.
Mechanical limitation of rotary angle	If necessary, you can limit the rotary angle at increments of 5° for the entire span by positioning the shaft adapter in the respective position.
Damper shafts	Refer to chapter 8 "Technical data" for information on minimum length and diameter of the damper shafts.
Use of rotary/linear sets	Mount the mounting sets for converting a rotary movement to linear movement (chapter 2.2 "Type summary") as per the separate mounting instructions.
Tandem (Powerpack) mounting	When mounting two actuators on the same damper shaft (for GMA12..1, 32..1, 13..1,) use the ASK73.3 mounting bracket.

6 Wiring notes

Introduction

Prior to wiring, study all information in the following sections:

- "Safety notes" in chapter 4.1,
- "Device-specific regulations" in chapter 4.2,
- "Notes on EMC optimization" in chapter 4.3,
- "Diagrams" in chapter 9, and the
- HVAC plant diagram.

Note

- This chapter is written for AC/DC24 V and AC 230 V (Information for AC 24... 48 V on inquiry)

6.1 Permissible line length and cross-sectional areas

The line lengths and cross-sectional areas depend on the actuators power consumption and the permissible voltage drop of the connection lines to the actuators. Determine the necessary line length from the following diagram and the formulas.

Note

To determine the line length and cross section, adhere to the permissible operating voltage tolerance at the actuator (see chapter 8, "Technical data") in addition to the permissible voltage drop between the signal and supply lines (see table below).

Permissible voltage drop

The line sizing between the controller and the actuators depends on the actuator type used and is determined on the following basis.

Type	Operating voltage	Line	Max. permissible voltage drop
GMA12..1 GMA13..1	AC/DC 24 V	G0, G Y1, Y2	4 % each (tot. 8 %) of AC/DC 24 V
GMA16..1..	AC 24 V	G0, G	4 % each (tot. 8 %) of AC 24 V
	DC 24 V	G0, G	1 % of DC 10 V
GMA32..1	AC 230 V	L, N	2 % each (tot. 4 %) of AC 230 V

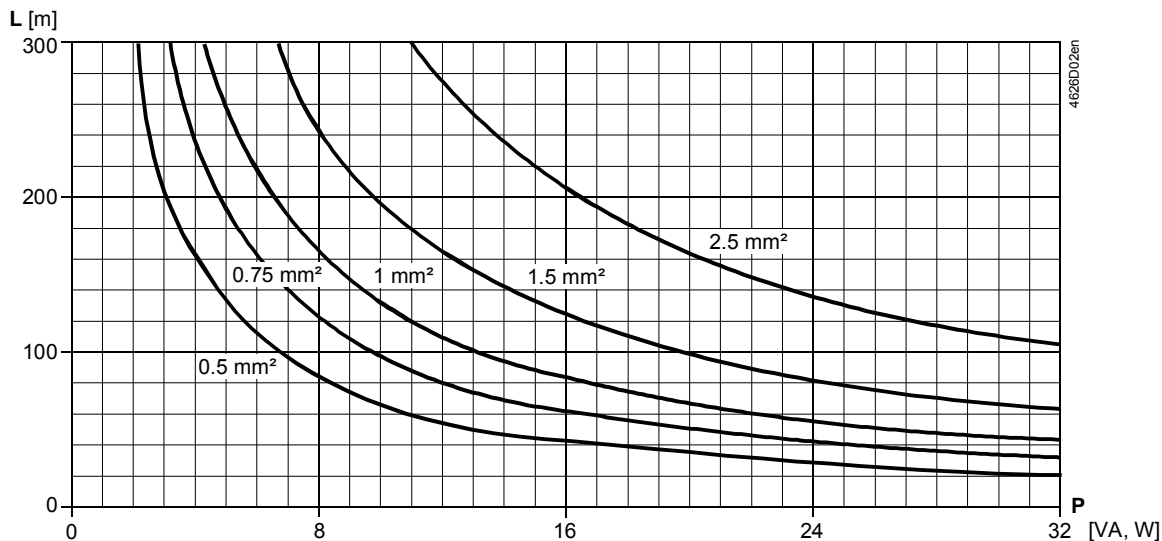
Notes on the G0 line (GMA16..1)

Consider the following criteria:

- For modulating control and DC 24 V operating voltage:
The permissible positioning signal error caused by a voltage drop in the line current (direct voltage mean value) on the G0 line must not exceed 1%.
- The G0 line's voltage drop caused by surges in the DC circuit in the actuator may not exceed 2 Vpp.
- In the case of improper sizing of the G0 line, actuator load changes may cause natural oscillation due to a change in the DC voltage drop.
- The supply voltage loss at AC 24 V may not exceed 8% (4% over G0 line).

**Line length/consumption
AC/DC 24 V**

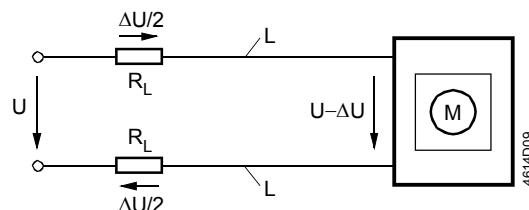
The diagram applies to AC/DC 24 V and shows the permissible line length **L** as a function of consumption **P** and as a parameter of the line cross sections.



Notes on diagram

- The values in [VA, W] on the P-axis are allocated to the permissible voltage drops ($\Delta U/2U = 4\%$) on line L as per the above table and to the P&I diagram.
- C is the primary power consumption for all actuators connected in parallel.

P&I diagram:
Voltage drop on the supply lines



Formula for line length

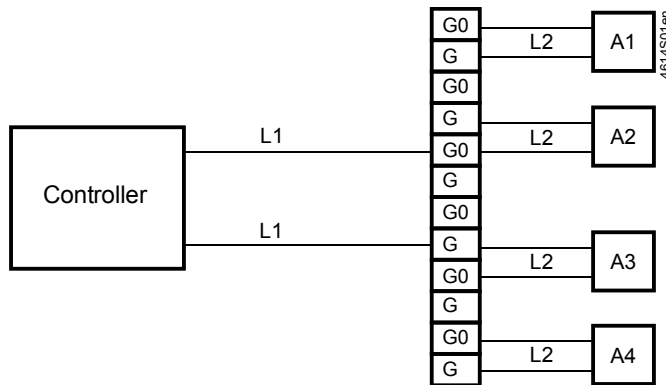
The maximum line length can be calculated using the following formula.

Operating voltage	Perm. voltage drop / line	Formula for line length
AC/DC 24 V	4 % of AC/DC 24 V	$L = \frac{1313 \cdot A}{P}$ [m]
	1 % of DC 10 V	$L = \frac{5.47 \cdot A}{I(DC)}$ [m]
AC 230 V	2 % of AC 230 V	$L = 46 \cdot \frac{1313 \cdot A}{P}$ [m]

- A Line cross section in [mm²]
- L Permissible line length in [m]
- P Power consumption in [VA] or [W];
The value is printed on the actuator's type plate.
- I(DC) DC current portion in line G0 in [A]

Line length for actuators connected in parallel

The following sections show how to determine the permissible line length and cross sections for the various actuators based on examples. The examples for actuators connected in parallel apply to the following arrangement:



Assumption

The line resistances of L2 are equal and can be ignored for L1. Separately calculate the permissible line lengths L2 for other connections (ring, star-like).

6.2 Actuator wiring (two-position)

Actuators with two-position control
GMA12..1 and GMA32..1

Type	Operating voltage	Power consumption	Perm. voltage drop for line 1 (G) and 2 (G0)
GMA12..1	AC 24 V DC 24 V	5 VA 3.5 W	$\Delta U/U = \text{max. } 8\%$ (4 % each per line)
GMA32..1	AC 230 V	7 VA	$\Delta U/U = \text{max. } 4\%$ (2 % each per line)

Use the table or the formulas in chapter 6.1 to determine the permissible line lengths and cross sections.

6.3 Actuator wiring (three-position)

Actuators with three-position control
GMA13..1

Three-position actuators are supplied AC/DC 24 V via the supply lines 1 (G) and 2 (G0). The positioning signal current of about 8 mA is supplied via lines 6 and 7.

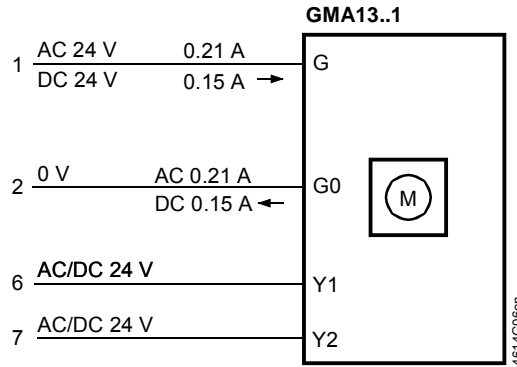
Power consumption and perm. voltage drop with one actuator

The table shows the main power consumption used to size the actuator lines as well as the permissible voltage drop.

Operating voltage	Power consumption	Perm. voltage drop for line 1 (G), 2 (G0), 6 (Y1), 7 (Y2)
AC 24 V DC 24 V	5 VA 3.5 W	$\Delta U/U = \text{max. } 8\%$ (4 % each per line)

P&I diagram:
Conduction currents

The diagram shows the currents in the connecting lines for **one actuator**.



Example:
Parallel connection of two actuators

Determining the line lengths for two actuators GMA13..1 and AC/DC 24 V supply. Only the currents in line 1 (G) and 2 (G0) determine the line sizing.

Max. permissible voltage drop = **4% per line** (total 8 %).

AC 24 V: Line 1 (G), 2 (G0)	DC 24 V: Line 1 (G), 2 (G0)
<ul style="list-style-type: none"> Consumption = 2 x 5 VA = 10 VA Line current = 2 x 0.21 A = 0.42 A Max. permissible single line length: 197 m at 1.5 mm² line cross section. 	<ul style="list-style-type: none"> Consumption = 2 x 3.5 W = 7 W Line current = 2 x 0.15 A = 0.3 A Max. permissible single line length: 281 m at 1.5 mm² line cross section.

6.4 Actuator wiring (modulating)

Modulating actuators
GMA16..1

Differentiate between AC 24 V and DC 24 V to determine the permissible line lengths between the positioning module and the actuator. The section below discusses the effect of G0 line sizing.

6.4.1 AC 24 V supply

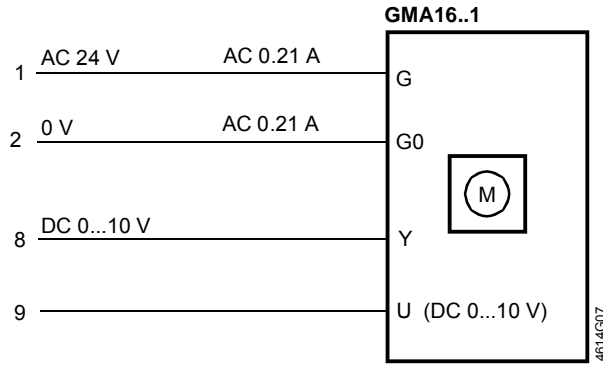
Power consumption and perm. voltage drop with one actuator

With AC supply, the G0 line has a AC 0.21 A supply current and a DC 0.1 mA positioning signal current (from Y = DC 0...10 V). The AC voltage drop on the G0 line does not impact the positioning signal Y.

Operating voltage	Power consumption	Perm. voltage drop for line 1 (G), 2 (G0)
AC 24 V	5 VA	4 % of AC 24 V

P&I diagram:
Conduction currents at
AC 24 V

The diagram shows the currents in the connecting lines for **one actuator**.



Example:
Parallel connection of four
actuators

Determining the line lengths for four actuators GMA16..1 at **AC 24 V** supply. Only the AC currents in line 1 (G) and 2 (G0) determine the line sizing.
Max. permissible voltage drop = **4% per line**.

- Consumption: 4 x 5 VA = 20 VA
- Line current: 4 x 0.21 A = 0.84 A
- **Permissible single line length for G, G0:**
98 m at 1.5 mm² line cross section, or
163 m at 2.5 mm² line cross section.

6.4.2 DC 24 V supply

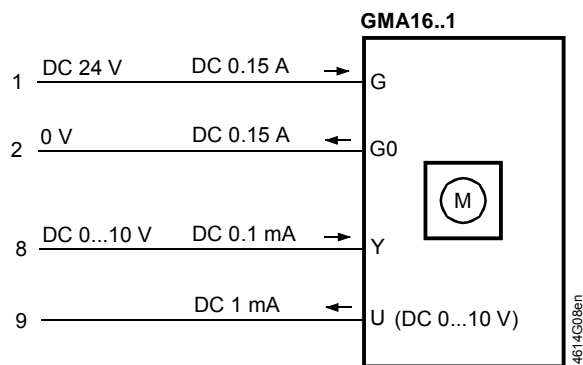
Power consumption and
perm. voltage drop with
one actuator

With DC supply, the G0 line has a DC 0.15 A supply current and a DC 0.1 mA positioning signal current (from Y = DC 0...10 V). The entire DC voltage drop on the G0 line directly impacts positioning signal Y.
Max. permissible voltage drop on **G0 line = 1 %**.

	Power consumption	Perm. voltage drop for line			
		1 (G)	2 (G0)	8 (Y)	9 (U)
Operating voltage: DC 24 V	3.5 W	4 % of DC 24 V	1 % of DC 24 V		
Positioning signal: Y = DC 0...10 V	0.001 W			1 % of DC 10 V	
Position indicator: U = DC 0...10 V	0.01 W				1 % of DC 10 V

P&I diagram:
Conduction currents at
DC 24 V

The diagram shows the currents in the connecting lines for **one actuator**.



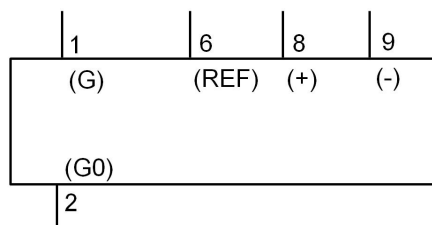
Example:
Parallel connection of four
actuators

Determining the line lengths for four actuators GMA16..1, GMA19..1 at **DC 24 V** supply. Only the DC currents in line 1 (G) and 2 (G0) determine the line sizing.

Line 2 (G0): (max. voltage drop 1 %)	Line 1 (G): (max. voltage drop 4 %)
<ul style="list-style-type: none"> Consumption: 4 x 3.5 W = 14 W Line current: 4 x 0.15 A = 0.6 A Permissible single line length: 13 m at 1.5 mm² line cross section or 22 m at 2.5 mm² line cross section. 	<ul style="list-style-type: none"> Consumption: 4 x 3.5 W = 14 W Line current: 4 x 0.15 A = 0.6 A Permissible single line length: 141 m at 1.5 mm² line cross section or 235 m at 2.5 mm² line cross section.

6.5 Actuator wiring (Modbus RTU)

The damper actuators are supplied with a prewired connecting and communication cable. All interconnected devices must be connected to the same G0.



Strand code	Strand color	Terminal code	Description
1	red (RD)	G	System potential AC 24 V ~ / DC 24 V =
2	black (BK)	G0	System neutral
6	violet (VT)	REF	Reference (Modbus RTU)
8	grey (GY)	+	Bus + (Modbus RTU)
9	pink (PK)	-	Bus - (Modbus RTU)

Note

The operating voltage at terminals G and G0 must comply with the requirements under SELV or PELV.

Safety transformers with twofold insulation as per EN 61558 required; they must be designed to be on 100 % of the time.

7 Commissioning notes

References

All information necessary for commissioning is contained in the following:

- This document ("Technical basics" Z4614en)
- Mounting instructions 74 319 0108 0 (M4614)
- HVAC plant diagram.

7.1 General checks

Environmental conditions

Check to ensure that all permissible values as contained in chapter 8 "Technical data" are observed.

Mechanical check

- Check for proper mounting and to ensure that all mechanical settings correspond to the plant-specific requirements. Additionally, ensure that the dampers are shut tight when in the closed position.
- Fasten the actuator securely to avoid side load.
- Check the rotary movement: Manually set the damper by turning the adapter using a hex wrench, and lock the gear train as per the mounting instructions (only if no voltage is applied).
- Check the unlocking mechanism of the gear train by turning the hex wrench in the direction of 90°.

Electrical check

- Check to ensure that the cables are connected in accordance with the plant wiring diagram.
- The operating voltage AC 24 V/DC 24...48 V (SELV/PELV) or AC 230 V must be within the tolerance values.

7.2 Electrical function check

Rotary movement: Two-position control GMA12..1, GMA32..1

- When operating voltage is supplied, the actuator must turn from 0° to 90° (or to end position for rotary angle limitation).
- After interrupting the operating voltage, the actuator must return to the zero position.

Rotary movement: Three-position control GMA13..1

Check the actuator operating states as follows (see also chapter 9.3 Connection diagrams (two-pos./three-pos.)).

Core connections		Rotary direction
AC 24 V	DC 24...48 V	
1 – 6 (SN) / 2 – 6 (SP)	2 – 6 (SP)	from 0° ⇒ 90°
1 – 7 (SN) / 2 – 7 (SP)	2 – 7 (SP)	from 90° ⇒ 0°
1 – 6 / 1 – 7 or 2 – 6 / 2 – 7 open	2 – 6 / 2 – 7 open	Actuator stays in position reached.
After interrupting the operating voltage, the actuator must return to the zero position.		

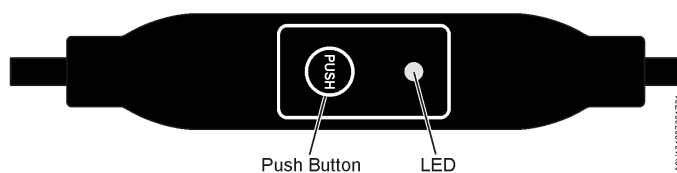
Note

Check the actuator operating states as per the truth table in chapter 9.3.

<p>Rotary movement: Modulating control GMA16..1</p>	<ul style="list-style-type: none"> • When applying a DC 10 V input signal, the actuator must turn from $0^\circ \Rightarrow 90^\circ / 90^\circ \Rightarrow 0^\circ$ (or to the end position of the rotary angle limitation). • After interrupting the operating voltage, the actuator must return to the mechanical zero position (spring return function). • After interrupting positioning signal Y, but while operating voltage is still supplied, the actuator returns to the zero position. • When the actuator moves from $0 \dots 90^\circ$, output voltage $U = \text{DC } 0 \dots 10 \text{ V}$ is generated as a position indication.
<p>Characteristic function GMA163.1, 164.1</p> <p><i>Note</i></p>	<p>Factory setting: The potentiometers for setting the offset U_0 and span ΔU are set to the following values: $U_0 = 0 \text{ V}$, $\Delta U = 10 \text{ V}$.</p> <p>Specify the values set for U_0 and ΔU in the plant papers.</p>
<p>Position indicator GMA16..1</p> <p>Feedback potentiometer GMA132.1</p>	<p>Check of output voltage: $U = \text{DC } 0 \dots 10 \text{ V}$ for rotary angle 90°.</p> <p>Measures resistance changes while the actuator turns.</p>
<p>Auxiliary switches A and B</p>	<ul style="list-style-type: none"> • Switchover of the auxiliary switch contacts "A" and "B" as soon as the actuator reaches the respective switching positions. • Set the setting shafts (part of the delivery) to the desired value by means of the adjustment tool. (See chapter 3.2, "Rotary range and mechanical limitation".)
<p><i>Important</i></p>	<p>The angle values are valid only for the zero position of the actuator and when no current is applied.</p>
<p>Factory setting</p>	<p>The auxiliary switches have the following settings:</p> <ul style="list-style-type: none"> • Switch A: Switchover point at 5°. • Switch B: Switchover point at 85°.

7.3 Modbus

7.3.1 HMI – Human-machine interface



Push button operation

Activity	Push-button operation	Confirmation
Display current address (starting with lowest address digit)	Press button < 1s	1-digits: red 10-digits: green 100-digits: orange If termination is switched on, LED flashes 1x blue after address display Example: 124 = 4x red, 2x green, 1x orange
Turn bus termination on / off turn on	1.press 3x 2.press 1x shortly 3.press button until LED shines red 4.release button	LED flashing and flickering stops (termination mode) LED flashes 1x blue LED shines red (confirmation) LED off Address display LED flashes 1x blue after address display Normal operation
turn off	1.press 3x 2.press button until LED shines red 3.release button	LED flashing and flickering stops (termination mode) LED shines red (confirmation) Normal operation
Enter Modbus address with push-button	Press button > 1s and < 5s	See chapter 'Push button addressing' below
Enter push-button addressing mode (for use with Climatix™ controllers)	1. Press button > 5s and < 10s 2. Release button	LED shines red and gets dark after 5s LED shines orange
Reset to factory settings	Press button > 10s	LED flashes orange

LED colors and patterns

Color	Pattern	Description
Green	1s on / 5s off	Normal operation ("life pulse") without bus traffic
	flashing	Normal operation ("life pulse") with bus traffic
Orange / green	1s orange / 1s green	Device is in override control
Orange	1s on / 1s off	Bus parameters not yet configured
	1s on / 5s off	Backup mode entered
Red	Steady	Mechanical fault, device jammed or manual override
	1s on / 5s off	Internal error
	0.1s on / 1s off	Invalid configuration, e.g. Min = Max
Blue	Flashes 1x after address display	Bus termination is set active.

Resetting the device by push button

1. Press button for >10s → LED starts flashing **orange**.
2. Release button while LED still flashes → LED keeps flashing for 3s.
3. If the button is pressed within these 3s, the reset is cancelled.
4. After those 3s → LED shines **red** (reset), then the device restarts.

7.3.2 Push button addressing

The Modbus address can be set without a separate tool by using push-button and LED. To display the current address, press button <1s.

Display current address (starting with lowest address digit)

Colors		
1-digits: red	10-digits: green	100-digits: orange

Example for address 124:	
LED	
NOTE	The address is entered and shown starting with lowest address digit, see figure above. (124 in the example is starting with 4x red)

Set new address (starting with lowest address digit)

1. **Enter addressing mode:** press button > 1s until LED shines **red**, then release button (before LED gets dark).
2. **Enter digits:** press button n-times → LED flashes per button press (feedback).
Colors: 1-digits: **red** / 10-digits: **green** / 100-digits: **orange**
3. **Store digits:** press button until LED shines in color of next digits → release button,
4. **Save address:** press button until LED shines **red** (confirmation) → release button.
An address can be stored at any time, i.e. after setting the 1-digits, or after setting the 1- and the 10-digits.
5. Entered address is repeated one times for confirmation.

Note

If button is released before LED shines red, the address is discarded.

Examples

Set address "124":

1. Enter addressing mode
2. Set 1-digits: Press button 4-times → LED flashes **red** per button press
3. Store 1-digits: press button until LED shines **green** – release button
4. Set 10-digits: Press button 2-times → LED flashes **green** per button press
5. Store 10-digits: press button until LED shines **orange** – release button
6. Set 100-digits: Press button 1-times → LED flashes **orange** per button press
7. Store address: press button until LED shines **red** – release button
→ address is stored and displayed 1x for confirmation

Set address "50":

1. Enter addressing mode
2. Skip 1-digits: Hold button pressed until LED shines **green** – release button
3. Set 10-digits: Press button 5-times → LED flashes **green** per button press
4. Store address (skip 100-digits): hold button pressed until LED shines **red** – release button
→ address is stored and displayed 1x for confirmation

Set address "5":

1. Enter addressing mode
2. Set 1- digit: Press button 5-times → LED flashes **green** per button press
Store address: press button until LED shines **red**
→ address is stored and displayed 1x for confirmation

7.3.3 Commissioning

Workflow 1

The devices are especially designed for using the Climatix push-button configuration as described in document A3975 ¹⁾. The bus configuration can alternatively be parameterized by the local HMI, cf. page 29.

During commissioning check/set the following:

- Bus configuration (address, baudrate, transmission mode, and optionally termination). The default address 255 allows to mount and power multiple actuators at the same time without interfering with each other.
- Damper actuator parameters (opening direction, position limits, position adaptation etc.) can be checked via the Modbus register.

¹⁾ The documents can be downloaded from <http://siemens.com/bt/download>

Workflow 2

The devices can be configured over bus if the pre-commissioning settings allow for a connection between the Modbus master / programming tool and peripheral devices (i.e. non-conflicting addresses and matching baudrate / transmission format).

- Full configuration over bus: If the address is unique per segment when powered up, the device can be accessed by the Modbus master (or programming tool) and the address and other parameters can then be set to the definitive values.
- Partial configuration over bus: If the address is not unique per segment when powered up, each device must get a non-conflicting address before connecting it to the bus, either by using the address input with push button (cf. page 30) or by setting the address to 246 with push button press > 5s und < 10s (cf. page 29). After addressing all devices, the remaining configuration can be done over the bus using the default settings for baudrate (auto-baud) and transmission mode for the Modbus master.
- Overwriting the bus configuration over bus uses a timeout. If „1 = Load“ is not written into Reg 768 within 30 seconds, all values are discarded.

Example: Table shows bus configuration registers before and after changing them over bus.

Reg.	Name	Pre-commissioning	New value (ex.)
764	Modbus Address	246	12
765	Baudrate	0 = auto	1 = 9600
766	Transmission Format	0 = 1-8-E-1	3 = 1-8-N-2
767	Termination	0 = Off	0 = Off
768	Bus Conf. Command	0 = Ready	1 = Load

7.3.4 Modbus registers

Reg.	Name	R/W	Unit	Scaling	Range / enumeration
Process Values					
1	Setpoint	RW	%	0.01	0..100
2	Override control	RW	--	--	0 = Off / 1 = Open / 2 = Close 3 = Stop / 4 = GoToMin / 5 = GoToMax
3	Actual position	R	%	0.01	0..100
256	Command	RW	--		0 = Ready / 1 = Adaption / 2 = Selftest 3 = ReInitDevice / 4 = RemoteFactory Reset

Parameters					
257	Opening direction	RW	--	--	0 = CW / 1 = CCW
258	Adaptive Mode	RW	--	--	0 = Off / 1 = On
259	Operating Mode	RW	--	--	1 = POS
260	MinPosition	RW	%	0.01	0..100
261	MaxPosition	RW	%	0.01	0..100
262	Actuator Running Time	R	s	1	90
513	Backup Mode	RW	--	--	0 = Go to BackupPosition 1 = Keep last position 2 = Disabled
514	Backup Position	RW	%	0.01	0..100
515	Backup Timeout	RW	s	1	0..65535
516	Startup Setpoint	RW	%	0.01	0..100
764	Modbus Address	RW	--	--	1..247 / 255 = "unassigned"
765	Baudrate	RW	--	--	0 = auto / 1 = 9600 / 2 = 19200 3 = 38400 / 4 = 57600 / 5 = 76800 6 = 115200
766	Transmission Format	RW	--	--	0 = 1-8-E-1 / 1 = 1-8-O-1 2 = 1-8-N-1 / 3 = 1-8-N-2
767	Bus Termination	RW	--	--	0 = Off / 1 = On
768	Bus Conf. Command	RW	--	--	0 = Ready / 1 = Load / 2 = Discard
769	Status	R	--	--	See below, Register 769 "Status"

Reg.	Name	R/W	Value	Example																				
Device information																								
1281	Factory Index	R	Two bytes, each coding an ASCII char.	00 5A → 00 "Z" Device is of Series "Z"																				
1282	Factory Date HWord	R	Two bytes, the lower coding the Year (hex)	Read 1282 → 000F Read 1283 → 0418																				
1283	Factory Date LWord	R	High byte: coding the month (hex) Low byte: coding the day (hex)	<table border="1"> <thead> <tr> <th></th> <th colspan="2">HWord</th> <th colspan="2">LWord</th> </tr> <tr> <th></th> <th>--</th> <th>YY</th> <th>MM</th> <th>DD</th> </tr> </thead> <tbody> <tr> <td>Hex</td> <td>00</td> <td>0F</td> <td>04</td> <td>18</td> </tr> <tr> <td>Dec</td> <td>00</td> <td>15</td> <td>04</td> <td>24</td> </tr> </tbody> </table> → Device was manufactured 24 April, 2015		HWord		LWord			--	YY	MM	DD	Hex	00	0F	04	18	Dec	00	15	04	24
	HWord		LWord																					
	--	YY	MM	DD																				
Hex	00	0F	04	18																				
Dec	00	15	04	24																				
1284	Factory SeqNo HWord	R	Hword + LWord = HEX-representation of Sequence number:	Read 1284 → 000A																				
1285	Factory SeqNo LWord	R		Read 1285 → A206 AA206(hex) → 696838 (dec) → Device has sequence number 696838																				
1409	ASN [Char_16..15]	R	Each register: Two bytes, each coding an ASCII char. ASN is coded beginning with reg. 1409	Example: 0x47 44 = GD 0x42 31 = B1 0x38 31 = 81 0x2E 31 = .1 0x45 2F = E/ 0x4D 4F= MO → ASN is GDB181.1E/MO																				
1410	ASN [Char_14..13]	R																						
1411	ASN [Char_12..11]	R																						
1412	ASN [Char_10..9]	R																						
1413	ASN [Char_8..7]	R																						
1414	ASN [Char_6..5]	R																						
1415	ASN [Char_4..3]	R		Reserve																				
1416	ASN [Char_2..1]	R																						

Register 769 "Status"

Status			
Bit 00	1 = reserved	Bit 06	1 = Adaption done
Bit 01	1 = Backup mode active	Bit 07	1 = Adaption in progress
Bit 02	1 = reserved	Bit 08	1 = Adaption error
Bit 03	1 = reserved	Bit 09	1 = Selftest failed
Bit 04	1 = Mechanical fault, device jammed or manual override	Bit 10	1 = Selftest passed
Bit 05	1 = Nom. lifetime exceeded	Bit 11	1 = Invalid configuration


Supported function codes

Function codes	
03 (0x03)	Read Holding Registers
04 (0x04)	Read Input Registers
06 (0x06)	Write Single Register
16 (0x10)	Write Multiple Registers (Limitation: Max. 120 registers within one message)


7.3.5 Parameter and function description

Function	Reg.	Description
Override control	2	<p>The actuator can be operated in override control for commissioning / maintenance purposes or system-wide functions (e.g. night-cooling).</p> <ul style="list-style-type: none"> • Manual override: When the gear disengagement is used to freely adjust the damper position, a mechanical jam will be detected if a mismatch between setpoint and actual position persists for more than 10s. • Remote override: The actuator enters this state when an override command is sent over the bus. • Available commands: <ul style="list-style-type: none"> ○ Open / Close (depends on opening direction) ○ Min / Max (depends on Min/Max settings) ○ Stop
Adaptive positioning	258	<ul style="list-style-type: none"> • For air dampers where the opening range is smaller than the nominal opening range 0...90°, the feedback signal can be adapted to have the actual opening range represented as 0...100%. • Using adaptive positioning makes the actuator driving to its end positions at the first startup after activating the adaptive positioning. • To trigger the adaptation again after the first startup, either the command "CalibrateAdaption" (Write "1" into register no. 256), or the adaptive positioning can be turned off and on again.
Backup mode	513, 514, 515	<ul style="list-style-type: none"> • In case the communication to the controller is lost, the device can be configured to go into a defined state. • Default setting mode is "keep last setpoint", i.e. in case of communication loss, the device controls to the last received setpoint. • If the backup mode is enabled, it can be configured as follows: <ul style="list-style-type: none"> ○ go to a predefined backup position ○ keep current position
Restarting the device	256	<p>Restarting is possible by:</p> <ul style="list-style-type: none"> • Power-reset (turning operating voltage off and on) or • by "RelnitDevice" command. <p>→ Device re-initializes and sets all process values to defaults.</p>
Reset		<p>The actuator supports the following re-initialization / reset behaviour:</p> <ul style="list-style-type: none"> • Local reset by push-button • Remote reset: Using "RemoteFactoryReset" command. <p>Effect of reset: Process values: set to ex-works default values.</p> <ul style="list-style-type: none"> • Parameters: <ul style="list-style-type: none"> ○ Application and actuator parameters are set to factory defaults, ○ Network parameters are reset only in case of local reset, not by remote reset (otherwise loss of communication). • Not reset are: Counters, status flags, device info, and factory data.
Self test	256	<p>When triggered, the self test drives the actuator to the detected limits and sets the flags in register 769 according to the result (bit 09 = 1 → "failed" or bit 10 = 1 → "passed").</p> <p>The self test is not passed when the limits were not reached from the lower end (results in jam). If the Min/Max limits can be exceeded, the self test is not evaluated as failed.</p>

8 Technical data

 Supply, AC 24 V/
DC 24...48 V
(SELV/PELV)
for GMA12..., GMA13...,
GMA16..

Operating voltage AC	AC 24 V ± 20 % or AC 24 V class 2 (US)
Frequency	50/60 Hz
Operating voltage DC GMA..1E/MO	DC 24...48 V ± 20 % DC 24 V ± 20 %
Safety extra-low voltage (SELV) or Protection by extra-low voltage (PELV) as per Requirements for external safety insulating transformer (100% duty)	HD 384 as per EN 61 558
Supply line fuse	max. 10 A
Power consumption: GMA1.. : Running	AC: 5 VA / 3.5 W
GMA1.. : Running	DC: 3.5 W (with DC 24 V)
GMA12..., GMA13.. : Holding	AC/DC: 2 W
GMA16.. : Holding	AC/DC: 2.5 W

 AC 230 V supply
for GMA32..1

Operating voltage	AC 230 V ± 10 %
Frequency	50/60 Hz
Supply line fuse	max. 10 A
Power consumption: Running	7 VA / 4.5 W
Holding	3.5 W

Function data

Nominal torque	7 Nm
Maximum torque (blocked)	21 Nm
Min. resetting torque (on power failure)	7 Nm
Min. holding torque	7 Nm
Nominal rotary angle (with position indication)	90 °
Maximum rotary angle (mechanic limitation)	95° \pm 2°
Runtime for rotary angle 90° (motor operation)	90 s
Closing time with return spring (on power failure)	15 s
Rotary direction defined by: Mounting type (GMA...1)	clockwise/counterclockwise
Mechanical life	10 ⁵ cycles

 Inputs

Positioning signal for GMA12..1
Positioning signal for GMA32..1
Positioning signal for GMA13..1

Operating voltage AC 24 V/DC 24...48 V (wires 1-2)	Open (0° \Rightarrow 90°)
Operating voltage AC 230 V (wires 3-4)	Open (0° \Rightarrow 90°)
Operating voltage AC 24 V/DC 24...48 V (wires 1-2)	
Open: Switching current (wires: AC 1-6 / 2-6; DC 2-6)	> AC/DC 8 mA
Close: Switching current (wires: AC 1-7 / 2-7; DC 2-7)	> AC/DC 8 mA

Positioning signal
for GMA16..1

Input voltage Y (wires 8-2)	DC 0...10 V / 2...10 V
Current consumption	0.1 mA
Input resistance	> 100 k Ω
Max. permissible input voltage	DC 35 V
Protected against faulty wiring	max. AC 24 V/DC 24...48 V
Neutral zone for non-adjustable characteristic function for adjustable characteristic function	200 mV 2 % of ΔU
Hysteresis for non-adjustable characteristic function for adjustable characteristic function	70 mV 0.7 % of ΔU

Communication

Modbus RTU	RS-485, not galvanically separated
Number of nodes	Max. 32
Address range	1...247 / 255 Default: 255
Transmission formats	1-8-E-1 / 1-8-O-1 / 1-8-N-1 / 1-8-N-2 Default: 1-8-E-1
Baudrates (kBaud)	Auto / 9.6 / 19.2 / 38.4 / 57.6 / 76.8 / 115.2 Default: Auto
Termination	120 Ω el. Switchable Default: Off

Adjustable characteristic
function for GMA163.1, 164.1

Adjustable with 2 potentiometers	
Offset U ₀	DC 0...5 V
Span ΔU	DC 2...30 V
Max. permissible input voltage	DC 35 V
Protected against faulty wiring	max. AC 24 V/DC 24...48 V

35/44

⚠ Outputs

Position indicator for GMA16..1	Output signal (wires 9-2)		
	Output voltage U	DC 0...10 V	
	Max. output current	DC ± 1 mA	
	Protected against faulty wiring	max. AC 24 V/DC 24 V	
Feedback potentiometer for GMA132.1	Change of resistance (wires P1-P2)	0...1000 Ω	
	Load	< 1 W	
	Max. sliding contact current	< 10 mA	
	Permissible voltage at potentiometer (SELV/PELV)	max. AC 24 V/DC 24 V	
	Insulation resistance between potentiometer and housing	AC 500 V	
⚠ Auxiliary switch for GMA..6.1, GMA164.1,	AC power supply		
	Switching voltage	AC 24...230 V	
	Nominal current res./ind.	6 A / 2 A	
	Life: 6 A res., 2 A ind.	10 ⁴ cycles	
	without load	10 ⁶ cycles	
	DC power supply		
	Switching voltage	DC 12..30 V	
	Nominal current	DC 2 A	
	Electric strength auxiliary switch against housing	AC 4 kV	
	Switching range for auxiliary switches	5°...90°	
	Setting increments	5°	
	Switching hysteresis	2°	
	Factory switch setting		
	Switch A	5°	
	Switch B	85°	
	Connection cables	Cross section of prewired connection cables	0.75 mm ²
		Standard cable length	0.9 m
Permissible length for signal lines (non-communicative types)		300 m (see chapter 6)	
Degree of protection of housing	Degree of protection as per EN 60 529	IP 54	
Protection class	Insulation class	as per EN 60 730	
	AC/DC 24 V, Feedback potentiometer	III	
	AC 230 V, Auxiliary switch	II	
Environmental conditions	Operation	IEC 60 721-3-3	
	Climatic conditions	class 3K5	
	Mounting location	interior, weather-protected	
	Temperature	-32...+55 °C	
	Humidity (non-condensing)	< 95 % r.h.	
	Transport	IEC 60 721-3-2	
	Climatic conditions	class 2K3	
	Temperature	-32...+70 °C	
	Humidity (non-condensing)	< 95 % r.h.	
	Mechanical conditions	class 2M3	
Standards and directives	Product safety		
	Automatic electrical controls for household and similar use	EN 60 730-2-14, (Type 1)	
	Electromagnetic compatibility (Application)	For residential, commercial and industrial environments	
	EU Conformity (CE)	8000081792 ¹⁾	
	RCM Conformity	8000081793 ¹⁾	
	EAC Conformity	Eurasia conformity for all GMA.. variants	
	UL, cUL	UL 873 http://ul.com/database	
	Product environmental declaration ²⁾	CE1E4614en ¹⁾ and A6V101083254en ¹⁾	
Dimensions	Actuator W x H x D (see "Dimensions")	81 x 192 x 63 mm	
	Damper shaft		
	Round	6.4...20.5 mm	
	Square	6.4...13 mm	
	Min. length	20 mm	
	Max. shaft hardness	< 400 HV	
Weight	Weight without packaging		
	GMA1..1	1.2 kg	
	GMA321.1, 326.1	1.3 kg	
	GMA161.1E/MO	1.4 kg	

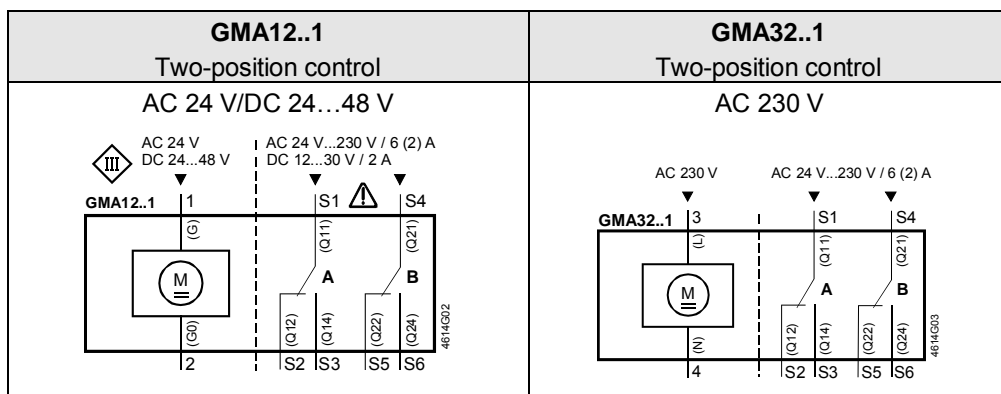
¹⁾ The documents can be downloaded from <http://siemens.com/bt/download>

²⁾ The product environmental declaration contains data on environmentally compatible product design and assessments (RoHS compliance, materials composition, packaging, environmental benefit, disposal).

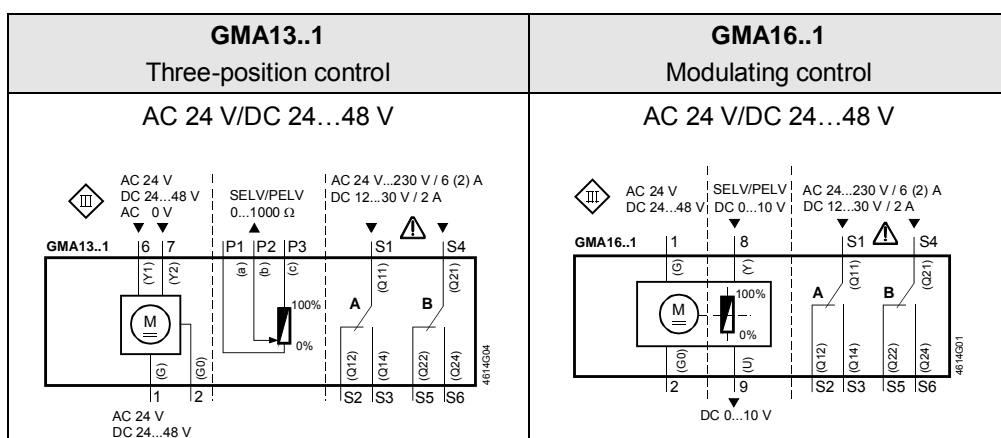
9 Diagrams

9.1 Internal diagrams

Two-position control



Three-position control Modulating control Y = DC 0...10 V, 0...35 V



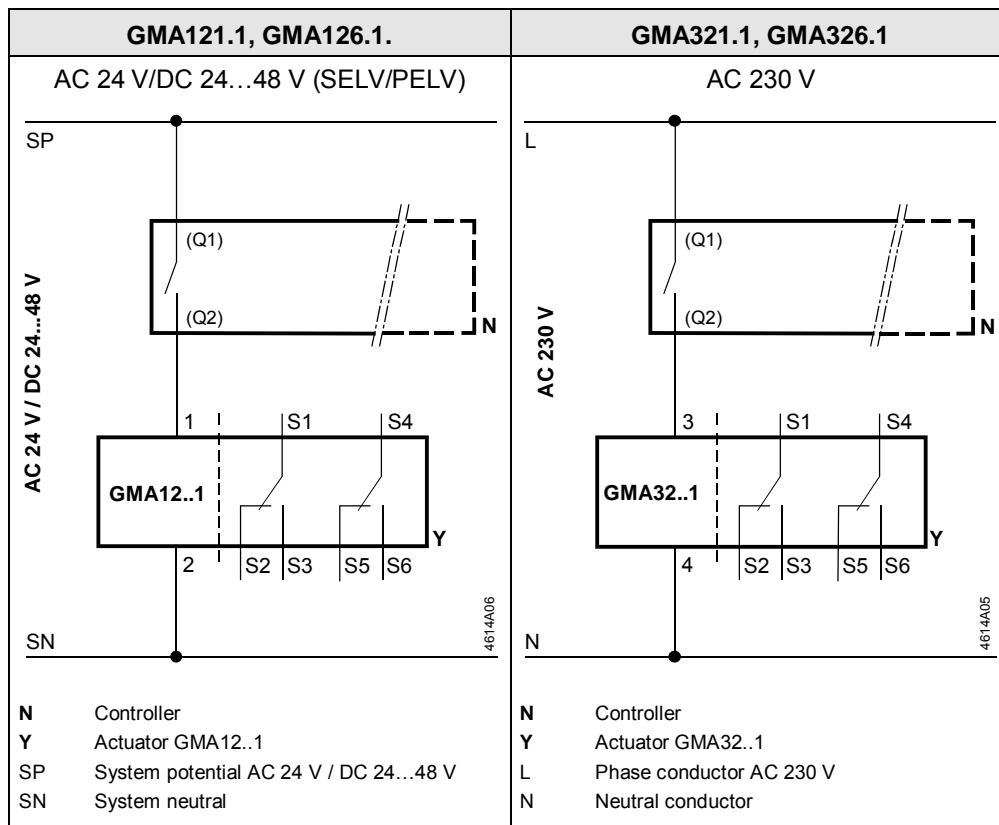
9.2 Cable labeling

All wires are color-coded and labeled.

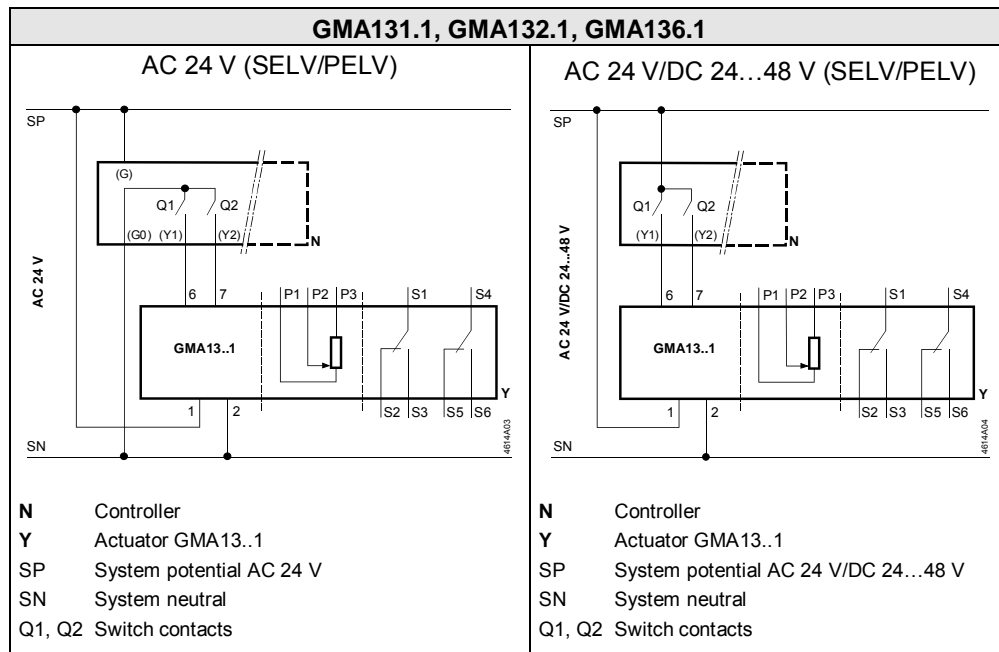
Pin	Cable			Meaning
	Code	No.	Color Abbreviation	
Actuators AC 24 V DC 24...48 V	G	1	red RD	System potential AC 24 V/DC 24...48 V
	G0	2	black BK	System neutral
	Y1	6	purple VT	Pos. signal AC 0 V, AC 24 V/DC 24...48 V "Open"
	Y2	7	orange OG	Pos. signal AC 0 V, AC 24 V/DC 24...48 V "Close"
	Y	8	grey GY	Pos. signal DC 0...10 V, 0...35 V
Modbus types	U	9	pink PK	Position indication DC 0...10 V
	REF	6	violet VT	Reference (Modbus RTU)
	+	8	gray GY	Bus + (Modbus RTU)
Actuators 230 V AC	-	9	pink PK	Bus - (Modbus RTU)
	L	3	brown BN	Phase AC 230 V
Auxiliary switch	N	4	blue BU	Neutral conductor
	Q11	S1	grey/red GY RD	Switch A input
	Q12	S2	grey/blue GY BU	Switch A normally-closed contact
	Q14	S3	grey/pink GY PK	Switch A normally-open contact
	Q21	S4	black/red BK RD	Switch B input
	Q22	S5	black/blue BK BU	Switch B normally-closed contact
Feedback potentiometer	Q24	S6	black/pink BK PK	Switch B normally-open contact
	a	P1	white/red WH RD	Potentiometer 0...100 % (P1-P2)
	b	P2	white/blue WH BU	Potentiometer pick-off
	c	P3	white/pink WH PK	Potentiometer 100...0 % (P3-P2)

9.3 Connection diagrams (two-pos./three-pos.)

Two-position
GMA12..1, 32..1



Three-position control
GMA13..1



Operating states of GMA13..1

The table below shows the actuator's operating states for three-position control in dependence of mounting position and setting of switch contacts Q1 and Q2.

Controller contacts		Operating state	Rotary direction	
Q1	Q2			
		Remains in current position		
		Opens		
		Closes		
		Closes		
Mounting position of actuator GMA13..1				

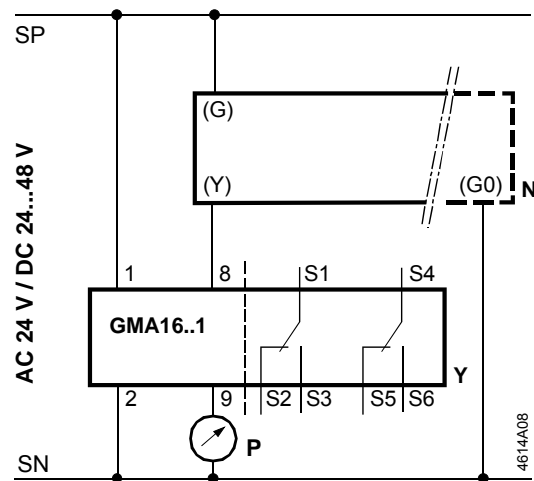
4614T02en

9.4 Connection diagrams (modulating)

9.4.1 Typical application

The controller output is connected directly to the actuator input.

GMA16..1



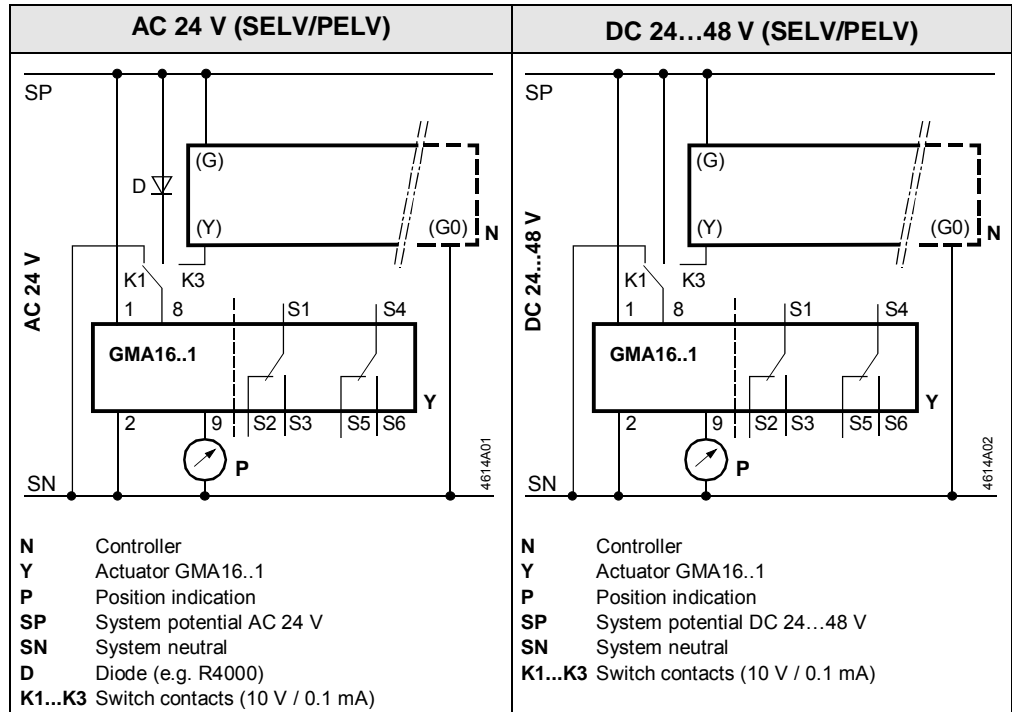
- N** Controller
- Y** Actuator GMA16..1
- P** Position indication
- SP** System potential
- SN** System neutral

4614A08

9.4.2 Special switchings for modulating control

The following connections enable different operating states of the actuator depending on the position of the changeover switch featuring switch contacts K1, K2, K3 (see table of operating states below).

Modulating control,
fully open, fully locked
with
GMA16..1



Operating states of
GMA16..1

Switch contacts	Operating state	Rotary direction	
		↺	↻
K3	Control operation	↺	↻
K2	Fully open *)	↺	↻
K1	Fully closed	↺	↻
Mounting position for actuator GMA16..1			

Note
GMA163.1, 164.1

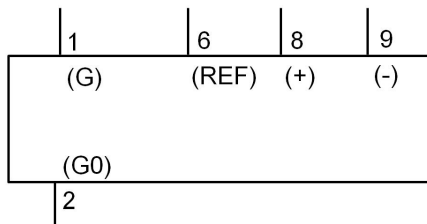
*) Actuators with adjustable characteristic function: Full opening cannot be reached (dependent on U_0 , ΔU) in this position (switch contact K2).

9.5 Connection diagrams (networked)

9.5.1 Typical application

GMA161.1E/MO

The application controller is connected to the actuator by the bus cable.




10 Environmental compatibility and disposal


General notes

This actuator was developed and manufactured by using environmentally-compatible materials and by complying with our environmental standards.

For disposal, please remember the following at the end of product life or on defects:

- As a rule, dispose of all waste in an environmentally compatible manner and in accordance with environmental, recycling, and disposal techniques. **Adhere to all local and applicable laws.**
- The aim is to achieve maximum recyclability at the lowest possible pollution. To do this, note the various material and disposal notes printed on specific parts.

	<p>⚠ WARNING</p>
	<p>Tensioned return spring</p> <p>Opening the actuator housing can release the tensioned return spring resulting in flying parts that may cause injury.</p> <ul style="list-style-type: none"> • Do not open the actuator body.

	<p>The device is considered electrical and electronic equipment for disposal in terms of the applicable European Directive and may not be disposed of as domestic garbage.</p> <ul style="list-style-type: none"> • Dispose of the device through channels provided for this purpose. • Comply with all local and currently applicable laws and regulations.
---	--

Product-specific note

Spring return actuators contain pre-tensioned springs. Only trained personnel may open (by means of special tools) and dispose of such actuators.

Environmental declaration

The environmental declarations for these actuators contain detailed information on the materials and volumes used. Request a declaration at your local dealership.

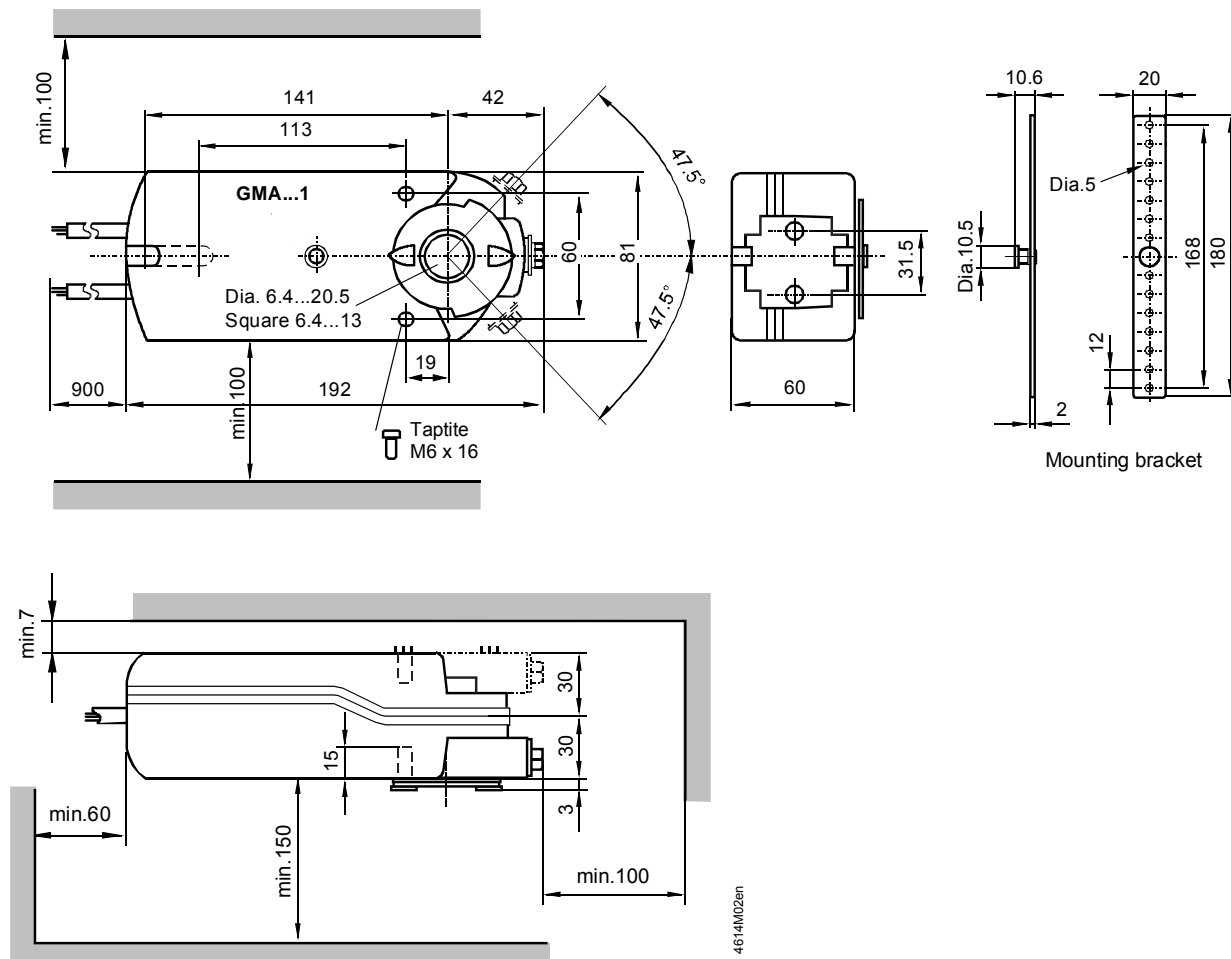
11 Appendix

Chapter contents

This chapter contains:

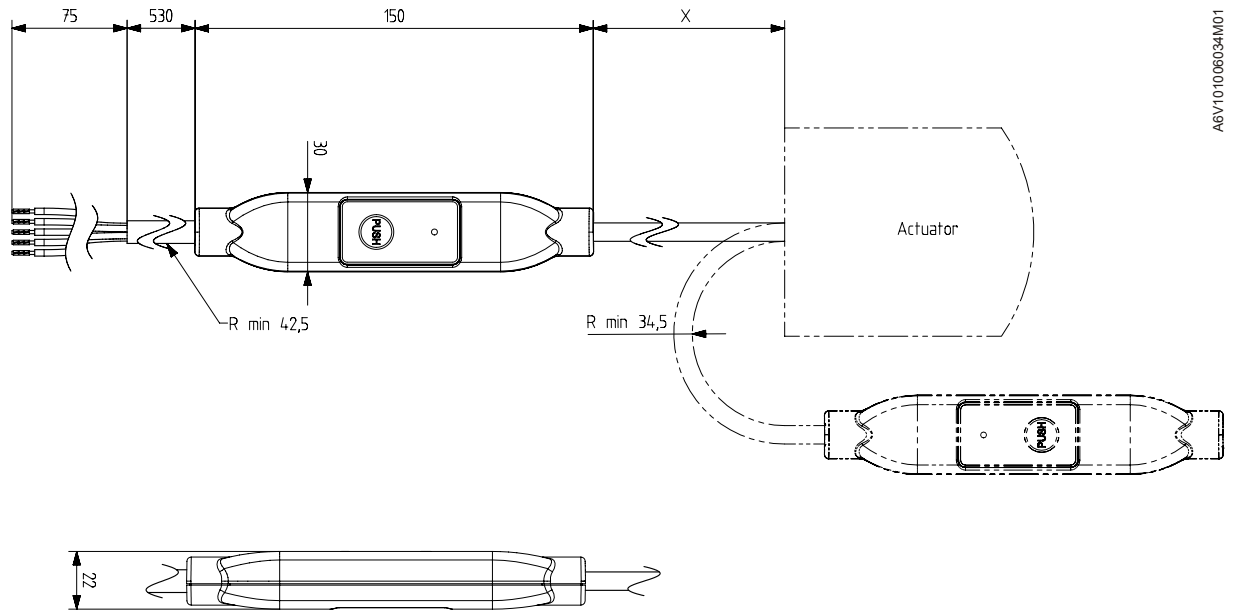
- Actuator dimensions
- Referenced documents
- Standards and directives

11.1 Dimensions



Dimensions in mm

External Modbus Interface



X = 220 mm

Dimensions in mm

11.2 Referenced documents

Purpose of this listing	The previous chapters contain all information relevant to safety and project-specific requirements, mounting, wiring, and commissioning of actuators.
Documents and standards	The following list contains all documents referenced by this document on basics: <ul style="list-style-type: none"> • Data sheets (N....) with detailed specifications • Basic documentation (Z....) with basics on air damper actuators • Mounting instructions (M....), documents supplied with product
Note	The document and classification numbers listed in the table below match those of the database "STEP" on the company-internal Intranet.

Technical documentation

Type series GMA...1

Document number (Classification no.)	Title/Description	Contents
N4614en (N4614)	Data sheet: Actuators for air dampers, rotary version with spring return (GMA...1: Two-pos., three-pos., modulating).	Type overview, function and selection criteria.
A6V101037201	Data sheet: Air Damper Actuators Modbus RTU, GMA.., GCA.. Spring return types	Type overview, function and selection criteria.
Z4614en (Z4614)	Basic documentation: Technical basics, spring return actuators GMA....1 (this document).	Technical basics for engineering, mounting, wiring, and commissioning.
74 319 0108 0 (M4614)	Mounting instructions : GMA...1.	Instructions on mounting a rotary actuator with spring return.
A6V101006034	Installation Instruction: G..161../MO S..6../MO	Installation of types with external Modbus interface.

Accessories for type series GMA...1

N4697en (N4697)	Accessories and spare parts for actuators GMA...1	Overview, allocation to actuator type, and application.
N4615en (N4615)	External auxiliary switches ASC77..	Type overview and function
74 319 0236 0 (M4614.1)	Universal lever ASK71.9	Deliverables and Mounting instructions
74 319 0237 0 (M4614.2)	Rotary/linear set for duct and wall mounting ASK71.11	
74 319 0238 0 (M4614.3)	Rotary/linear set with lever ASK71.13	
74 319 0239 0 (M4614.4)	Rotary/linear set with lever and mounting plate ASK71.14	
74 319 0240 0 (M4614.5)	Weather protection cover ASK75.3	
74 319 0241 0 (M4614.6)	Mounting bracket for tandem-mounted actuators or Powerpack ASK73.3	
74 319 0431 0 (M4615)	External auxiliary switches ASC77..	

Standards and directives

HD 384	Electrical installations in buildings
EN 61 558	Safety of transformers, power supply units and similar equipment
EN 60 730	Automatic electrical controls for household and similar use
IEC/EN 61 000-6-1	Electromagnetic compatibility: Immunity
IEC/EN 61 000-6-2	Electromagnetic compatibility: Immunity
IEC/EN 61 000-6-3	Electromagnetic compatibility: Emissions
89/336/EEC	Directives on electromagnetic compatibility
73/23/EEC	Low voltage directive

Issued by
Siemens Switzerland Ltd
Building Technologies Division
International Headquarters
Theilerstrasse 1a
6300 Zug
Switzerland
Tel. +41 58-724 24 24
www.siemens.com/buildingtechnologies

© Siemens Switzerland Ltd, 2005
Technical specifications and availability subject to change without notice.