

Rotary actuator fail-safe for zone valves

- Nominal voltage AC 100...240 V
- Control Open/close
- Snap-assembly of the actuator
- Flow setting variable
- Deenergised closed (NC)


Technical data

Electrical data	Nominal voltage	AC 100...240 V
	Nominal voltage frequency	50/60 Hz
	Nominal voltage range	AC 85...265 V
	Power consumption in operation	2.5 W
	Power consumption in rest position	0.5 W
	Power consumption for wire sizing	5 VA
	Connection supply / control	Cable 1 m, 2 x 0.34 mm ²
	Parallel operation	Yes (note the performance data)
Functional data	Torque motor	1 Nm
	Direction of motion fail-safe	fix deenergised closed (end stop NC = 0%)
	Manual override	with actuator (clicked out)
	Running time motor	75 s / 90°
	Running time fail-safe	60 s / 90°
	Sound power level, motor	35 dB(A)
	Sound power level, fail-safe	35 dB(A)
	Position indication	Mechanical
Flow setting	see product features	
Safety data	Protection class IEC/EN	II, reinforced insulation
	Degree of protection IEC/EN	IP40
	EMC	CE according to 2014/30/EU
	Low voltage directive	CE according to 2014/35/EU
	Certification IEC/EN	IEC/EN 60730-1 and IEC/EN 60730-2-14
	Mode of operation	Type 1
	Rated impulse voltage supply / control	2.5 kV
	Pollution degree	2
	Ambient temperature	5...40°C
	Storage temperature	-40...80°C
	Ambient humidity	Max. 95% RH, non-condensing
	Servicing	maintenance-free
Weight	Weight	0.18 kg
Terms	Abbreviations	POP = Power off position / fail-safe position PF = Power fail delay time / bridging time

Safety notes



- This device has been designed for use in stationary heating, ventilation and air-conditioning systems and must not be used outside the specified field of application, especially in aircraft or in any other airborne means of transport.
- Outdoor application: only possible in case that no (sea) water, snow, ice, insolation or aggressive gases interfere directly with the device and that it is ensured that the ambient conditions remain within the thresholds according to the data sheet at any time.
- Caution: Power supply voltage!
- Only authorised specialists may carry out installation. All applicable legal or institutional installation regulations must be complied during installation.
- The device may only be opened at the manufacturer's site. It does not contain any parts that can be replaced or repaired by the user.
- Cables must not be removed from the device.
- The device contains electrical and electronic components and must not be disposed of as household refuse. All locally valid regulations and requirements must be observed.

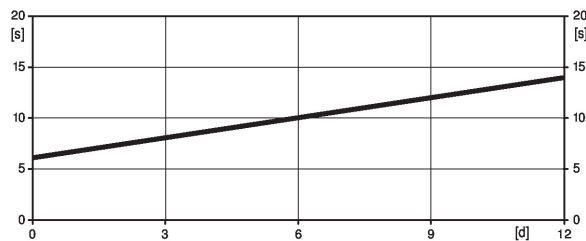
Product features

Mode of operation The actuator moves the valve to the desired operating position at the same time as the integrated capacitors are loaded.

Interrupting the supply voltage causes the valve to be moved to the fail-safe position by means of stored electrical energy, taking into account the bridging time (PF) of 1 s set at the factory.

Pre-charging time (start up) The capacitor actuators require a pre-charging time. This time is used for charging the capacitors up to a usable voltage level. This ensures that, in the event of a power failure, the actuator can move at any time from its current position into the fail-safe position. The duration of the pre-charging time depends mainly on how long the power was interrupted.

Typical pre-charging time



[d] = Electricity interruption in days
[s] = Pre-charging time in seconds

	[d]				
	0	3	6	9	12
[s]	6	8	10	12	14

Delivery condition (capacitors) The actuator is completely discharged after delivery from the factory, which is why the actuator requires approximately 25 s pre-charging time before initial commissioning in order to bring the capacitors up to the required voltage level.

Simple direct mounting Tool-free snap assembly.

The actuator can be plugged on the valve by hand (Caution! Just vertical movements). Pins must match the holes on the flange.

The mounting orientation in relation to the valve can be selected in 180° increments. (Possible two times)

Manual override Click out the actuator and rotate the valve spindle with the help of the actuator.

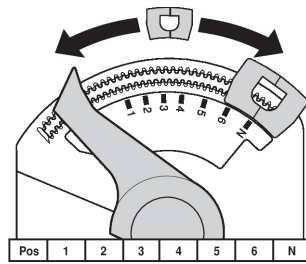
Adjustable angle of rotation The angle of rotation of the actuator can be changed by clip in 2.5° increments. This is used to set the maximum flow rate of the valve.

High functional reliability The actuator is overload protected, requires no limit switches and automatically stops when the end stop is reached.

Flow setting Adjustable kv-values (C2..Q-., C4..Q-.) / Vmax-values (C2..QP(T)-.) are given in the respective zone valve data sheets.

2-way valve: Remove end stop clip and place at desired position.

3-way valve: Remove end stop clip (change-over application).



Accessories

Mechanical accessories	Description	Type
	Spindle extension CQ	ZCQ-E
	End stop clip, Multipack 20 pcs.	Z-ESCM

Electrical installation

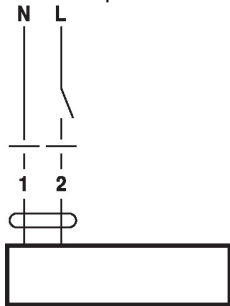


Caution: Power supply voltage!

Parallel connection of other actuators possible. Observe the performance data.

Wiring diagrams

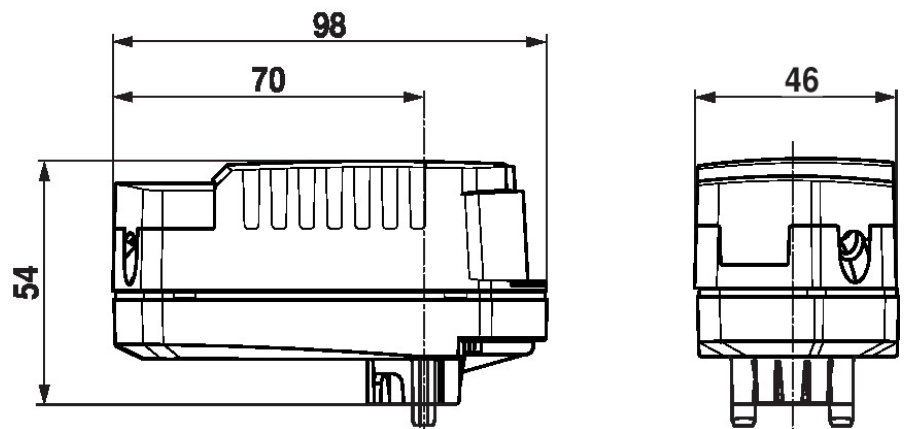
AC 230 V, open/close



Cable colours:

- 1 = blue
- 2 = brown

Dimensions



Further documentation

- The complete product range for water applications
- Data sheet for zone valves
- Installation instructions for zone valves and actuators
- General notes for project planning