

- Actuating force 500 N
- Nominal voltage AC/DC 24 V
- Control modulating 2...10 V
- Stroke 5.5 mm



Technical data

<b>Electrical data</b>	Nominal voltage	AC/DC 24 V
	Nominal voltage frequency	50/60 Hz
	Nominal voltage range	AC 19.2...28.8 V / DC 21.6...28.8 V
	Power consumption in operation	1 W
	Power consumption for wire sizing	2.5 VA
	Connection supply / control	Terminals 4 mm <sup>2</sup> (cable Ø6...8 mm, 4-wire)
	Parallel operation	Yes (note the performance data)
<b>Functional data</b>	Actuating force motor	500 N
	Operating range Y	2...10 V
	Input Impedance	100 kΩ
	Operating range Y variable	0...10 V
	Position feedback U	2...10 V
	Position feedback U note	Max. 1 mA
	Position accuracy	±5%
	Manual override	temporary and permanent gear disengagement with rotary knob on the housing
	Stroke	5.5 mm
	Actuator-valve interface	M30x1.5
	Running time motor	140 s / 5.5 mm
	Duty cycle value	75% (= active time 140 s / operating time 187 s)
	Sound power level, motor	35 dB(A)
	Position indication	Reversible scale plate
<b>Safety data</b>	Protection class IEC/EN	III, Safety Extra-Low Voltage (SELV)
	Degree of protection IEC/EN	IP40
	EMC	CE according to 2014/30/EU
	Mode of operation	Type 1
	Rated impulse voltage supply / control	0.8 kV
	Pollution degree	3
	Ambient temperature	0...50°C
	Storage temperature	-30...80°C
	Ambient humidity	Max. 95% RH, non-condensing
	Servicing	maintenance-free
<b>Weight</b>	Weight	0.38 kg

## Safety notes



- This device has been designed for use in stationary heating, ventilation and air-conditioning systems and must not be used outside the specified field of application, especially in aircraft or in any other airborne means of transport.
- Only authorised specialists may carry out installation. All applicable legal or institutional installation regulations must be complied during installation.
- The actuator is to be protected against moisture. It is not suitable for outdoor applications.
- The device does not contain any parts that can be replaced or repaired by the user.
- The device contains electrical and electronic components and must not be disposed of as household refuse. All locally valid regulations and requirements must be observed.
- The correct functioning of the strain relief for the cable in the actuator housing is to be checked.

## Product features

<b>Mode of operation</b>	The actuator is connected with a standard modulating signal of 2...10 V and drives to the position defined by the positioning signal. Measuring voltage U serves for the electrical display of the valve position 0.5...100% and as slave control signal for other actuators.
<b>Simple direct mounting</b>	Straightforward direct mounting on the valve with one knurled nut.
<b>Manual override</b>	Manual override with lever possible. Temporary gear disengagement by pushing the rotary knob. Permanent disengagement by pushing and simultaneous rotating the rotary knob clockwise 90°.
<b>High functional reliability</b>	The actuator is overload protected and automatically stops when the end stop is reached.

## Electrical installation



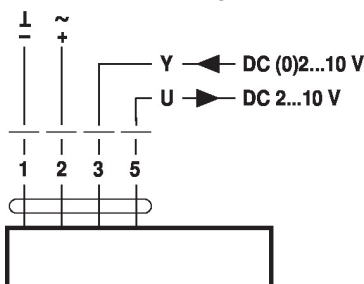
**Supply from isolating transformer.**

**Parallel connection of other actuators possible. Observe the performance data.**

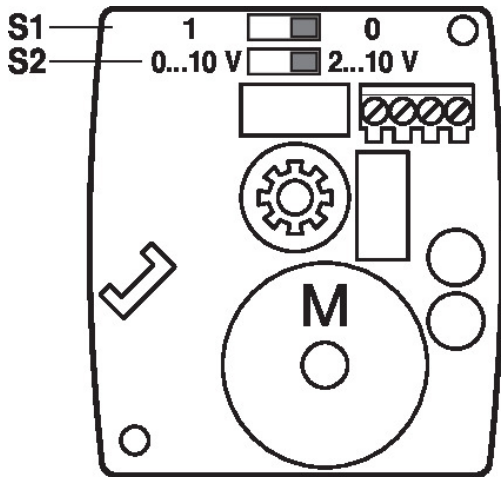
**Factory setting: Operating range/position feedback 2...10 V (can be switched to 0.5...10 V)**

## Wiring diagrams

AC/DC 24 V, modulating



Operating controls and indicators



S1		
0 *		Y = 0%
1		Y = 0%

S2	
2 ... 10 V *	
0 ... 10 V	

Dimensions

Dimensional drawings

