

Changeover ball valve, 3-way, Internal thread

- For open and closed cold and warm water systems
- For switching functions and 2-point controls on the water side of air-handling units and heating systems
- Air-bubble tight


Type overview

Type	DN	Rp ["]	kvs [m³/h]	PN
R3015-BL1	15	1/2	5.5	40
R3020-BL2	20	3/4	11	40
R3025-BL2	25	1	10	40
R3032-BL2	32	1 1/4	9	40
R3032-BL3	32	1 1/4	15	25
R3040-BL3	40	1 1/2	14	25
R3040-BL4	40	1 1/2	47	25
R3050-BL3	50	2	24	25
R3050-BL4	50	2	75	25

Technical data

Functional data	Fluid	Cold and warm water, water with glycol up to max. 50% vol.	
	Fluid temperature	-10...100°C	
	Fluid temperature note	At a fluid temperature of -10...2°C, a stem heating or a valve neck extension is recommended. The allowed fluid temperature can be limited, depending on the type of actuator. Limitations can be found in the respective data sheets of the actuators.	
	Close-off pressure Δp_s	500 kPa	
	Differential pressure Δp_{max}	350 kPa	
	Differential pressure note	200 kPa for low-noise operation	
	Leakage rate	air-bubble tight, leakage rate A (EN 12266-1)	
	Angle of rotation	90°	
	Pipe connection	Internal thread according to ISO 7-1	
	Installation position	upright to horizontal (in relation to the stem)	
	Servicing	maintenance-free	
	Materials	Valve body	Nickel-plated brass body
		Body finish	nickel-plated
Closing element		Chrome-plated brass	
Stem		Nickel-plated brass	
Stem seal		EPDM O-ring	
Seat		PTFE, O-ring EPDM	

Safety notes


- The valve has been designed for use in stationary heating, ventilation and air-conditioning systems and must not be used outside the specified field of application, especially in aircraft or in any other airborne means of transport.
- Only authorised specialists may carry out installation. All applicable legal or institutional installation regulations must be complied during installation.
- The valve does not contain any parts that can be replaced or repaired by the user.
- The valve may not be disposed of as household refuse. All locally valid regulations and requirements must be observed.
- When determining the flow rate characteristic of controlled devices, the recognised directives must be observed.

Product features

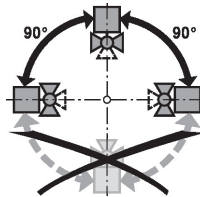
Mode of operation The change-over ball valve is adjusted by a rotary actuator. The rotary actuator is connected by an open/close signal.

Accessories

Electrical accessories	Description	Type
	Stem heater DN 15...50 (20 W)	ZR24-2
Mechanical accessories	Description	Type
	Valve neck extension for ball valve DN 15...50	ZR-EXT-01
	Pipe connector for ball valve DN 15 Rp 1/2	ZR2315
	Pipe connector for ball valve DN 20 Rp 3/4	ZR2320
	Pipe connector for ball valve DN 25 Rp 1	ZR2325
	Pipe connector for ball valve DN 32 Rp 1 1/4	ZR2332
	Pipe connector for ball valve DN 40 Rp 1 1/2	ZR2340
	Pipe connector for ball valve DN 50 Rp 2	ZR2350

Installation notes

Recommended installation positions The ball valve can be installed upright to horizontal. The ball valve may not be installed in a hanging position, i.e. with the stem pointing downwards.

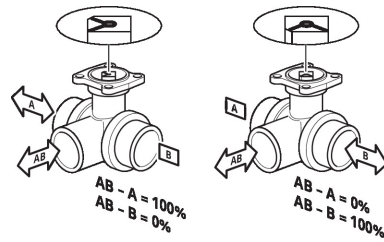
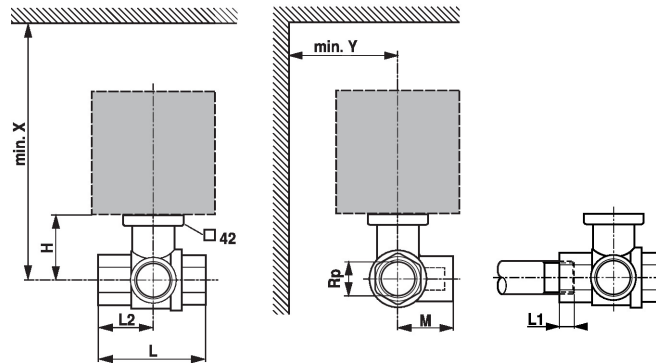


Water quality requirements The water quality requirements specified in VDI 2035 must be adhered to. Belimo valves are regulating devices. For the valves to function correctly in the long term, they must be kept free from particle debris (e.g. welding beads during installation work). The installation of a suitable strainer is recommended.

Servicing Ball valves and rotary actuators are maintenance-free. Before any service work on the final controlling device is carried out, it is essential to isolate the rotary actuator from the power supply (by unplugging the electrical cable if necessary). Any pumps in the part of the piping system concerned must also be switched off and the appropriate slide valves closed (allow all components to cool down first if necessary and always reduce the system pressure to ambient pressure level).

The system must not be returned to service until the ball valve and the rotary actuator have been correctly reassembled in accordance with the instructions and the pipeline has been refilled by professionally trained personnel.

Flow direction Please also ensure that the balls are in the correct position (marking on the spindle).


Dimensions
Dimensional drawings


L1: Maximum screwing depth.

X/Y: Minimum distance with respect to the valve centre.

The actuator dimensions can be found on the respective actuator data sheet.

Type	DN	Rp ["]	L [mm]	L2 [mm]	L1 [mm]	M [mm]	H [mm]	X [mm]	Y [mm]	kg
R3015-BL1	15	1/2	67	36	13	36	44	230	90	0.35
R3020-BL2	20	3/4	78	41	14	41.5	46	235	90	0.47
R3025-BL2	25	1	87	44	16	45	46	235	90	0.61
R3032-BL2	32	1 1/4	105	55	19	55.5	46	240	90	0.90
R3032-BL3	32	1 1/4	105	55	19	55.5	50.5	240	90	0.93
R3040-BL3	40	1 1/2	111	56	19	56	50.5	240	90	1.2
R3040-BL4	40	1 1/2	122	65	19	66.5	62	250	90	1.8
R3050-BL3	50	2	125	65	22	68	56	245	90	1.8
R3050-BL4	50	2	142	75	22	79	68	262	90	2.7

Further documentation

- The complete product range for water applications
- Data sheets for actuators
- Installation instructions for actuators and/or ball valves
- General notes for project planning