

Globe valve, 2-way, Flange, PN 25

- For closed (high temperature) hot water and steam systems in the non-critical range
- For modulating control of air-handling and heating systems on the water side



Type overview

Type	DN	kvs [m ³ /h]	Stroke	PN	n(gl)	Sv min.
H6015XP4-S2	15	0.4	15 mm	25	3	50
H6015XP63-S2	15	0.63	15 mm	25	3	50
H6015X1-S2	15	1	15 mm	25	3	50
H6015X1P6-S2	15	1.6	15 mm	25	3	50
H6015X2P5-S2	15	2.5	15 mm	25	3	50
H6015X4-S2	15	4	15 mm	25	3	50
H6020X4-S2	20	4	15 mm	25	3	100
H6020X6P3-S2	20	6.3	15 mm	25	3	100
H6025X6P3-S2	25	6.3	15 mm	25	3	100
H6025X10-S2	25	10	15 mm	25	3	100
H6032X10-S2	32	10	15 mm	25	3	100
H6032X16-S2	32	16	15 mm	25	3	100
H6040X16-S2	40	16	15 mm	25	3	100
H6040X25-S2	40	25	15 mm	25	3	100
H6050X25-S2	50	25	15 mm	25	3	100
H6050X40-S2	50	40	15 mm	25	3	100

Technical data

Functional data	Fluid	Hot water and steam ($\Delta p/P1 < 0.4$), water with max. 50% volume of glycol
	Fluid temperature	5...150°C
	Fluid temperature note	120°C up to 2500 kPa 150°C up to 2430 kPa
	Flow characteristic	equal percentage (VDI/VDE 2173) n(gl) = 3, optimised in the opening range
	Leakage rate	max. 0.05% of the kvs value
	Closing point	Bottom (▼)
	Pipe connection	Flange PN 25 according to ISO 7005-2
	Installation position	upright to horizontal (in relation to the stem)
	Servicing	maintenance-free
	Materials	Valve body
Body finish		with protective paint
Closing element		Stainless steel
Spindle		Stainless steel
Spindle seal		PTFE V-ring
Seat		Stainless steel

Safety notes



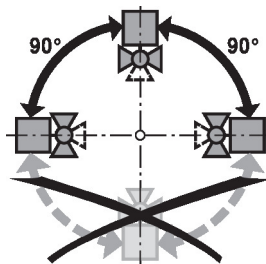
- The valve has been designed for use in stationary heating, ventilation and air-conditioning systems and must not be used outside the specified field of application, especially in aircraft or in any other airborne means of transport.
- Only authorised specialists may carry out installation. All applicable legal or institutional installation regulations must be complied during installation.
- The valve does not contain any parts that can be replaced or repaired by the user.
- The valve may not be disposed of as household refuse. All locally valid regulations and requirements must be observed.
- When determining the flow rate characteristic of controlled devices, the recognised directives must be observed.

Product features

- Mode of operation** The globe valve is adjusted by a globe valve actuator. The actuators are connected by a commercially available modulating or 3-point control system and move the valve cone, which acts as a throttling device, into the opening position dictated by the positioning signal.
- Flow characteristic** An equal percentage flow characteristic is produced by the profile of the valve cone.
- Fluid velocity** Standard values for low-noise operation in HVAC systems are medium velocities of 1...2 m/s. At fluid velocities above 2 m/s, further flow effects as well as cavitation can occur. This can reduce the service life of a valve depending on the situation.

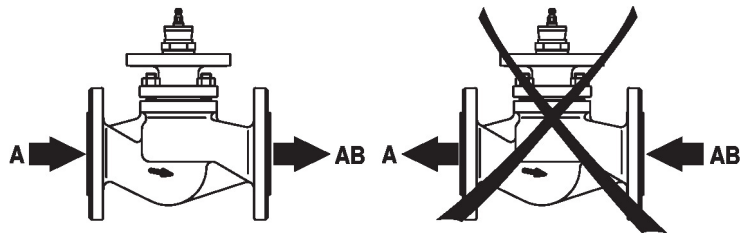
Installation notes

- Recommended installation positions** The globe valve may be mounted upright to horizontal. It is not permissible to mount the globe valves with the stem pointing downwards.



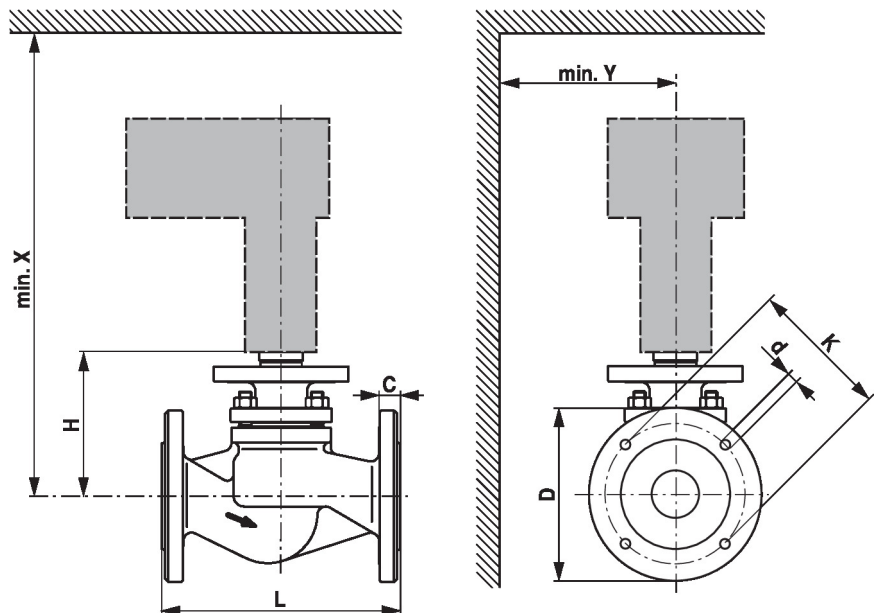
- Water quality requirements** The water quality requirements specified in VDI 2035 must be adhered to. Belimo valves are regulating devices. For the valves to function correctly in the long term, they must be kept free from particle debris (e.g. welding beads during installation work). The installation of a suitable strainer is recommended.
- Servicing** Globe valves and globe valve actuators are maintenance-free. Before any service work on the final controlling device is carried out, it is essential to isolate the globe valve actuator from the power supply (by unplugging the electrical cables if necessary). Any pumps in the part of the piping system concerned must also be switched off and the appropriate slide valves closed (allow all components to cool down first if necessary and always reduce the system pressure to ambient pressure level). The system must not be returned to service until the globe valve and the globe valve actuator have been reassembled correctly in accordance with the instructions and the pipeline has been refilled by professionally trained personnel.

Flow direction The direction of flow, specified by an arrow on the housing, is to be complied with, since otherwise the valve could become damaged.


Differential and close-off pressure


The maximum differential and close-off pressure of globe valves depends on the mounted globe valve actuator. To ensure optimum operation and maximum service life, the maximum differential and close-off pressure in the table below must not be exceeded.

$p_s < 2500 \text{ kPa (PN25)}$ $t = 5 \dots 120^\circ\text{C}$ $p_s < 2430 \text{ kPa (PN25)}$ $t = 121 \dots 150^\circ\text{C}$	LV..A.. 500N	NV..A.. 1000N		SV..A.. 1500N			
		Δp_s [kPa]	Δp_{max} [kPa]	Δp_s [kPa]	Δp_{max} [kPa]	Δp_s [kPa]	Δp_{max} [kPa]
	DN						
H6015XP4-S2	15	2500	1000	2500	1000	2500	1000
H6015XP63-S2	15	2500	1000	2500	1000	2500	1000
H6015X1-S2	15	800	800	2200	1000	2500	1000
H6015X1P6-S2	15	800	800	2200	1000	2500	1000
H6015X2P5-S2	15	800	800	2200	1000	2500	1000
H6015X4-S2	15	800	800	2200	1000	2500	1000
H6020X4-S2	20	800	800	2200	1000	2500	1000
H6020X6P3-S2	20	600	600	1500	1000	2500	1000
H6025X6P3-S2	25	450	450	1300	1000	2100	1000
H6025X10-S2	25	450	450	1300	1000	2100	1000
H6032X10-S2	32	300	300	900	900	1500	1000
H6032X16-S2	32	300	300	900	900	1500	1000
H6040X16-S2	40	140	140	500	500	850	850
H6040X25-S2	40	140	140	500	500	850	850
H6050X25-S2	50	60	60	300	300	500	500
H6050X40-S2	50	60	60	300	300	500	500

Dimensions
Dimensional drawings


X/Y: Minimum distance with respect to the valve centre.

The actuator dimensions can be found on the respective actuator data sheet.

Type	DN	L [mm]	H [mm]	C [mm]	D [mm]	d [mm]	K [mm]	X [mm]	Y [mm]	 kg
H6015XP4-S2	15	130	118	16	95	4 x 14	65	370	100	3.9
H6015XP63-S2	15	130	118	16	95	4 x 14	65	370	100	3.9
H6015X1-S2	15	130	118	16	95	4 x 14	65	370	100	3.9
H6015X1P6-S2	15	130	118	16	95	4 x 14	65	370	100	3.9
H6015X2P5-S2	15	130	118	16	95	4 x 14	65	370	100	3.9
H6015X4-S2	15	130	118	16	95	4 x 14	65	370	100	3.9
H6020X4-S2	20	150	118	18	105	4 x 14	75	370	100	4.9
H6020X6P3-S2	20	150	118	18	105	4 x 14	75	370	100	4.9
H6025X6P3-S2	25	160	126	18	115	4 x 14	85	380	100	6.0
H6025X10-S2	25	160	126	18	115	4 x 14	85	380	100	6.0
H6032X10-S2	32	180	126	18	140	4 x 18	100	380	100	7.5
H6032X16-S2	32	180	126	18	140	4 x 18	100	380	100	7.5
H6040X16-S2	40	200	133	18	150	4 x 18	110	390	100	9.3
H6040X25-S2	40	200	133	18	150	4 x 18	110	390	100	9.3
H6050X25-S2	50	230	139	20	165	4 x 18	125	390	100	12
H6050X40-S2	50	230	139	20	165	4 x 18	125	390	100	12

Further documentation

- The complete product range for water applications
- Data sheets for globe valve actuators
- Installation instructions for valves and/or globe valve actuators
- Notes for project planning 2-way and 3-way globe valves