

Damper actuator for adjusting dampers in technical building installations

- Air damper size up to approx. 2 m<sup>2</sup>
- Torque motor 10 Nm
- Nominal voltage AC/DC 24 V
- Control Open/close, 3-point
- with connecting terminals
- with integrated auxiliary switch


**Technical data**

<b>Electrical data</b>	Nominal voltage	AC/DC 24 V	
	Nominal voltage frequency	50/60 Hz	
	Nominal voltage range	AC 19.2...28.8 V / DC 19.2...28.8 V	
	Power consumption in operation	1.5 W	
	Power consumption in rest position	0.2 W	
	Power consumption for wire sizing	3.5 VA	
	Auxiliary switch	1 x SPDT, 0...100%	
	Switching capacity auxiliary switch	1 mA...3 A (0.5 A inductive), AC 250 V	
	Connection supply / control	Terminals 4 mm <sup>2</sup> (cable Ø4...10 mm, 3-wire)	
	Connection auxiliary switch	Terminals 4 mm <sup>2</sup> (cable Ø4...10 mm, 3-wire)	
Parallel operation	Yes (note the performance data)		
<b>Functional data</b>	Torque motor	10 Nm	
	Direction of motion motor	selectable with switch 0 (ccw rotation) / 1 (cw rotation)	
	Manual override	with push-button, can be locked	
	Angle of rotation	Max. 95°	
	Angle of rotation note	can be limited on both sides with adjustable mechanical end stops	
	Running time motor	150 s / 90°	
	Sound power level, motor	35 dB(A)	
	Mechanical interface	Universal shaft clamp 8...26.7 mm	
	Position indication	Mechanically, pluggable	
	<b>Safety</b>	Protection class IEC/EN	III Safety Extra-Low Voltage (SELV)
Protection class UL		UL Class 2 Supply	
Protection class auxiliary switch IEC/EN		II reinforced insulation	
Degree of protection IEC/EN		IP54	
Degree of protection NEMA/UL		NEMA 2	
Enclosure		UL Enclosure Type 2	
EMC		CE according to 2014/30/EU	
Low voltage directive		CE according to 2014/35/EU	
Certification IEC/EN		IEC/EN 60730-1 and IEC/EN 60730-2-14	
Certification UL		cULus according to UL60730-1A, UL60730-2-14 and CAN/CSA E60730-1:02	
Certification UL note	The UL marking on the actuator depends on the production site, the device is UL-compliant in any case		
	Mode of operation	Type 1.B	
	Rated impulse voltage supply / control	0.8 kV	
	Rated impulse voltage auxiliary switch	2.5 kV	
	Control pollution degree	3	
	Ambient temperature	-30...50 °C	
	Storage temperature	-40...80 °C	
	Ambient humidity	Max. 95% r.H., non-condensing	
	Servicing	maintenance-free	
	<b>Weight</b>	Weight	0.76 kg

**Safety notes**



- The device must not be used outside the specified field of application, especially not in aircraft or in any other airborne means of transport.
- Outdoor application: only possible in case that no (sea) water, snow, ice, insolation or aggressive gases interfere directly with the actuator and that is ensured that the ambient conditions remain at any time within the thresholds according to the data sheet.
- Only authorised specialists may carry out installation. All applicable legal or institutional installation regulations must be complied during installation.
- The device may only be opened at the manufacturer's site. It does not contain any parts that can be replaced or repaired by the user.
- To calculate the torque required, the specifications supplied by the damper manufacturers concerning the cross-section, the design, the installation site and the ventilation conditions must be observed.
- The device contains electrical and electronic components and must not be disposed of as household refuse. All locally valid regulations and requirements must be observed.

**Product features**

<b>Simple direct mounting</b>	Simple direct mounting on the damper shaft with a universal shaft clamp, supplied with an anti-rotation device to prevent the actuator from rotating.
<b>Manual override</b>	Manual override with push-button possible (the gear is disengaged for as long as the button is pressed or remains locked).
<b>Adjustable angle of rotation</b>	Adjustable angle of rotation with mechanical end stops.
<b>High functional reliability</b>	The actuator is overload protected, requires no limit switches and automatically stops when the end stop is reached.
<b>Flexible signalization</b>	With adjustable auxiliary switch (0...100%)

**Accessories**

	Description	Type
<b>Electrical accessories</b>	Auxiliary switch 1 x SPDT add-on	S1A
	Auxiliary switch 2 x SPDT add-on	S2A
	Feedback potentiometer 140 Ω add-on	P140A
	Feedback potentiometer 140 Ω add-on, grau	P140A GR
	Feedback potentiometer 200 Ω add-on	P200A
	Feedback potentiometer 500 Ω add-on	P500A
	Feedback potentiometer 500 Ω add-on, grau	P500A GR
	Feedback potentiometer 1 kΩ add-on	P1000A
	Feedback potentiometer 1 kΩ add-on, grau	P1000A GR
	Feedback potentiometer 2.8 kΩ add-on	P2800A
	Feedback potentiometer 2.8 kΩ add-on, grau	P2800A GR
	Feedback potentiometer 5 kΩ add-on	P5000A
	Feedback potentiometer 5 kΩ add-on, grau	P5000A GR
	Feedback potentiometer 10 kΩ add-on	P10000A
	Feedback potentiometer 10 kΩ add-on, grau	P10000A GR
<b>Mechanical accessories</b>	<b>Description</b>	<b>Type</b>
	Actuator arm for standard shaft clamp (one-sided)	AH-25
	Shaft extension 240 mm Ø20 mm for damper shaft Ø 8...22.7 mm	AV8-25
	Ball joint suitable for damper crank arm KH8	KG8
	Ball joint suitable for damper crank arm KH8 / KH10	KG10A
	Damper crank arm Slot width 8.2 mm, clamping range Ø10...18 mm	KH8
	Shaft clamp one-sided, clamping range Ø8...26 mm with insert, Multipack 20 pcs.	K-ENMA
	Shaft clamp one-sided, clamping range Ø8...26 mm, Multipack 20 pcs.	K-ENSA
	Shaft clamp reversible, clamping range Ø8...20 mm, Multipack 20 pcs.	K-NA

Accessories

Description

Type

Form fit insert 8x8 mm, Multipack 20 pcs.	ZF8-NMA
Form fit insert 10x10 mm, Multipack 20 pcs.	ZF10-NSA
Form fit insert 12x12 mm, Multipack 20 pcs.	ZF12-NSA
Form fit insert 15x15 mm, Multipack 20 pcs.	ZF15-NSA
Form fit insert 16x16 mm, Multipack 20 pcs.	ZF16-NSA
Mounting kit for linkage operation for flat installation	ZG-NMA
Anti-rotation mechanism 180 mm, Multipack 20 pcs.	Z-ARS180
Base plate extension for NM..A to NM.., Multipack 20 pcs.	Z-NMA
Position indicator, Multipack 20 pcs.	Z-PI
Terminal protection IP54, Multipack 20 pcs.	Z-TP

Electrical installation

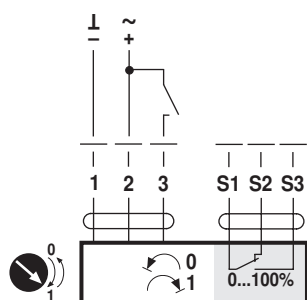


Notes

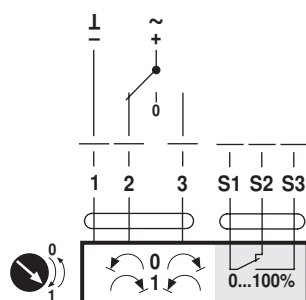
- Connection via safety isolating transformer.
- Parallel connection of other actuators possible. Observe the performance data.

Wiring diagrams

AC/DC 24 V, open/close

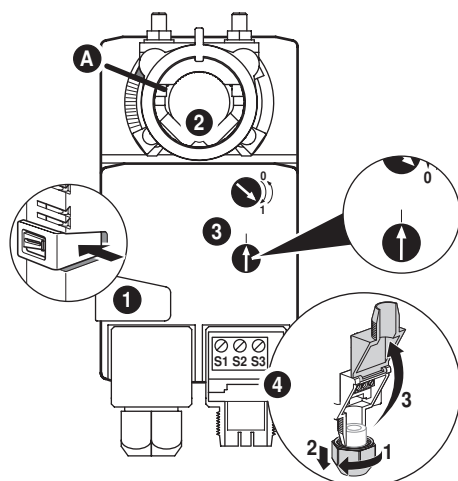


AC/DC 24 V, 3-point



Operating controls and indicators

Auxiliary switch settings



Note: Perform settings on the actuator only in deenergised state.

- 1 Gear disengagement**  
Holding button pressed down: Gear is disengaged.  
Manual override is possible.
- 2 Spindle clamp**  
Turn until edge line **A** displays the desired switching position of the actuator and release button **1**.
- 3 Auxiliary switch**  
Turn rotary knob until the arrow points to the vertical line.
- 4 Terminal connection**  
Connect continuity tester to S1 + S2 or to S1 + S3.  
If the auxiliary switch should switch in the opposite direction, rotate the auxiliary switch by 180°.

**Dimensions [mm]**

**Spindle length**

	Min. 40
	Min. 20

**Clamping range**

	8...26.7	≥8	≤26.7
	8...20	≥8	≤20

\*Option: Shaft clamp mounted below (accessories K-NA needed)

**Dimensional drawings**

