

Damper actuator for adjusting dampers in technical building installations

- Air damper size up to approx. 1 m²
- Torque motor 5 Nm
- Nominal voltage AC 230 V
- Control Open/close, 3-point
- with connecting terminals
- with integrated auxiliary switch


Technical data

| | | |
|--|-------------------------------------|---|
| Electrical data | Nominal voltage | AC 230 V |
| | Nominal voltage frequency | 50/60 Hz |
| | Nominal voltage range | AC 85...264 V |
| | Power consumption in operation | 1.5 W |
| | Power consumption in rest position | 0.5 W |
| | Power consumption for wire sizing | 3.5 VA |
| | Auxiliary switch | 1 x SPDT, 0...100% |
| | Switching capacity auxiliary switch | 1 mA...3 A (0.5 A inductive), AC 250 V |
| | Connection supply / control | Terminals 4 mm ² (cable Ø4...10 mm, 3-wire) |
| | Connection auxiliary switch | Terminals 4 mm ² (cable Ø4...10 mm, 3-wire) |
| Parallel operation | Yes (note the performance data) | |
| Functional data | Torque motor | 5 Nm |
| | Direction of motion motor | selectable with switch 0 (ccw rotation) / 1 (cw rotation) |
| | Manual override | with push-button, can be locked |
| | Angle of rotation | Max. 95° |
| | Angle of rotation note | can be limited on both sides with adjustable mechanical end stops |
| | Running time motor | 150 s / 90° |
| | Sound power level, motor | 35 dB(A) |
| | Mechanical interface | Universal shaft clamp 6...20 mm |
| | Position indication | Mechanically, pluggable |
| | Safety | Protection class IEC/EN |
| Protection class UL | | II reinforced insulation |
| Protection class auxiliary switch IEC/EN | | II reinforced insulation |
| Degree of protection IEC/EN | | IP54 |
| Degree of protection NEMA/UL | | NEMA 2 |
| Enclosure | | UL Enclosure Type 2 |
| EMC | | CE according to 2014/30/EU |
| Low voltage directive | | CE according to 2014/35/EU |
| Certification IEC/EN | | IEC/EN 60730-1 and IEC/EN 60730-2-14 |
| Certification UL | | cULus according to UL60730-1A, UL60730-2-14 and CAN/CSA E60730-1:02 |
| Certification UL note | | The UL marking on the actuator depends on the production site, the device is UL-compliant in any case |
| Mode of operation | | Type 1.B |
| Rated impulse voltage supply / control | | 2.5 kV |
| Rated impulse voltage auxiliary switch | | 2.5 kV |
| Control pollution degree | | 3 |
| Ambient temperature | -30...50 °C | |
| Storage temperature | -40...80 °C | |
| Ambient humidity | Max. 95% r.H., non-condensing | |
| Servicing | maintenance-free | |
| Weight | Weight | 0.49 kg |

Safety notes



- The device must not be used outside the specified field of application, especially not in aircraft or in any other airborne means of transport.
- Outdoor application: only possible in case that no (sea) water, snow, ice, insolation or aggressive gases interfere directly with the actuator and that is ensured that the ambient conditions remain at any time within the thresholds according to the data sheet.
- Caution: Power supply voltage!
- Only authorised specialists may carry out installation. All applicable legal or institutional installation regulations must be complied during installation.
- The device may only be opened at the manufacturer's site. It does not contain any parts that can be replaced or repaired by the user.
- To calculate the torque required, the specifications supplied by the damper manufacturers concerning the cross-section, the design, the installation site and the ventilation conditions must be observed.
- The device contains electrical and electronic components and must not be disposed of as household refuse. All locally valid regulations and requirements must be observed.

Product features

| | |
|-------------------------------------|---|
| Simple direct mounting | Simple direct mounting on the damper shaft with a universal shaft clamp, supplied with an anti-rotation device to prevent the actuator from rotating. |
| Manual override | Manual override with push-button possible (the gear is disengaged for as long as the button is pressed or remains locked). |
| Adjustable angle of rotation | Adjustable angle of rotation with mechanical end stops. |
| High functional reliability | The actuator is overload protected, requires no limit switches and automatically stops when the end stop is reached. |
| Flexible signalization | With adjustable auxiliary switch (0...100%) |

Accessories

| | Description | Type |
|---|---|-------------|
| Electrical accessories | Auxiliary switch 1 x SPDT add-on | S1A |
| | Auxiliary switch 2 x SPDT add-on | S2A |
| | Auxiliary switch 2 x SPDT add-on, grau | S2A/300 GR |
| | Auxiliary switch 2 x SPDT add-on, grau | S2A/500 GR |
| | Feedback potentiometer 140 Ω add-on | P140A |
| | Feedback potentiometer 140 Ω add-on, grau | P140A GR |
| | Feedback potentiometer 200 Ω add-on | P200A |
| | Feedback potentiometer 500 Ω add-on | P500A |
| | Feedback potentiometer 500 Ω add-on, grau | P500A GR |
| | Feedback potentiometer 1 kΩ add-on | P1000A |
| | Feedback potentiometer 1 kΩ add-on, grau | P1000A GR |
| | Feedback potentiometer 2.8 kΩ add-on | P2800A |
| | Feedback potentiometer 2.8 kΩ add-on, grau | P2800A GR |
| | Feedback potentiometer 5 kΩ add-on | P5000A |
| | Feedback potentiometer 5 kΩ add-on, grau | P5000A GR |
| | Feedback potentiometer 10 kΩ add-on | P10000A |
| | Feedback potentiometer 10 kΩ add-on, grau | P10000A GR |
| Mechanical accessories | Description | Type |
| | Shaft extension 170 mm Ø10 mm for damper shaft Ø 6...16 mm | AV6-20 |
| | Shaft clamp one-sided, clamping range Ø6...20 mm, Multipack 20 pcs. | K-ELA |
| | Shaft clamp one-sided, clamping range Ø6...10 mm, Multipack 20 pcs. | K-ELA10 |
| | Shaft clamp one-sided, clamping range Ø6...13 mm, Multipack 20 pcs. | K-ELA13 |
| | Shaft clamp one-sided, clamping range Ø6...16 mm, Multipack 20 pcs. | K-ELA16 |
| Anti-rotation mechanism 180 mm, Multipack 20 pcs. | Z-ARS180 | |

Accessories

| Description | Type |
|---|------------|
| Form fit insert 8x8 mm, Multipack 20 pcs. | ZF8-LMA |
| Form fit insert 10x10 mm, Multipack 20 pcs. | ZF10-LMA |
| Form fit insert 12x12 mm, Multipack 20 pcs. | ZF12-LMA |
| Form fit insert 8x8 mm, with angle of rotation limiter and position indication, Multipack 20 pcs. | ZFRL8-LMA |
| Form fit insert 10x10 mm, with angle of rotation limiter and position indication, Multipack 20 pcs. | ZFRL10-LMA |
| Form fit insert 12x12 mm, with angle of rotation limiter and position indication, Multipack 20 pcs. | ZFRL12-LMA |
| Position indicator, Multipack 20 pcs. | Z-PI |

Electrical installation

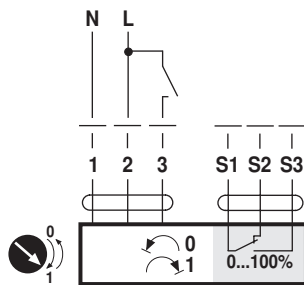


Notes

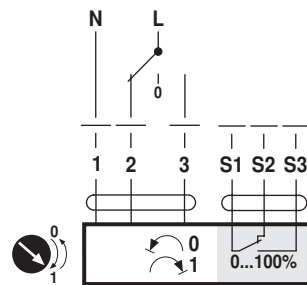
- Caution: Power supply voltage!
- Parallel connection of other actuators possible. Observe the performance data.

Wiring diagrams

AC 230 V, open/close

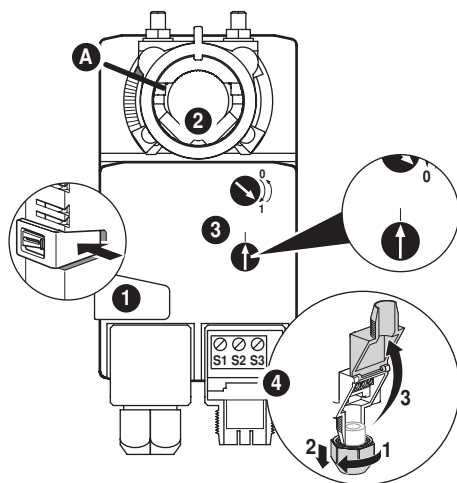


AC 230 V, 3-point



Operating controls and indicators

Auxiliary switch settings



Note: Perform settings on the actuator only in deenergised state.

- 1 Gear disengagement**
Holding button pressed down: Gear is disengaged.
Manual override is possible.
- 2 Spindle clamp**
Turn until edge line **A** displays the desired switching position of the actuator and release button **1**.
- 3 Auxiliary switch**
Turn rotary knob until the arrow points to the vertical line.
- 4 Terminal connection**
Connect continuity tester to S1 + S2 or to S1 + S3.
If the auxiliary switch should switch in the opposite direction, rotate the auxiliary switch by 180°.

Dimensions [mm]

Spindle length

| | |
|--|---------|
| | Min. 37 |
| | - |

Clamping range

| | | |
|--------|----|-----|
| | | |
| 6...20 | ≥6 | ≤20 |

Dimensional drawings

