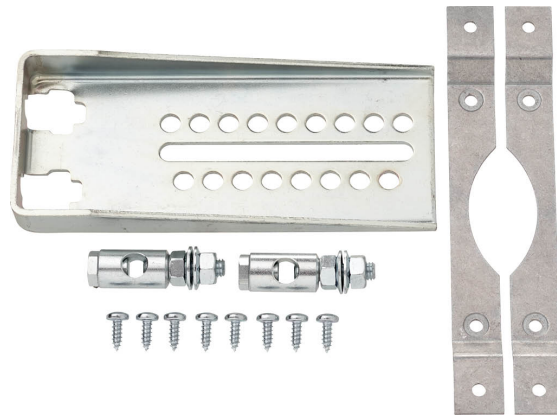


Mounting kit for linkage operation

• for flat installation



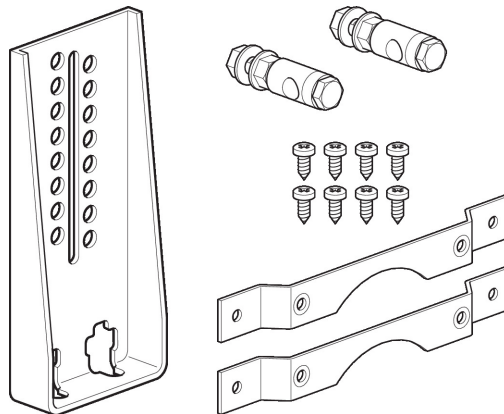
### Technical data

<b>Weight</b>	Weight	0.59 kg
---------------	--------	---------

### Product features

**Used materials** Galvanised steel

**Application** Suitable for GK..A, GM..A, SMQ..A



## Dimensions

## Dimensional drawings

