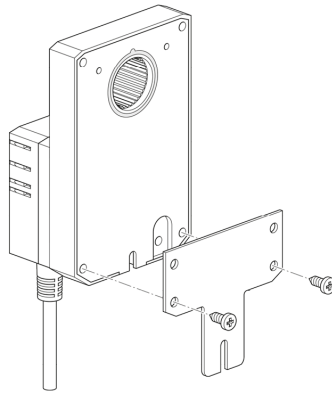


Base plate extension

- for SM..A to SM../AM../SMD24R



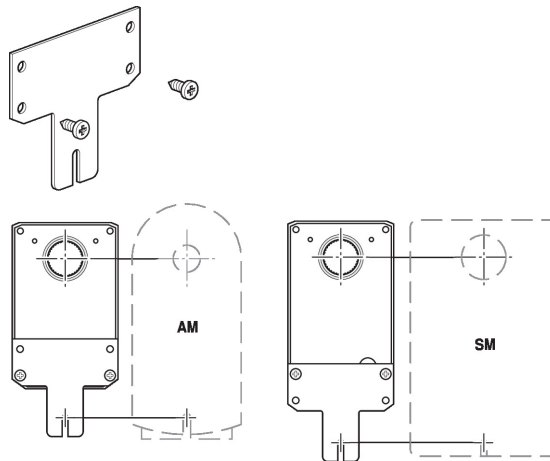
Technical data

Weight	Weight	0.075 kg
--------	--------	----------

Product features

Used materials Galvanised steel

Application Suitable for SM..A, SMC..A, SMD..A



Dimensions

Dimensional drawings

