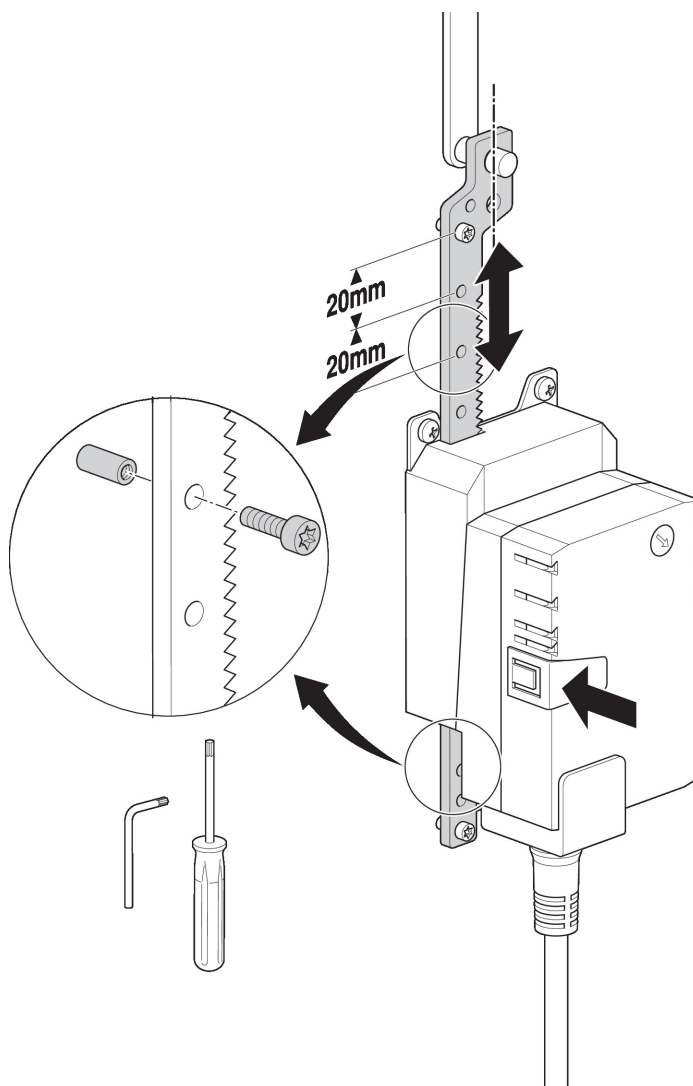


**Technical data**

Weight	Weight	0.001 kg
	Packaging quantity	Multipack 20 pcs.

Product features

Used materials	Stainless steel Galvanised steel
Application	Suitable for LH..A, LHK..A, LHQ..A, CH..



Dimensions

Dimensional drawings

