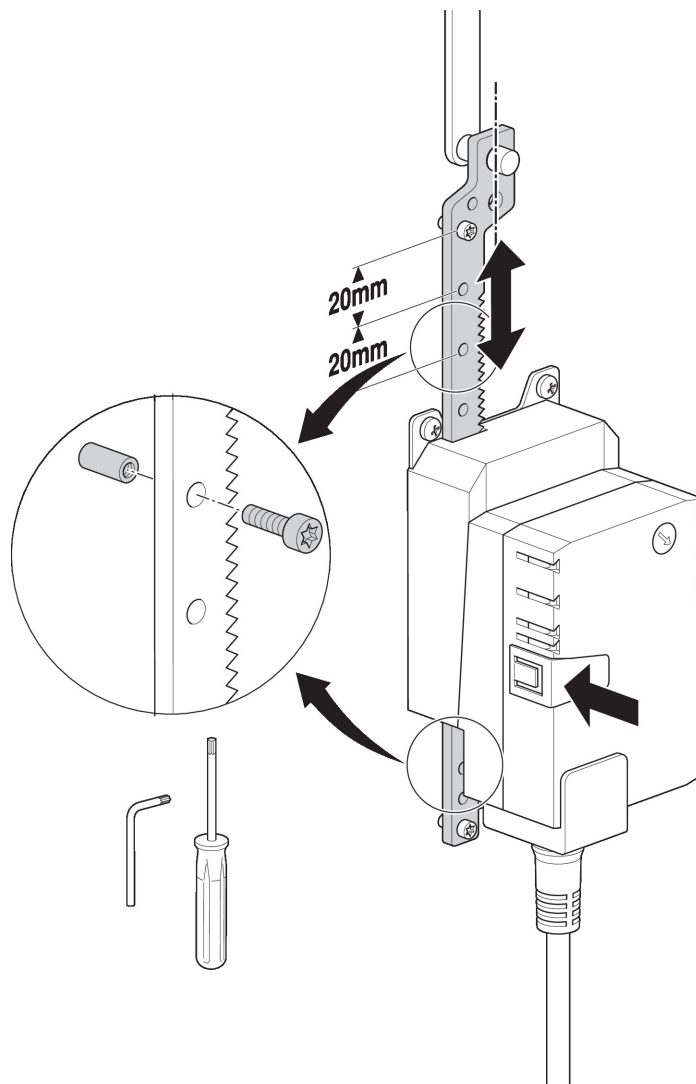


**Technical data**

Weight	Weight	0.001 kg
	Packaging quantity	Multipack 20 pcs.

Product features

Used materials	Stainless steel Galvanised steel
Application	Suitable for SH..A, SHK..A, SHQ..A



Dimensions

Dimensional drawings

