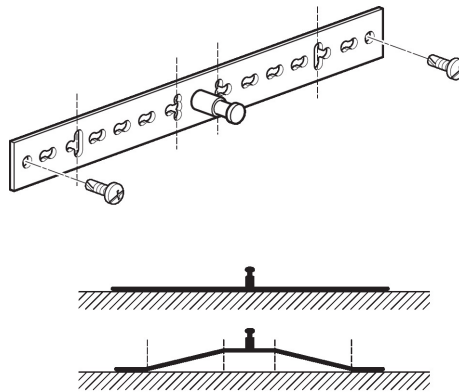


Technical data

Weight	Weight	0.050 kg
	Packaging quantity	Multipack 20 pcs.

Product features

Used materials	Galvanised steel
Application	Suitable for LF..



Dimensions

Dimensional drawings

