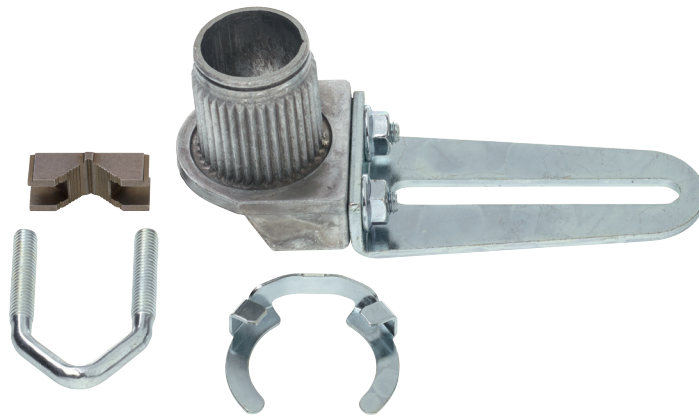


**Damper crank arm for NF..A / SF..A**

- for 3/4" spindles
- (round spindles clamping range 10...22 mm)

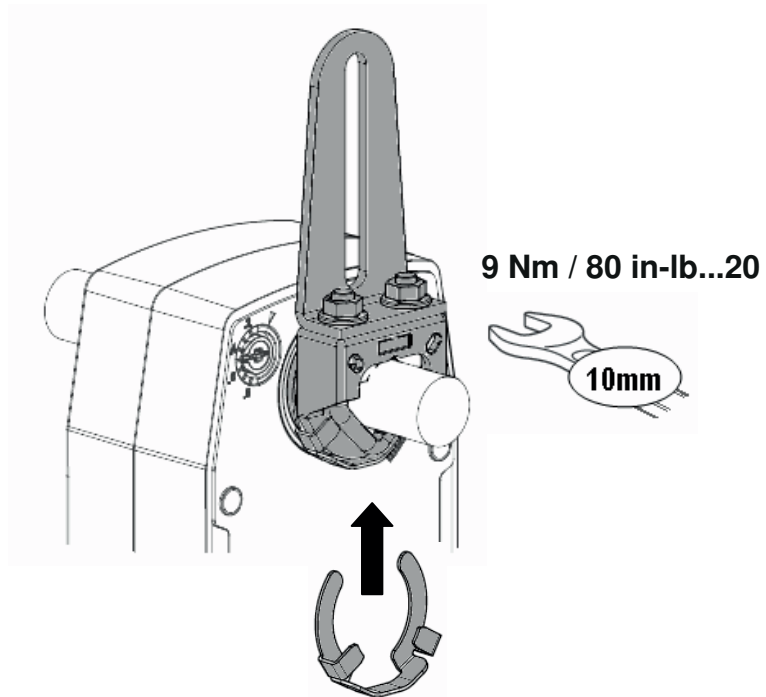





**Technical data**

<b>Weight</b>	Weight	0.21 kg
	Packaging size	Single-pack

**Product features**

<b>Used materials</b>	Zinc die-cast
	Galvanised steel
<b>Application</b>	Suitable for NF..A, SF..A



			
mm	10...20 <sup>1)</sup>	≥ 10	≤ 20
inch	3/8...3/4 <sup>1)</sup>	≥ 3/8	≤ 3/4

<sup>1)</sup>CrNi (INOX) 12...20 / 1/2" ...3/4"

Dimensions [mm]

Dimensional drawings

