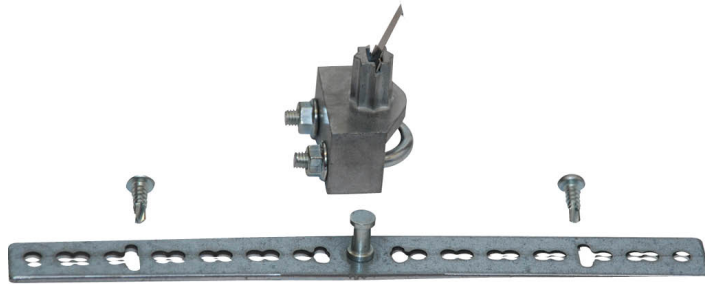


Shaft clamp

- for TM/LM..A..-F.. with form fit 8x8 mm
- clamping range Ø8...12 mm



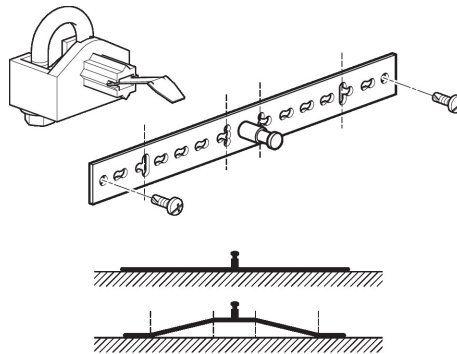
Technical data

Weight Weight 0.11 kg

Product features

Used materials Die cast zinc
Galvanised steel

Application



Dimensions

Dimensional drawings

